

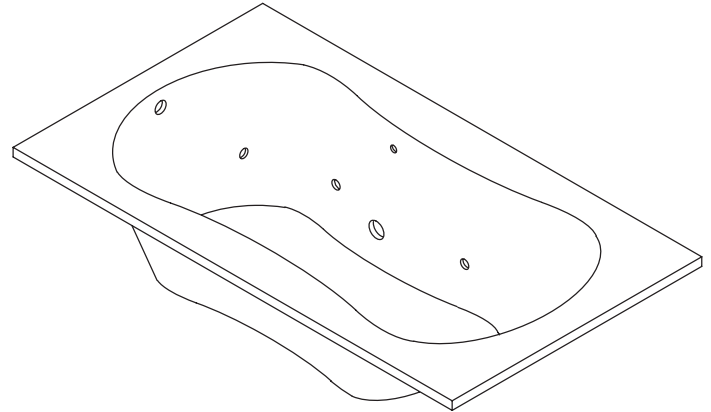
FEATURES

- 60" (152.4cm) x 32" (76.2cm) x 18-1/8" (46cm)
- Acrylic
- Drop-in rim style
- 6 individually adjustable multi-directional hydro-massage jets
- 1-1/4 HP pump with air switch and cord with plug
- Molded lumbar supports and armrests

CODES/STANDARDS APPLICABLE

Specified model meets or exceeds the following:

- ASME/ANSI A112.19.7M
- ANSI Z124.1
- IAPMO/UPC
- Underwriters Laboratories (UL)
- State of Massachusetts



COLORS/FINISHES

- 0 White
- Other Refer to Fixtures Price Book for additional colors

Accessories:

- CP Polished Chrome

SPECIFIED MODEL:

Model	Description	Colors/Finishes	
K-1106-CN	Whirlpool, drop-in rim style, custom pump	<input type="checkbox"/> 0 White	<input type="checkbox"/> Other _____
Recommended Accessories			
K-11677	Drain		<input type="checkbox"/> CP
Optional Accessories			
K-1284	Removable apron	<input type="checkbox"/> 0 White	<input type="checkbox"/> Other _____
K-1639	Timer Kit		<input type="checkbox"/> NA

PRODUCT SPECIFICATION:

The bath whirlpool shall be 60" (152.4cm) in length, 32" (76.2cm) in width, and 18-1/8" (46cm) in height. Bath whirlpool shall be made of acrylic and drop-in rim style. Bath whirlpool shall have 6 individually adjustable multi-directional hydro-massage jets, 1-1/4 HP pump with air switch and cord with plug. Bath whirlpool shall have molded lumbar supports and armrests. Bath whirlpool shall be UL listed. Bath whirlpool shall be Kohler Model K-1106-CN-_____.

PROFLEX™ 6032

PRODUCT INFORMATION

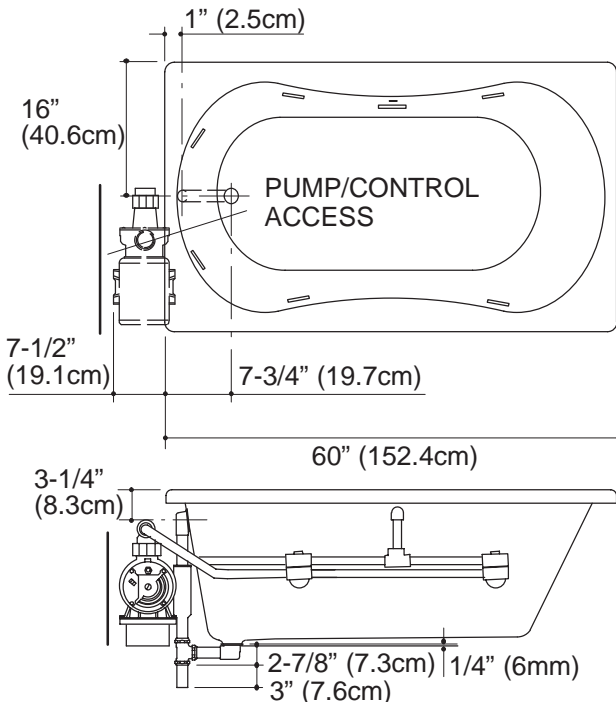
Fixture*:	basin area	top area	weight	
Bathing well	46" (116.8cm) x 20" (50.8cm)	55" (139.7cm) x 22" (55.9cm)	49 lbs. (22 kg)	
	water depth	capacity		
To overflow	12-1/2" (31.8cm)	49 gal. (185 L)		
* Approximate measurements for comparison only.				
Pump:	HP	V	Hz	A
1-speed	1-1/4	120	60	7.5

REQUIRED ELECTRICAL SERVICE

Dedicated circuit required, protected with Class A Ground-Fault Circuit-Interrupter (GFCI):	
Pump/control	120 V., 15 A, 60 Hz
Locate the outlet behind the whirlpool and within 24" (61cm) of the pump.	

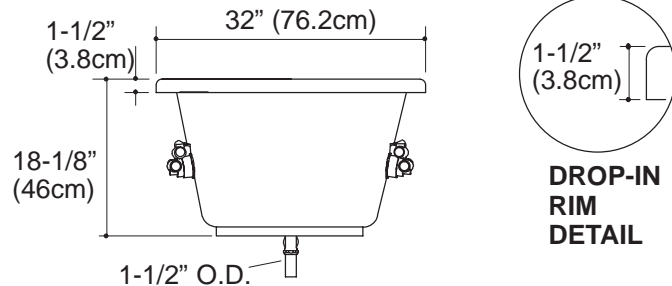
INSTALLATION NOTES

Floor support under whirlpool must provide for a minimum of 80 lbs./square foot (390 Kg./square meter) loading.
The apron must be installed before the finish floor and wall materials are installed.



1.25>132

No change in measurements if connected with drain illustrated. (K-11677 or K-11677M)		
Cut-out	58-1/2" (148.6cm) x 30-1/2" (77.5cm)	
Minimum access panel:		
Pump/control	20" (50.8cm) W x 15" (38.1cm) H	required



PRODUCT DIAGRAM