

### Features

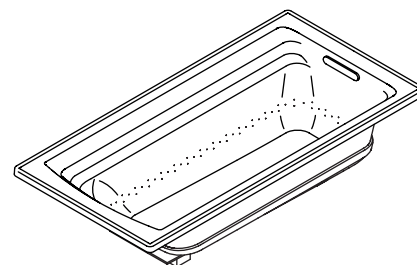
- Acrylic
- 1 hp blower motor with 300 W heater, and electronic user control
- Blower motor is supplied with a grounding-type plug-in cord
- 120 BubbleMassage™ airjets
- Slotted overflow for maximum bathing depth
- Low threshold height
- Integral lumbar support
- Armrests
- 72" (182.9 cm) x 36" (91.4 cm) x 19" (48.3 cm)

### Codes/Standards Applicable

Specified model meets or exceeds the following:

- ANSI Z124.1.2
- IAPMO/UPC IGC 171
- Underwriters Laboratories (UL)

## 6' (1.8 m) BUBBLEMASSAGE™ BATH WITH AIRJETS K-1124-G



### Colors/Finishes

- 0: White
- Other: Refer to Price Book for additional colors/finishes

### Accessories:

- 0: White
- CP: Polished Chrome
- Other: Refer to Price Book for additional colors/finishes

### Specified Model

Model	Description	Colors/Finishes	
K-1124-G	6' (1.8 m) BubbleMassage™ bath with airjets	<input type="checkbox"/> 0	<input type="checkbox"/> Other_____
<b>Required Accessories</b>			
K-7272	Bath drain	<input type="checkbox"/> CP	<input type="checkbox"/> Other_____
<b>Recommended Accessories</b>			
K-1446	Remote blower installation kit	NA	
<b>Optional Accessories</b>			
K-9529	Removable bath seat	<input type="checkbox"/> 0	

### Product Specification

The bath with airjets shall be 72" (182.9 cm) in length, 36" (91.4 cm) in width, and 19" (48.3 cm) in height. Bath shall be made of acrylic. Bath shall have a 1 hp blower motor with 300 W heater and an electronic user control. Bath shall have 120 BubbleMassage™ airjets. The blower motor shall have a grounding-type plug-in cord. Bath shall have slotted overflow for maximum bathing depth, low threshold height, and integral lumbar support. Bath shall have armrests. The bath with airjets shall be Kohler Model K-1124-G-\_\_\_\_\_.

# ARCHER™

## Technical Information

Fixture*:	basin area	top area	weight
Bathing well	51-3/8" (130.5 cm) x 21" (53.3 cm)	64-1/2" (163.8 cm) x 30-1/2" (77.5 cm)	100 lbs (45.4 kg)
To overflow	water depth	capacity	
	15" (38.1 cm)	72 gal (273 L)	

\* Approximate measurements for comparison only.

Blower motor:	Heater	V	Hz	A
1 hp	300 W	120	60	5

## Required Electrical Service

Dedicated circuit required, protected with Class A Ground-Fault Circuit-Interrupter (GFCI):

Blower motor: 120 V, 15 A, 60 Hz

Blower motor is supplied with a 24" (61 cm) grounding-type plug-in cord.

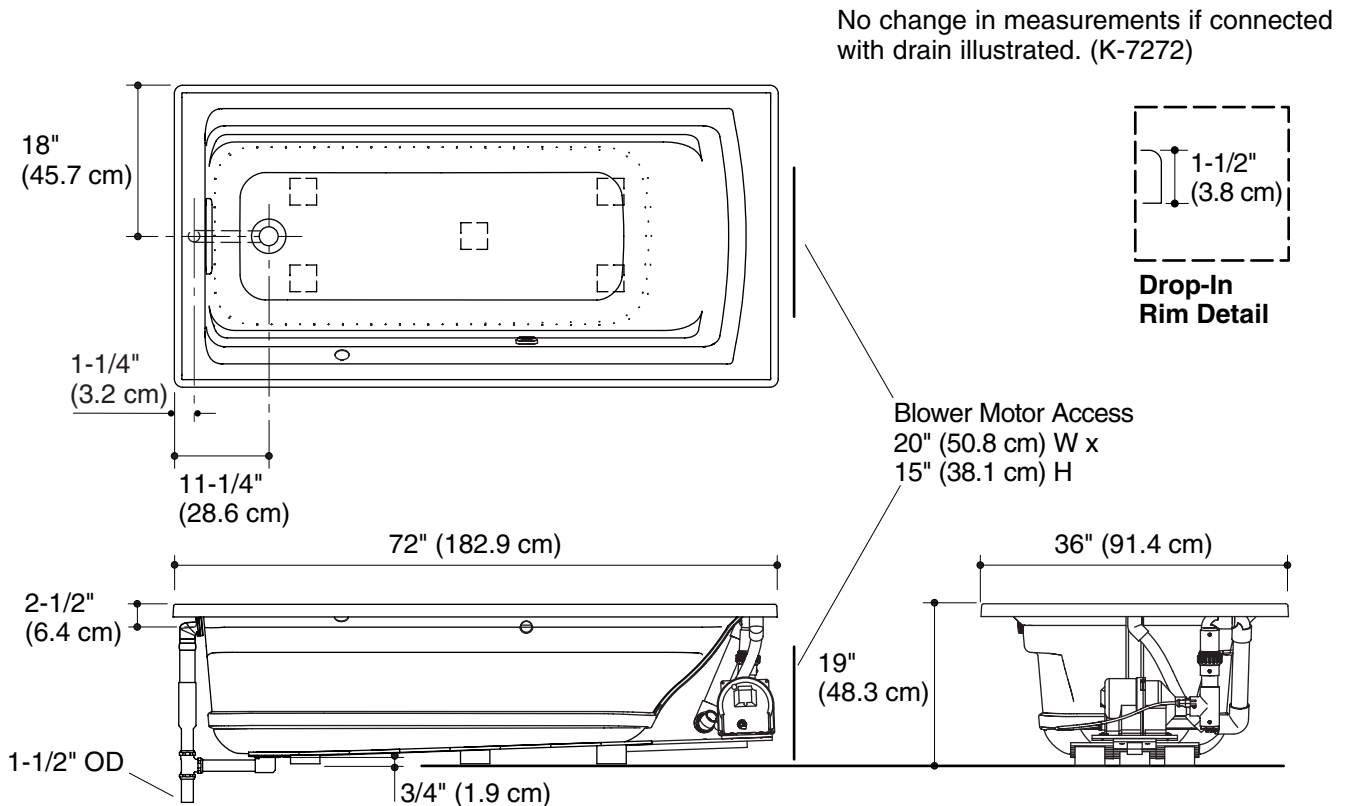
## Installation Notes

Install this product according to the installation guide.

Floor support under this product must provide for a minimum of 52 lbs/square foot (254 kg/square meter) loading.

The hot water supply should be 70% of the capacity of the bath or greater. Installations will vary.

A blower motor access panel is required.



## Product Diagram

ARCHER™ 6' (1.8 m) BUBBLEMASSAGE™ BATH WITH AIRJETS

Page 2 of 2  
1071368-4-A

THE BOLD LOOK  
OF **KOHLER**®