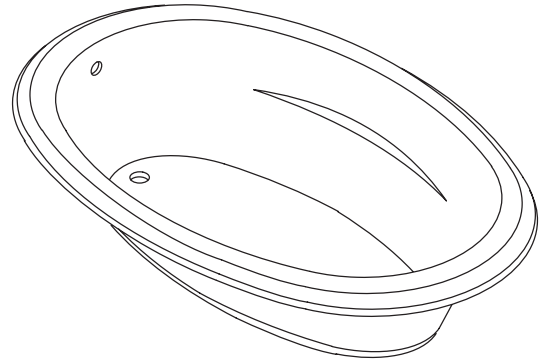


FEATURES

- 60" (152.4cm) x 40" (101.6cm) x 17-5/8" (44.8cm)
- Acrylic
- Oval shape
- Molded lumbar supports and armrests



CODES/STANDARDS APPLICABLE

Specified model meets or exceeds the following:

- ANSI Z124.1
- CABO/ANSI A117.1
- IAPMO/UPC
- State of Massachusetts

COLORS/FINISHES

- 0 White
- Other Refer to Fixtures Price Book for additional colors

Accessories:

- CP Polished Chrome

SPECIFIED MODEL:

Model	Description	Colors/Finishes	
K-1147	60" (152.4cm) Proflex Oval bath	<input type="checkbox"/> 0 White	<input type="checkbox"/> Other _____
Required Accessories			
K-11677	Drain	<input type="checkbox"/> CP	

PRODUCT SPECIFICATION:

The oval shaped bath shall be 60" (152.4cm) in length, 40" (101.6cm) in width, and 17-5/8" (44.8cm) in height. Bath shall be made of acrylic. Bath shall have molded lumbar supports and armrests. Bath shall be Kohler Model K-1147_____.

PROFLEX™ 6040 OVAL

PRODUCT INFORMATION

Fixture*:	basin area	top area	weight
Bathing well	46" (116.8cm) x 19" (48.3cm)	55" (139.7cm) x 29" (73.7cm)	46 lbs. (20.9kg)
	water depth	capacity	
To overflow	14" (35.6cm)	54 gal. (204.4L)	

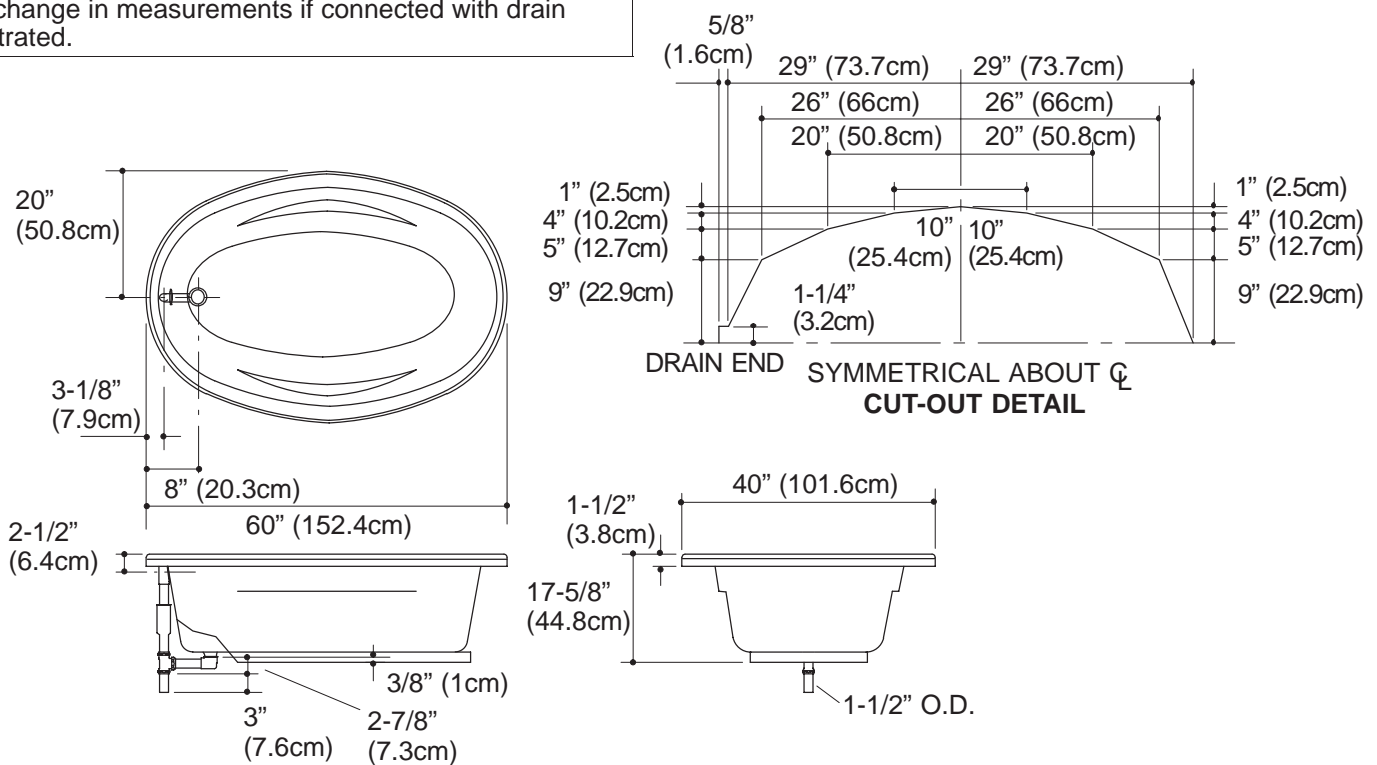
* Approximate measurements for comparison only.

Included Components:	
Cutout template	114859-7

INSTALLATION NOTES

Floor support under bath must provide for a minimum of 80 lbs./square foot (390 Kg./square meter) loading.

No change in measurements if connected with drain illustrated.



132

PRODUCT DIAGRAM