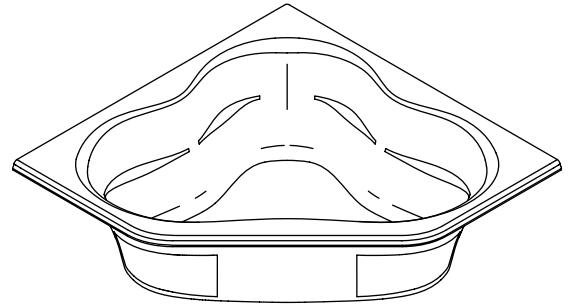


Features

- Acrylic
- Molded lumbar supports and armrests
- Drop-in or corner alcove
- 60" (152.4 cm) x 60" (152.4 cm) x 21" (53.3 cm)

CORNER ACRYLIC BATH

K-1161
ALSO K-1161-F



Codes/Standards Applicable

Specified model meets or exceeds the following:

- ANSI Z124.1
- IAPMO/UPC

Colors/Finishes

- 0: White
- Other: Refer to Price Book for additional colors/finishes

Accessories:

- CP: Polished Chrome
- PB: Polished Brass

Specified Model

Model	Description	Colors/Finishes	
K-1161	Bath, drop-in (shown)	<input type="checkbox"/> 0 White	<input type="checkbox"/> Other_____
K-1161-F	Bath, tile flange	<input type="checkbox"/> 0 White	<input type="checkbox"/> Other_____
Recommended Accessory			
K-11677	Drain	<input type="checkbox"/> CP	
Optional Accessory			
K-1491	Pillow	<input type="checkbox"/> 0 White	<input type="checkbox"/> Other_____

Product Specification:

The bath shall be 60" (152.4 cm) x 60" (152.4 cm) x 21" (53.3 cm). Bath shall be made of acrylic. Bath shall be drop-in or corner alcove installation. Bath shall have molded lumbar supports and armrests. Bath shall have optional K-1491 removable pillow. Bath shall be Kohler Model K-1161-____-____.

TERCET™

Technical Information

Fixture*:	basin area	top area	weight
Bathing well	52" (132.1 cm) x 38-3/4" (98.4 cm)	61" (154.9 cm) x 46-1/4" (117.5 cm)	91lbs. (41.3 kg)
	water depth	capacity	
To overflow	15" (38.1 cm)	96 gal. (363.6 L)	

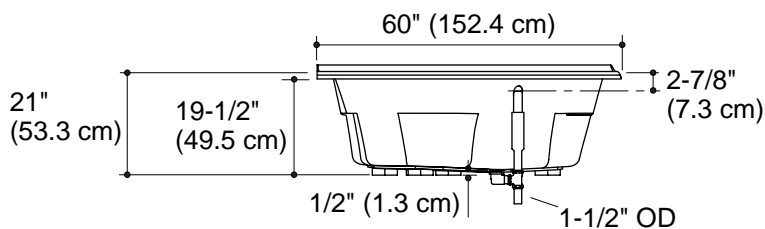
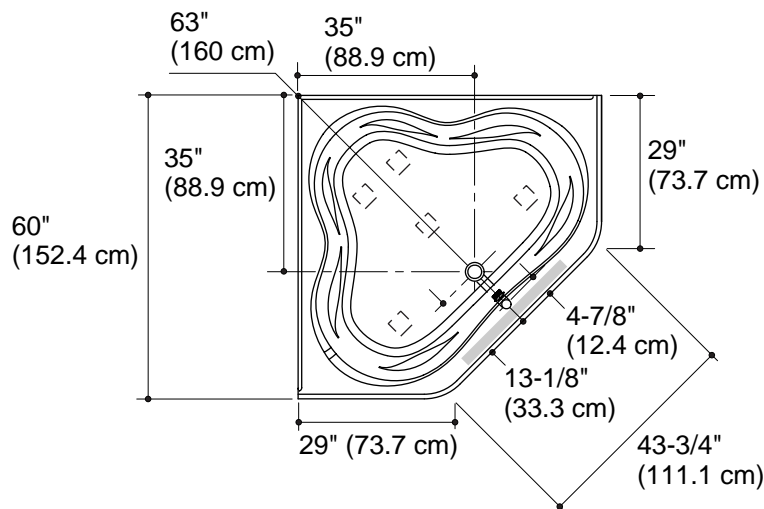
* Approximate measurements for comparison only.

Installation Notes

Install this product according to the installation guide.

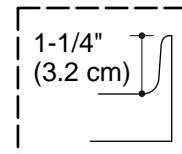
Floor support under bath must provide for a minimum of 80 lbs./square foot (390 kg/square meter) loading.

No change in measurements if connected with drain illustrated (K-11677 or K11677M).

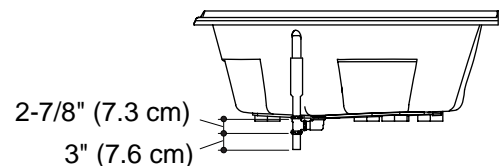


No change in measurements if connected with drain illustrated. (K-11677 or K-11677M)

Recommended faucet area



Tile Flange Detail



Product Diagram