

Installation Guide

Bath Whirlpool with Custom Pump

K-1014, K-1158, K-1170,
K-1368, K-1375, K-1418,
K-1433, K-1457, K-1477,
K-1487, K-1496

M product numbers are for Mexico (i.e. K-12345**M**)
Los números de productos seguidos de **M** corresponden a México
(Ej. K-12345**M**)
Français, page "Français-1"
Español, página "Español-1"

THE BOLD LOOK
OF **KOHLER**®

Important Information



WARNING: When using electrical products, basic precautions should always be followed, including the following:



DANGER: Risk of electric shock. Connect only to circuits protected by a Ground-Fault Circuit-Interrupter (GFCI) or Residual Current Device (RCD).

Building materials and wiring should be routed away from the pump body and other heat-producing components of the unit.

Install to permit access for servicing.

A pressure wire connector marked "Earth/Ground" is provided within the wiring compartment. To reduce the risk of electric shock, connect this connector to the grounding terminal of your electric service or supply panel with copper wire equivalent in size to the circuit conductor supplying this equipment.

Pressure wire connectors are provided on the exterior of the junction box or control within this unit to permit connection of a bonding conductor between this unit and all other exposed metal in the vicinity, as needed to comply with local requirements.

Grounding is required. The unit should be installed by a qualified service representative, and grounded.



WARNING: Risk of electric shock. A licensed electrician should make all electrical connections.



WARNING: Risk of electric shock. Disconnect power before servicing.



WARNING: Risk of injury or property damage. Please read all instructions thoroughly before beginning installation, including the following requirements.

NOTICE: Follow all local plumbing and electrical codes.

Product Information

Electrical Requirements

The installation must have a Class A Ground-Fault Circuit-Interrupter (GFCI) or Residual Current Device (RCD). The GFCI or RCD protect against line-to-ground shock hazard. **Use a 220 - 240 V, 20 A, 50/60 Hz dedicated service for the whirlpool.**

Product Notices



WARNING: Unauthorized modification may cause unsafe operation and poor performance of the whirlpool. This whirlpool has an optional custom pump location feature. If this option was ordered, the pump fittings are in place when you receive your whirlpool. The pump should only be moved to this location. Do not make other modifications to the whirlpool system, as this could adversely affect the performance and safe operation of the whirlpool. Kohler Co. shall not be liable, under its warranty or otherwise, for personal injury or damage caused by any such unauthorized modification.

Features

Components include a pump, heater, control and illuminated switch (user keypad).

Connections and Service Access

Before installation, ensure proper access to the final connections.

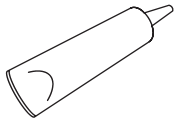
Product Information (cont.)

NOTICE: Provide generous, unrestricted service access to the pump. You must provide access for servicing the pump and controls. The access must be located immediately next to the pump. Study the roughing-in information packed with the whirlpool.

Table of Contents

Important Information	2
Product Information	2
Electrical Requirements	2
Product Notices	2
Features	2
Connections and Service Access	2
Tools and Materials	3
Before You Begin	4
Prepare the Site	5
Prepare the Site	6
Prepare the Whirlpool	6
Disconnect the Pump	7
Relocate the Pump - Option A	7
Relocate the Pump - Option B	7
Secure the Whirlpool to the Subfloor	8
Mount the Pump in Custom Location	9
Install the Plumbing	10
Make Electrical Connections	10
Install the Whirlpool Trim Kit	11
Test Run the Whirlpool	11
Complete the Finished Wall/Deck	12
Complete the Concrete Installation	12
Clean-Up After Installation	12
Confirm Proper Operation	13
Operating Sequence	13
Troubleshooting Procedures	13

Tools and Materials



Silicone Sealant



Measuring Tape



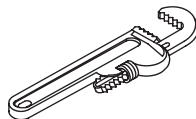
Pencil



Level



Safety Glasses



Pipe Wrench

Plus:

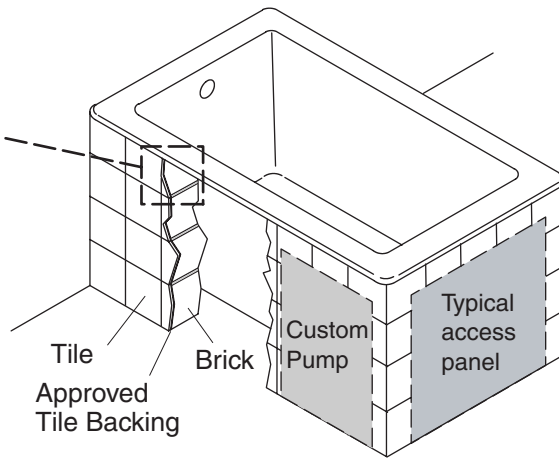
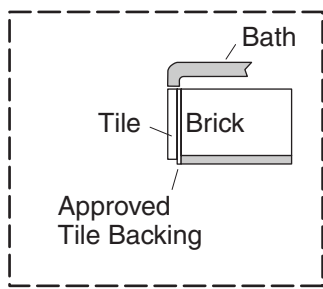
- Conventional woodworking or concrete installation tools and materials
- Drop cloth

Before You Begin

NOTICE: Do not lift the whirlpool by the piping or pump, or use the piping or pump for structural support of the whirlpool. To avoid damage to the whirlpool, lift at the sides of the whirlpool.

NOTICE: Do not support the load weight of the whirlpool by the perimeter of the rim. To avoid damage to product, support the whirlpool by its base or feet.

- We recommend this whirlpool for drop-in, corner, or alcove installation.
- Inspect the whirlpool for damage before you begin installation.
- You must install this whirlpool to an adequately supported, level subfloor.
- If an optional apron will be used: construct the required additional support and install the optional apron before the finished floor and wall materials are completed. Refer to the installation instructions packed with the apron.
- Confirm adequate support for a rim-mounted faucet; large faucets that may be inadvertently used as a means of support are not appropriate or safe for this installation.
- Kohler Co. reserves the right to make revisions in the design of products without notice, as specified in the Price Book.



Whirlpool may be installed next to the wall or as an island installation.

Install an access panel to allow the pump to be serviced.

1. Prepare the Site

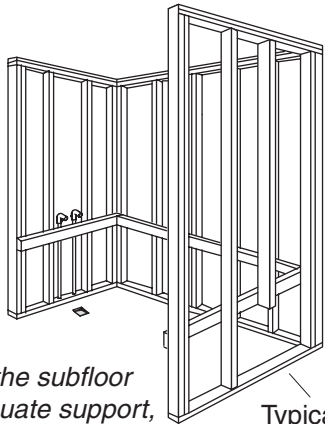
Concrete Construction

NOTICE: Adequate floor support must be provided. Consult the roughing-in sheet packed with your whirlpool for specific floor loading requirements.

NOTICE: Do not support the load weight of the whirlpool by the perimeter of the rim. To avoid damage to product, support the whirlpool by its base or feet.

- Make sure the flooring offers adequate support for your whirlpool, and verify that the subfloor is flat and level.
- This whirlpool may be installed next to the wall or in an island installation. An island installation requires a four side surround. In both instances, make sure the deck is supported by brick or concrete.
- Install an access panel to allow the pump to be serviced.
- Construct brick or concrete supports.
- **For all installations:** To ensure the whirlpool does not rest on the rim, frame the floor or construct a frame for a raised installation. Refer to the roughing-in information packed with this bath.
- If an apron will be installed, construct the required additional support at this time. Refer to the installation instructions packed with the apron.
- Position the plumbing according to the roughing-in information packed with this bath. Cap the supplies, and check for leaks.

Position the rough plumbing.

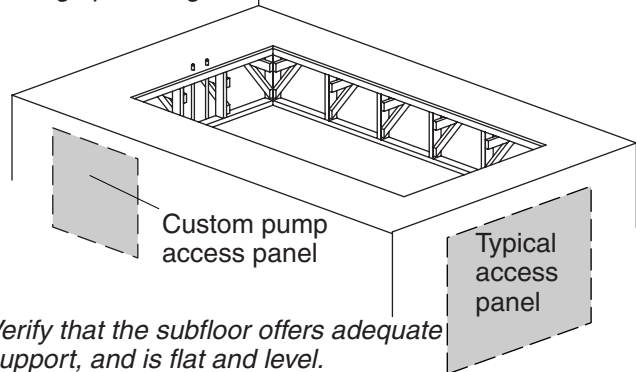


Construct 2x4 stud framing according to the roughing-in information.

Verify that the subfloor offers adequate support, and is flat and level.

Typical access panel

Position the rough plumbing.



Frame the floor according to the roughing-in information.

Verify that the subfloor offers adequate support, and is flat and level.

2. Prepare the Site

Wood Construction

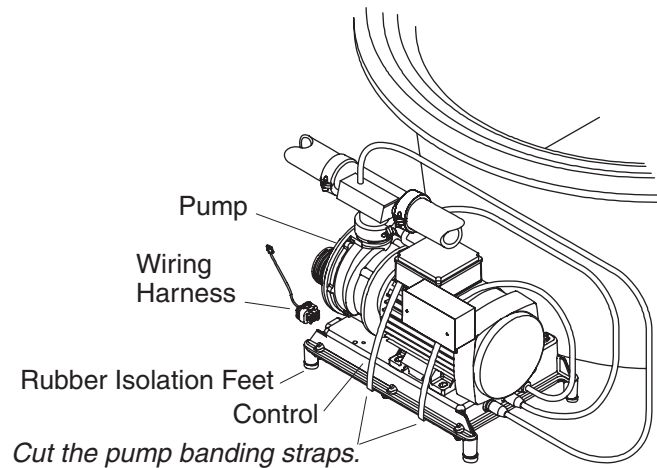
NOTICE: Adequate floor support must be provided. Consult the roughing-in sheet packed with your whirlpool for specific floor loading requirements.

NOTICE: Do not support the load weight of the whirlpool by the perimeter of the rim. To avoid damage to product, support the whirlpool by its base or feet.

- Make sure the flooring offers adequate support for your whirlpool, and verify that the subfloor is flat and level.
- The whirlpool may be used in a drop-in, corner, or alcove installation. Construct 2x4 stud framing designed for your particular installation. Frame the floor, or construct a frame for a raised installation in accordance with the roughing-in information packed with the whirlpool.
- Use the roughing-in cut-out information to carefully lay out and cut the rough deck material.
- Install an access panel to allow the pump to be serviced.
- **For all installations:** To ensure the whirlpool does not rest on the rim, frame the floor or construct a frame for a raised installation. Refer to the roughing-in information packed with this bath.
- If an apron will be installed, construct the required additional support at this time. Refer to the installation instructions packed with the apron.
- Position the plumbing according to the roughing-in information. Cap the supplies, and check for leaks.

3. Prepare the Whirlpool

- We recommend a tiling-in bead for straight-rimmed whirlpools, if one or more sides of the whirlpool contact a wall. This bead prevents water from seeping between the whirlpool rim and the wall. Follow the instructions packed with the tiling-in bead to install the bead now.
- Install the drain to the whirlpool according to the drain manufacturer's instructions. Do not connect the trap at this time.
- Position a clean drop cloth or similar material in the bottom of the whirlpool. Be careful not to scratch the surface of the whirlpool.



4. Disconnect the Pump

IMPORTANT! No cutting of the whirlpool harness (pipes) is required for this installation. Any cutting of the whirlpool harness will void the warranty.

- Disconnect the pump from the whirlpool by cutting the two banding straps with a tin snips.

NOTE: The heater may be attached to the pump or already in the custom pump location, as models vary.

IMPORTANT! Two methods of pump relocation are described below. Choose the method which is best suited for your particular whirlpool installation.

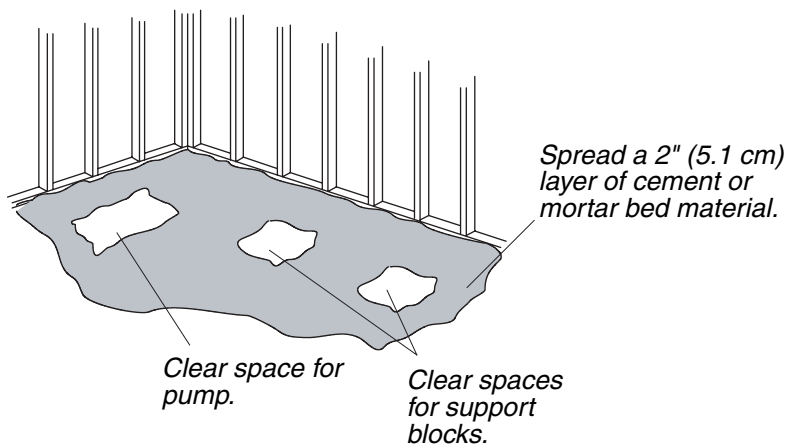
5. Relocate the Pump - Option A

Drop-in Installations

- Relocate the heater and/or pump next to the customized inlet/outlet connections of the whirlpool harness. The pump may protrude beyond the rim of the whirlpool. Refer to the roughing-in details.
- Feed the supplied cable ties through the holes in the bracket attached to the backside of the whirlpool, and located above the new pump.
- Temporarily secure the pump to the whirlpool by wrapping the cable ties around the pump and control.
- Follow all procedures in the "Install the Whirlpool" section. While moving the whirlpool into position, the pump will be temporarily suspended. Be careful not to damage the pump and control while guiding the whirlpool into position.
- Remove the cable ties and connect the pump to the harness by following all procedures in the "Mount the Pump in Custom Location" section.

6. Relocate the Pump - Option B

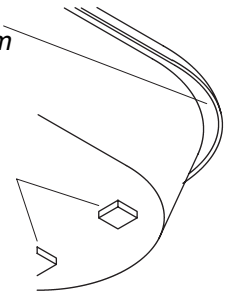
- Set the pump aside.
- Follow all the procedures in the "Install the Whirlpool" section.
- Through the access panel, move the pump to the new location. Connect the pump to the harness by following all the procedures in the "Mount the Pump in Custom Location" section.



Apply a bead of silicone sealant around the entire rim

or

Apply construction adhesive to the support blocks.



7. Secure the Whirlpool to the Subfloor

NOTICE: Do not lift the whirlpool by the piping or pump, or use the piping or pump for structural support of the whirlpool. To avoid damage to the whirlpool, lift at the sides of the whirlpool.

- Choose the installation option that best applies to your particular installation. Follow the appropriate instructions.
- If the subfloor is not level, shim the whirlpool support blocks as necessary.

Option for Using a Cement or Mortar Bed

- Spread a 2" (5.1 cm) thick layer of cement or mortar on the subfloor where the whirlpool will be set. This will help secure, level, and support the unit. Clear all the material away from the pump control and support block locations.

NOTE: Do not use gypsum cement or drywall compound for this application, as they will not provide an acceptable, durable bond.

NOTE: The pump control (when the pump banding straps are cut) and support blocks must rest directly on the subfloor.

- Position a piece of plastic drop cloth material on top of the cement or mortar bed. With help, carefully lift the whirlpool into place, and make sure the pump control and support blocks do not rest in the bed material.
- Insert the drain tailpiece into the trap. Make sure the whirlpool is level and resting on all support blocks.

Option for Using Construction Adhesive

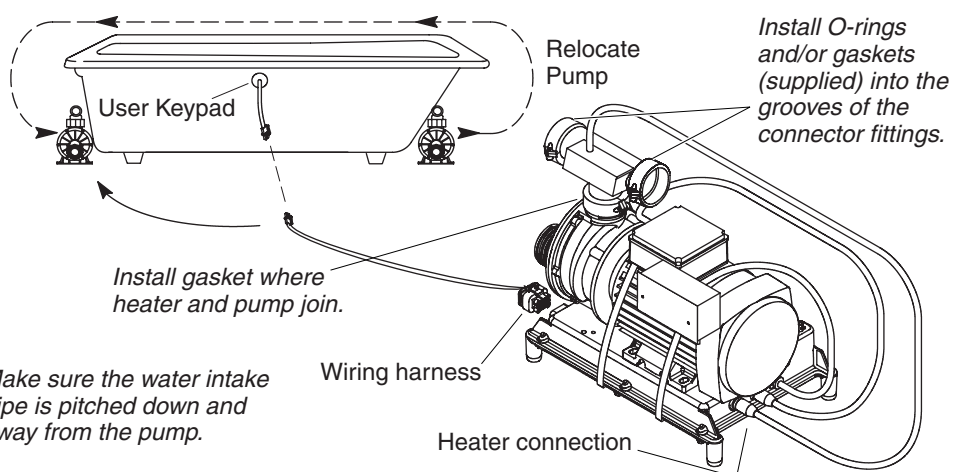
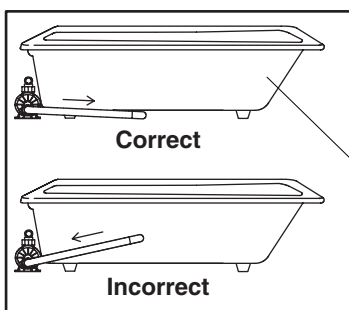
- Apply a generous amount of high-quality construction adhesive to the bottom of the support blocks. With help, carefully lift the whirlpool into position.
- Insert the drain tailpiece into the trap. Make sure the whirlpool is level and resting on all support blocks.

Option for Using Silicone Sealant

- With help, carefully lift the whirlpool into position.
- Insert the drain tailpiece into the trap. Make sure the whirlpool is level and resting on all support blocks.
- Apply a continuous bead of high-quality silicone sealant around the entire rim of the whirlpool.

When installing the pump, be sure to remove the plugs from the inlet and outlet piping.

Provide access to the installed pump for servicing.

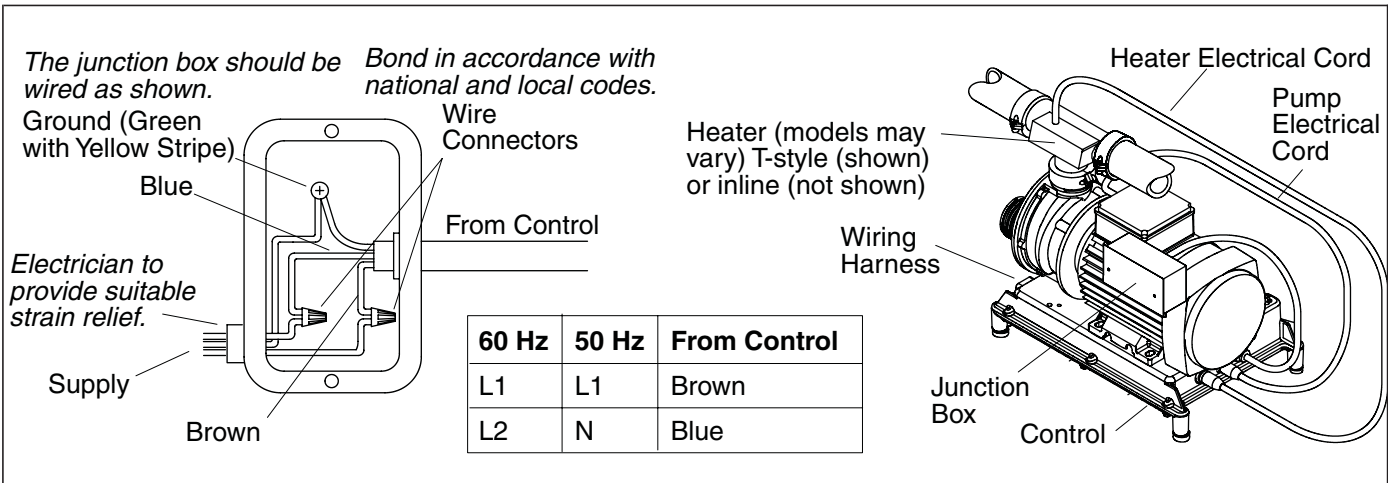


8. Mount the Pump in Custom Location

- Remove all protective packaging from around the whirlpool harness. Cut only those cable ties supporting the harness attachment nuts.
- Remove the plugs from the pump inlet and outlet openings. Install the supplied gasket in the connection where the heater and pump join. Install the supplied O-rings/gaskets on the inlet and outlet connector fittings.
- Position the pump and control into place. Be sure the rubber isolation feet remain in place.
- Thread the plastic inlet and outlet attachment nuts onto the heater and/or pump until the O-rings/gaskets make initial contact.
- Tighten each nut no more than another quarter of a turn. **Do not use a wrench or overtighten these nuts, as damage or leaks may result.**
- Make sure the whirlpool harness piping is pitched correctly (down and away) to promote the drainage of water from the pump through the suction fitting. The pump should rest on the same subfloor, at the same level as the whirlpool feet. Shim the pump if necessary on the subfloor, but only high enough to allow water to drain out of the suction line when the whirlpool is drained.

NOTE: Do not shim the pump more than 1/4" (6 mm). Raising the pump too high will prevent the pump from priming properly.

- If your heater was already installed in the custom location, simply plug the heater cord into the heater connection on the control by aligning the pins and pressing it into place.
- Locate the solid copper 8-gauge bonding wire, which has been secured to the bracket upon which the pump has shipped. Feed this bonding wire back to the pump and control, in the custom location, and connect to one of the open bonding lugs on the control box. This is necessary to bond any metal back to the grounding source.
- Make sure the wiring from the bath-mounted user keypad is connected to the wiring harness on the control.



9. Install the Plumbing



CAUTION: Risk of property damage. Ensure a watertight seal on the whirlpool drain.

- Connect the drain to the trap according to the drain manufacturer's instructions.

NOTICE: An access panel will simplify future maintenance.

- Install the faucet valving according to the faucet manufacturer's instructions. Do not install the faucet trim until instructed. Open the hot and cold water supplies, and check the supply connections for leakage.
- Run water into the whirlpool, and check the drain connections for leakage.
- If required, install the grip rails. Refer to the installation instructions packed with the grip rails.

10. Make Electrical Connections

NOTE: The product model number is printed on a label on the pump side of the whirlpool bath. This label also identifies the electrical rating of the product. **All whirlpools come equipped with a wiring junction box and are designed to operate between 220 V and 240 V at either 50 Hz or 60 Hz.**



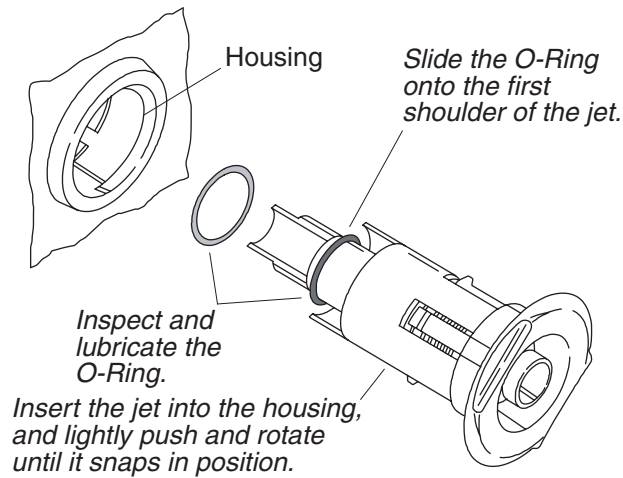
WARNING: Risk of electrical shock. Make sure the power has been disconnected before performing the following procedures. Refer to the "Important Information" section.



WARNING: Risk of electrical shock. To reduce the risk of electrical shock, connect the pump to a properly grounded Ground-Fault Circuit-Interrupter (GFCI) or Residual Current Device (RCD). This will provide additional protection against line-to-ground shock hazard. A 220-240 V, 20 A, 50/60 Hz dedicated circuit is required.

- The whirlpool bath control and system have been pre-wired at the factory. A licensed electrician should make a routine service connection to the junction box.
- Connect service to the junction box. The junction box contains blue, brown, and green with a yellow stripe colored wires and a ground lug
- Provide a separate equipment earthing conductor for the earth lug located inside the junction box. **Do not connect the earthing conductor to any current-carrying conductor.** Follow local electrical codes. Bond in accordance with national and local codes.
- A wiring harness has been pre-wired at the factory, allowing communication between the keypad, all features, and the control. No additional wiring is required, but ensure that all wires are securely fastened.

NOTE: Your wiring harness included an antenna for the optional remote control. Do not alter or damage this antenna during installation.



11. Install the Whirlpool Trim Kit

- Install the whirlpool trim kit according to the instructions packed with the trim kit. Pay particular attention to the jet installation steps below - they are very important and are included here to help you obtain smooth, trouble-free jet operation.

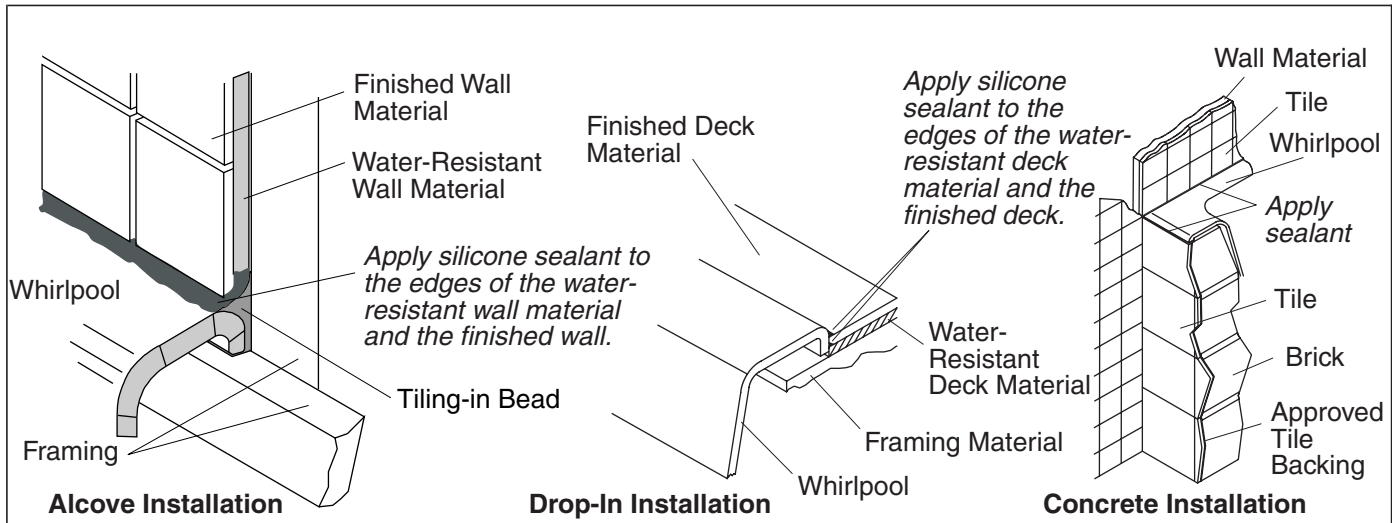
NOTE: The jet O-ring must be correctly positioned, must be lubricated, and must be in good condition to permit easy rotation and proper operation of the jet.

- Install the O-ring onto the **first shoulder** of the jet. Lubricate the O-ring with silicone lubricant to prevent noisy operation of the jet.
- Carefully insert the jet into the housing, and lightly push and rotate the jet until it snaps into position. **Do not force the jet.**

NOTE: When installed correctly, the jet should turn smoothly both clockwise and counterclockwise.

12. Test Run the Whirlpool

- Check all electrical connections, and make sure the electrical power to the whirlpool is turned on.
- Make sure all union connections to the pump and heater are securely hand tightened.
- Verify that the pump banding straps have been cut, and that the pump control is resting directly on the subfloor. Ensure that the rubber isolation feet are in place.
- Fill the whirlpool to a level at least 2" (5.1 cm) above the top of the highest jet.
- Operate the whirlpool for 5 minutes (refer to the "Operating Sequence" section) and check all whirlpool piping connections, on the back side, for leaks.
- For additional information on whirlpool operation, see "Confirm Proper Operation" section.



13. Complete the Finished Wall/Deck

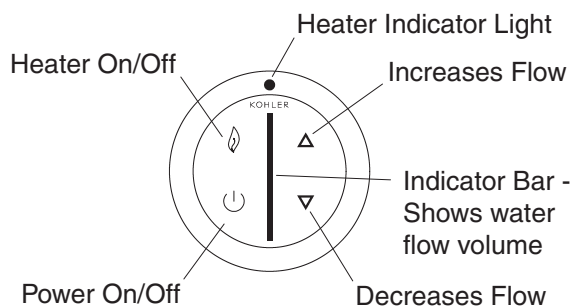
- If you have not already done so, carefully remove the protective tape from the whirlpool rim.
- Cover the framing with water-resistant wall/deck material. Seal the joints between the whirlpool rim edge and the water-resistant wall/deck material with silicone sealant.
- Tape and mud the water-resistant wall/deck material. Install the finished wall/deck to the water-resistant wall/deck material. Seal the joints between the whirlpool rim and the finished wall/deck material with silicone sealant.
- Install the faucet trim according to the instructions packed with the trim.

14. Complete the Concrete Installation

- If you have not already done so, carefully remove the protective tape from the whirlpool rim.
- Apply mortar and tile to the wall, deck and surround material as needed.
- Apply a bead of sealant where the tile meets the whirlpool surface.
- Install the faucet trim according to the instructions packed with the trim.

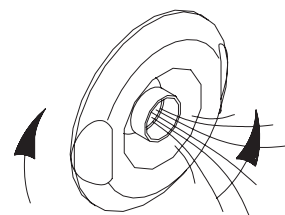
15. Clean-Up After Installation

- When cleaning up after installation, **do not use abrasive cleansers**, as they may scratch and dull the whirlpool surface. If necessary, use warm water and a liquid detergent to clean the surface of the whirlpool, user keypad and remote control.
- Remove stubborn stains, paint, or tar with turpentine or paint thinner. **Do not allow cleaners containing petroleum distillates to remain in contact with any whirlpool surfaces for long periods of time.** Remove plaster by carefully scraping with a wood edge. Do not use metal scrapers, wire brushes, or other metal tools. Use a powder-type detergent on a damp cloth to provide mild abrasive action to any residual plaster.



Lighted User Keypad

Turn the jet trim clockwise to decrease the flow.



Turn the jet trim counterclockwise to increase the flow.

16. Confirm Proper Operation

Fill the Whirlpool

NOTE: Please read these steps carefully before you operate your whirlpool.

- Position the jet nozzles so they face down toward the basin. Turn the jet trim rings fully counterclockwise.
- **Fill the whirlpool to a water level at least 2" (5.1 cm) above the top of the highest jet.**

NOTE: The water temperature in the whirlpool should not exceed 104°F (40°C). The heater will automatically turn off as the water temperature approaches 104°F (40°C) and will remain off until the water cools.

17. Operating Sequence

NOTE: A built-in heater automatically helps to maintain the water temperature when the whirlpool is running, as long as the water temperature does not exceed 104°F (40°C). The heater will disengage at higher temperatures.

IMPORTANT! Please refer to your Homeowners Guide for detailed instructions on the user keypad and optional remote control.

- Press the Power On/Off button to turn on the whirlpool. The whirlpool will start at medium flow.
- Increase or decrease the water flow by pressing either the up or down arrow buttons on the keypad. An indicator bar in the center of the keypad shows the water flow volume.
- Adjust each jet for optimum air/water mixture. Turn the jet trim clockwise to reduce the air flow, and counterclockwise to increase the air flow.
- Press the heater button to turn the heater off and back on. When illuminated, the indicator light shows that the water temperature will be maintained up to 104°F (40°C).
- Press the Power On/Off button a second time to turn the whirlpool off.

NOTE: A built-in timer automatically stops the pump and motor after approximately 20 minutes of operation.

18. Troubleshooting Procedures

This troubleshooting guide is for general aid only. A Kohler Authorized Service Representative or qualified electrician should correct all electrical problems. For warranty service, contact your dealer or wholesale distributor.

Troubleshooting Procedures (cont.)

Troubleshooting the Whirlpool System

Symptoms	Probable Causes	Recommended Action
1. User keypad does not illuminate when power button is pressed or outer ring is rotated.	<p>A. No power to control.</p> <p>B. GFCI or RCD tripped.</p> <p>C. Wiring harness from user keypad to control is loose, disconnected or damaged.</p> <p>D. User keypad does not work.</p> <p>E. Control does not work.</p>	<p>A. Check wiring and connect power.</p> <p>B. Reset GFCI or RCD.</p> <p>C. Check wiring for proper connections. Replace wiring harness if necessary.</p> <p>D. Replace user keypad.</p> <p>E. Replace control.</p>
2. Motor starts, but all jets are not functioning.	<p>A. Jet is closed.</p> <p>B. Jet not installed correctly.</p> <p>C. Jets are blocked.</p>	<p>A. Rotate jet trim counterclockwise to open.</p> <p>B. Reinstall jet; check for O-ring damage.</p> <p>C. Remove blockage.</p>
3. User keypad is illuminated, but does not respond to buttons or outer ring.	<p>A. Control program is locked.</p> <p>B. Wiring harness from user keypad to control is loose, disconnected or damaged.</p> <p>C. User keypad does not work.</p> <p>D. Control does not work.</p>	<p>A. Reset GFCI or RCD.</p> <p>B. Check wiring for proper connections. Replace wiring harness if necessary.</p> <p>C. Replace user keypad.</p> <p>D. Replace control.</p>
4. User keypad indicator bar keeps scanning at power-up.	<p>A. Control program is locked.</p> <p>B. Wiring harness from user keypad to control is loose, disconnected or damaged.</p> <p>C. User keypad does not work.</p> <p>D. Control does not work.</p>	<p>A. Reset GFCI or RCD.</p> <p>B. Check wiring for proper connections. Replace wiring harness if necessary.</p> <p>C. Replace user keypad.</p> <p>D. Replace control.</p>
5. User keypad is illuminated, but pump won't start.	<p>A. Power cord from pump to control is loose, disconnected or damaged.</p> <p>B. Pump does not work.</p> <p>C. Control does not work.</p>	<p>A. Check wiring for proper connections.</p> <p>B. Replace pump.</p> <p>C. Replace control.</p>
6. Motor runs but pump won't prime (cavitates).	<p>A. Pump is shimmed too high.</p> <p>B. Small air leak at pump inlet.</p> <p>C. Motor/pump does not work.</p> <p>D. Control does not work.</p>	<p>A. Lower pump/control to subfloor level.</p> <p>B. Securely tighten nut(s) on intake side of pump.</p> <p>C. Replace motor/pump.</p> <p>D. Replace control.</p>
7. Pump stops before 18 minutes.	<p>A. GFCI or RCD tripped.</p> <p>B. Suction is blocked.</p> <p>C. Jets are blocked.</p> <p>D. Motor overheated and protection device activated.</p>	<p>A. Identify source of fault, and correct. Reset GFCI or RCD.</p> <p>B. Remove obstruction.</p> <p>C. Remove blockage.</p> <p>D. Check for blockage at suction and/or jets. Remove blockage and allow motor to cool.</p>
8. Pump does not automatically stop after 22 minutes.	<p>A. 20-minute timer inadvertently disabled.</p>	<p>A. See service manual.</p>

Troubleshooting Procedures (cont.)

Symptoms	Probable Causes	Recommended Action
9. Pump won't turn off when the power button on user keypad is pressed.	A. User keypad does not work. B. Control does not work.	A. Replace user keypad. B. Replace control.
10. Pump operates but variable speed feature does not work.	A. Motor/pump does not work. B. Control does not work.	A. Replace motor/pump. B. Replace control.
11. Bath water cools while pump is operating.	A. Water temperature above 104°F (40°C). B. Heater is turned off on user keypad. C. Wiring from heater to control is loose, disconnected or damaged. D. Heater does not work. E. Control does not work.	A. Allow bath water to cool. B. Turn heater on. C. Check wiring for proper connections. D. Replace heater. E. Replace control.
12. Noisy operation.	A. Pump banding straps have not been cut. B. Dry or dislodged jet O-ring (squeal).	A. Cut pump banding straps with tin snips. B. Remove jet, replace and lubricate O-ring, and reinstall jet.
13. Remote control (if equipped) does not work.	A. Batteries improperly installed or dead. B. Antenna on wiring harness is damaged. C. Remote control not programmed correctly. D. Remote control does not work. E. Control does not work.	A. Replace batteries. B. Replace wiring harness. C. See homeowners guide or service manual. D. Replace remote control. E. Replace control.

Guide d'installation

Baignoire à hydromassage avec pompe customisée

Renseignements importants



AVERTISSEMENT : Lors de l'utilisation des produits électriques, des précautions de base devraient toujours être observées, incluant ce qui suit:



DANGER : Risque d'électrocution. Raccorder uniquement à des circuits protégés par un Disjoncteur de Fuite de Terre (GFCI) ou un appareil de courant résiduel (RCD).

Les matériaux de construction et le câblage devraient être acheminés loin du corps de la pompe et des autres composants qui dégagent de la chaleur de l'unité.

Installer de façon à permettre l'accès pour l'entretien.

Un connecteur à pression pour câbles marqué « Terre/Masse » est fourni dans le compartiment de câblage. Afin de réduire les risques de choc électrique, raccorder ce connecteur à une borne de terre du panneau de service ou d'alimentation électrique avec un câble en cuivre ayant la même dimension que le fil conducteur du circuit qui alimente cet équipement.

Un connecteur à pression par câble est prévu à l'extérieur de la boîte de jonction de la pompe ou de la commande de cet appareil afin de permettre la connexion entre l'appareil et toutes autres surfaces de métal avoisinantes, tel que requis par les normes locales.

Une mise à la terre est requise. Ce dispositif doit être installé par un représentant qualifié, et mis à la terre.



AVERTISSEMENT : Risque d'électrocution. Un électricien agréé doit procéder à toutes les connexions électriques.



AVERTISSEMENT : Risque d'électrocution. Débrancher l'alimentation avant de procéder à l'entretien.



AVERTISSEMENT : Risque de blessures ou d'endommagement du matériel. Toutes les instructions doivent être lues avec la plus grande attention avant de commencer l'installation, et toutes les conditions suivantes doivent être respectées :

AVIS : Respecter tous les codes de plomberie et électriques locaux.

Informations sur le produit

Branchements électriques requis

L'installation électrique doit avoir un Disjoncteur de Fuite de Terre (GFCI) ou un appareil de courant résiduel (RCD) de classe A. Le GFCI ou le RCD protège contre une électrocution par la mise à la terre. **Raccorder la baignoire à hydromassage à une alimentation indépendante de 220/240 V, 20 A, 50/60 Hz.**

Notices du produit



AVERTISSEMENT : Des modifications non approuvées peuvent provoquer un fonctionnement dangereux et un mauvais fonctionnement de la baignoire à hydromassage. Cette baignoire à hydromassage a une caractéristique de logement sur mesure pour la pompe. Si cette option a été choisie, les raccords de la pompe seront déjà en place lors de la réception de la baignoire à hydromassage. La pompe devrait uniquement être déplacée à cet emplacement. N'effectuer aucune modification au système car il pourrait en résulter une dégradation du rendement de la baignoire à hydromassage, ce qui pourrait affecter son fonctionnement sécuritaire. Kohler Co. décline toute

Informations sur le produit (cont.)

responsabilité, sous ses garanties ou autres, quant à toutes blessures ou dommages causés par de telles modifications non autorisées.

Caractéristiques

Les composants comprennent une pompe, un chauffe-eau, un contrôle et un voyant lumineux (clavier de l'utilisateur).

Connexions et accès pour l'entretien

S'assurer que l'accès aux connexions finales est suffisant avant l'installation.

AVIS : Fournir un large accès non restreint de service à la pompe. Il faut prévoir un accès pour l'entretien de la pompe et des contrôles. L'accès doit être situé tout près de la pompe. Étudier les instructions de raccordement accompagnant la baignoire à hydromassage.

Sommaire

Renseignements importants	1
Informations sur le produit	1
Branchements électriques requis	1
Notices du produit	1
Caractéristiques	2
Connexions et accès pour l'entretien	2
Avant de commencer	3
Outils et matériels	3
Préparer le site	4
Préparer le site	5
Préparer la baignoire à hydromassage	5
Débrancher la pompe	6
Relocaliser la pompe - Option A	6
Relocaliser la pompe - Option B	6
Sécuriser la baignoire à hydromassage au plancher	7
Monter la pompe dans un emplacement sur mesure	8
Installer la plomberie	9
Effectuer les connexions électriques	9
Installer le kit de garniture de la baignoire à hydromassage	11
Tester la baignoire à hydromassage	11
Compléter le mur/comptoir fini	12
Compléter l'installation en béton	12
Nettoyage après installation	12
Confirmer le bon fonctionnement	13
Séquence d'opération	13
Procédures de dépannage	14

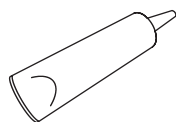
Avant de commencer

AVIS : Ne pas soulever la baignoire à hydromassage par la tuyauterie ou par la pompe ou utiliser la tuyauterie ou la pompe pour supporter la baignoire à hydromassage. Afin d'éviter d'endommager la baignoire à hydromassage, soulever sur les côtés de la baignoire.

AVIS : Ne pas supporter le poids de charge de la baignoire à hydromassage par le périmètre du rebord. Pour éviter tout endommagement du produit, supporter le bain à hydromassage par sa base ou ses pieds.

- Nous recommandons cette baignoire à hydromassage pour une installation, encastrée, dans un coin ou dans une alcôve.
- Avant l'installation, examiner la baignoire à hydromassage pour déceler tout dommage.
- Cette baignoire à hydromassage doit être installée sur un plancher soutenu de manière adéquate et nivelé.
- En cas d'utilisation d'un bandeau optionnel : construire le support supplémentaire requis et installer le bandeau optionnel avant de terminer la finition du plancher et du mur. Se référer aux instructions d'installation accompagnant le bandeau.
- Confirmer un support adéquat pour le robinet à montage sur rebord; les gros robinets qui auraient été utilisés par inadvertance comme moyen de support ne sont pas appropriés ou sécuritaires pour cette installation.
- Kohler Co. se réserve le droit d'apporter toutes modifications sur le design des produits et ceci sans préavis, tel que spécifié dans le catalogue des prix.

Outils et matériels



Silicone
d'étanchéité



Mètre ruban



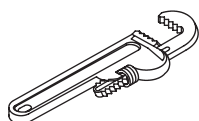
Crayon à
papier



Niveau à bulle



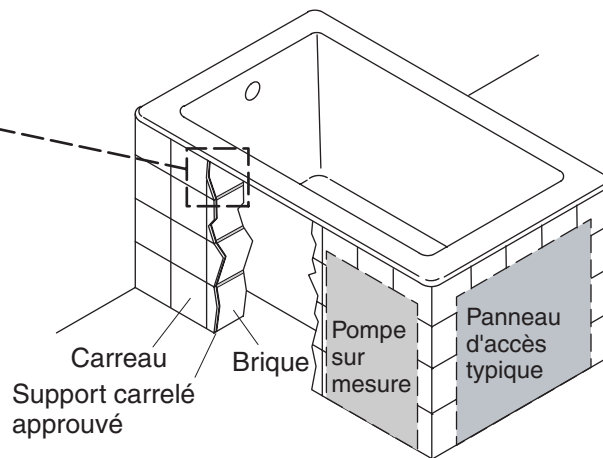
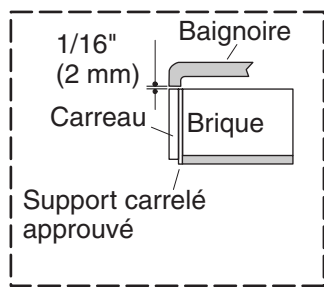
Lunettes de
protection



Clé à griffes

Plus :

- Outils conventionnels de menuiserie ou outils et matériaux pour installation
- Bâche de protection



La baignoire à hydromassage peut être installée contre le mur ou sur un podium.

Installer un panneau d'accès pour un entretien futur de la pompe.

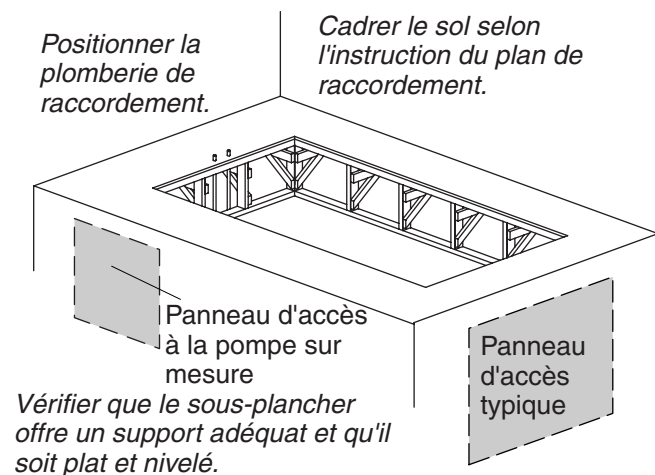
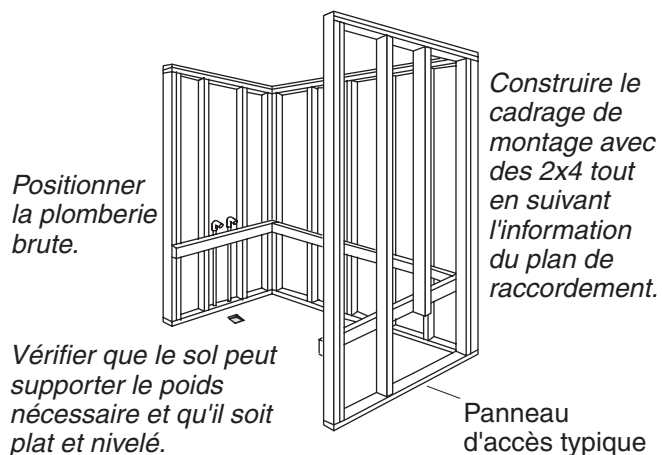
1. Préparer le site

Construction en béton

AVIS : Un support adéquat doit être fourni. Consulter le guide du raccordement emballé avec la baignoire à hydromassage pour les spécifications de préparation du sol.

AVIS : Ne pas supporter le poids de charge de la baignoire à hydromassage par le périmètre du rebord. Pour éviter tout endommagement du produit, supporter le bain à hydromassage par sa base ou ses pieds.

- S'assurer que le plancher offre un support adéquat pour la baignoire à hydromassage et vérifier que le plancher est plat et nivelé.
- Cette baignoire à hydromassage peut être installée contre le mur ou sur un podium. L'installation sur podium nécessite un encadrement sur les quatre côtés. Dans les deux cas, s'assurer que le comptoir soit supporté par des briques ou par une structure en béton.
- Installer un panneau d'accès pour un entretien futur de la pompe.
- Construire des supports en brique ou béton.
- **Pour toutes les installations:** Pour assurer que la baignoire à hydromassage ne repose pas sur le rebord, cadrer le plancher ou construire un cadre pour une installation surélevée. Consulter le plan de raccordement accompagnant cette baignoire.
- Lors de l'installation d'un bandeau, construire le support supplémentaire requis à ce point. Se référer aux instructions d'installation accompagnant le bandeau.
- Positionner la plomberie selon le plan de raccordement accompagnant cette baignoire. Boucher les alimentations et vérifier s'il y a des fuites.



2. Préparer le site

Construction en bois

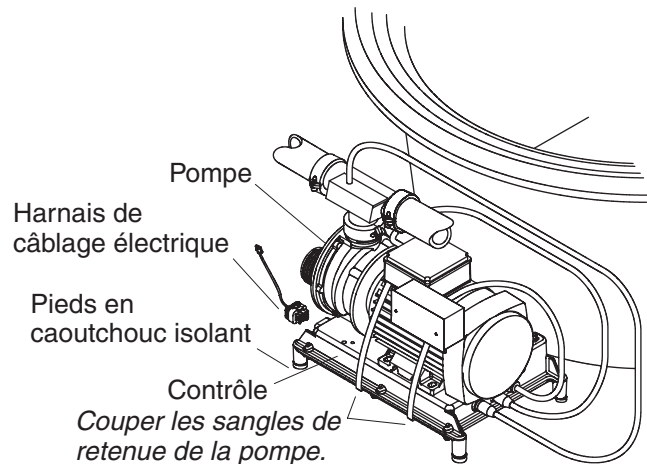
AVIS : Un support adéquat doit être fourni. Consulter le guide du raccordement emballé avec la baignoire à hydromassage pour les spécifications de préparation du sol.

AVIS : Ne pas supporter le poids de charge de la baignoire à hydromassage par le périmètre du rebord. Pour éviter tout endommagement du produit, supporter le bain à hydromassage par sa base ou ses pieds.

- S'assurer que le plancher offre un support adéquat pour la baignoire à hydromassage et vérifier que le sous-plancher est plat et nivelé.
- La baignoire à hydromassage peut être installée dans un espace encastré, un coin, ou une alcôve. Construire un encadrement de montant de 2x4 conçu pour cette installation particulière. Cadrer le sol ou construire un cadre pour une installation surélevée en accordance avec le plan de raccordement fourni avec la baignoire à hydromassage.
- À l'aide du plan de raccordement, tracer et découper avec précaution le matériau brut du comptoir.
- Installer un panneau d'accès pour un entretien futur de la pompe.
- **Pour toutes les installations:** Pour assurer que la baignoire à hydromassage ne repose pas sur le rebord, cadrer le plancher ou construire un cadre pour une installation surélevée. Consulter le plan de raccordement accompagnant cette baignoire.
- Lors de l'installation d'un bandeau, construire le support supplémentaire requis à ce point. Se référer aux instructions d'installation accompagnant le bandeau.
- Positionner la plomberie selon l'information du plan du raccordement. Boucher les alimentations et vérifier s'il y a des fuites.

3. Préparer la baignoire à hydromassage

- Nous recommandons une bande à carreler pour des baignoires à hydromassage à côté droit, si un ou plusieurs côtés de la baignoire sont en contact avec un mur. Ceci empêchera l'infiltration d'eau entre le rebord de la baignoire à hydromassage et le mur. Suivre les instructions d'installation fournies avec la bande à carreler pour l'installer maintenant.
- Installer le drain sur la baignoire à hydromassage selon les instructions du fabricant. Ne pas connecter le siphon à ce moment.
- Placer un chiffon propre ou matière similaire à la base de la baignoire à hydromassage. S'assurer de ne pas rayer la surface de la baignoire à hydromassage.



4. Débrancher la pompe

IMPORTANT ! Aucune découpe du harnais de la baignoire à hydromassage (tuyaux) n'est requise pour cette installation. Toute découpe du harnais annulera la garantie.

- Débrancher la pompe en sectionnant les deux sangles de retenue avec une cisaille de ferblantier.

REMARQUE : Le chauffe-eau peut être attaché à la pompe ou déjà dans l'emplacement sur mesure de la pompe, modèles variant.

IMPORTANT ! Deux méthodes de relocalisation de la pompe sont décrites ci-dessous. Choisir la méthode la mieux appropriée à l'installation particulière de la baignoire à hydromassage.

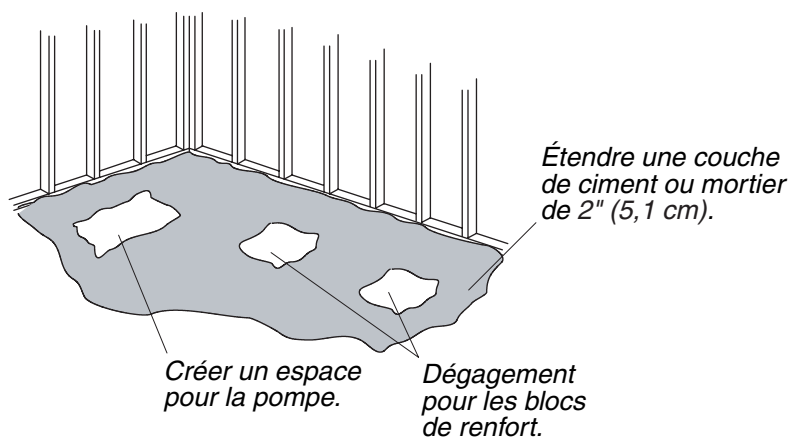
5. Relocaliser la pompe - Option A

Installations encastrées

- Relocaliser le chauffe-eau et/ou la pompe à côté des raccords d'alimentation et d'évacuation sur mesure du harnais de la baignoire à hydromassage. Il se peut que la pompe dépasse du rebord de baignoire à hydromassage. Se référer aux détails du plan de raccordement.
- Passer les serre câbles fournis à travers les trous dans le montant arrière de la baignoire à hydromassage, et relocaliser sur la nouvelle pompe.
- Sécuriser temporairement la pompe à la baignoire à hydromassage en enroulant les serre-câbles autour de la pompe et du contrôle.
- Suivre les procédures de la section « Installer la baignoire à hydromassage ». Lors de la mise en position de la baignoire à hydromassage, la pompe sera temporairement suspendue. Faire attention de ne pas endommager la pompe et le contrôle en guidant la baignoire à hydromassage en place.
- Retirer les serre-câbles et connecter la pompe au harnais en suivant toutes les procédures de la section « Monter la pompe dans un emplacement sur mesure ».

6. Relocaliser la pompe - Option B

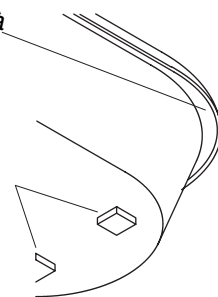
- Mettre la pompe de côté.
- Suivre toutes les procédures de la section « Installer la baignoire à hydromassage ».
- A travers le panneau d'accès, déplacer la pompe à son nouvel emplacement. Connecter la pompe au harnais en suivant toutes les procédures de la section « Monter la pompe dans un emplacement sur mesure ».



Appliquer un cordon de mastic à la silicone tout autour du rebord

ou

Appliquer un adhésif de construction sur les blocs de soutien.



7. Sécuriser la baignoire à hydromassage au plancher

AVIS : Ne pas soulever la baignoire à hydromassage par la tuyauterie ou par la pompe ou utiliser la tuyauterie ou la pompe pour supporter la baignoire à hydromassage. Afin d'éviter d'endommager la baignoire à hydromassage, soulever sur les côtés de la baignoire.

- Choisir l'option d'installation qui s'applique le mieux à votre installation. Suivre les instructions correspondantes.
- Si le plancher n'est pas nivelé, placer des blocs de renfort sous la baignoire à hydromassage, si nécessaire.

Option pour l'utilisation de ciment ou de lit de mortier

- Étendre une couche de ciment ou mortier de [2" (5,1 cm)] d'épaisseur sur le plancher à l'endroit d'installation de la baignoire. Ceci aidera à sécuriser, niveler et supporter le dispositif. Nettoyer tout matériau se trouvant à la base de la pompe et aux emplacements des blocs de support.

REMARQUE : Ne pas utiliser de plâtre dur ou un mélange pour cloison sèche pour cette installation, car ces produits ne fourniront pas un scellement acceptable et durable.

REMARQUE : Le contrôle de la pompe (une fois les sangles de retenue coupées) et les blocs de support doivent reposer directement sur le sol.

- Positionner une bâche en plastique sur le lit de ciment ou de mortier. Avec de l'aide, soulever et mettre soigneusement la baignoire à hydromassage en place et s'assurer que le contrôle de la pompe et les blocs de support ne reposent pas dans le matériau de l'embase.
- Insérer la pièce de raccordement du drain dans le siphon. S'assurer que la baignoire à hydromassage est à niveau et qu'elle repose sur tous les blocs de support.

Option pour l'utilisation d'un adhésif de construction

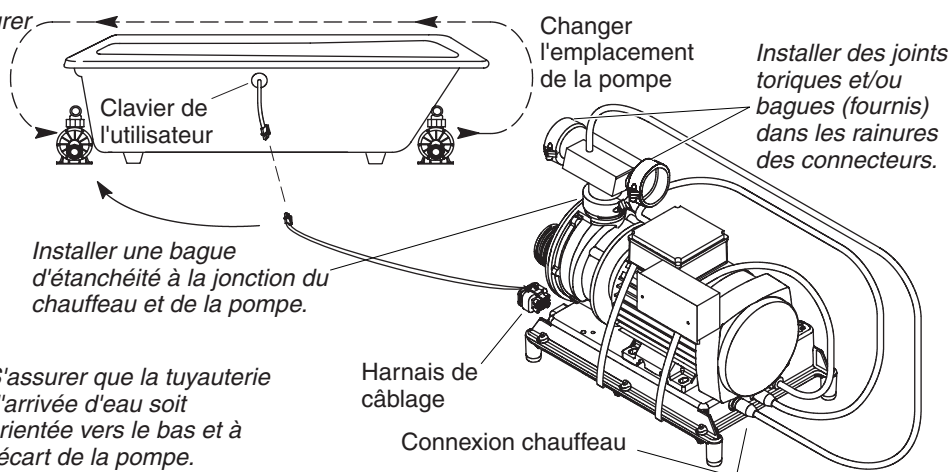
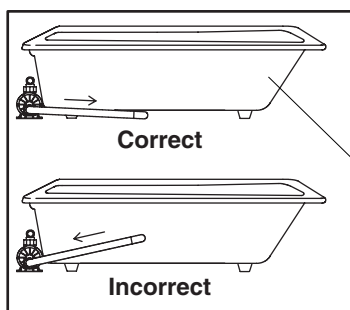
- Appliquer un adhésif de construction de haute qualité à la base des blocs de renfort. Avec de l'assistance, soulever la baignoire à hydromassage avec précaution et la mettre à l'emplacement approprié.
- Insérer la pièce de raccordement du drain dans le siphon. S'assurer que la baignoire à hydromassage est à niveau et qu'elle repose sur tous les blocs de support.

Option d'utilisation d'un matériau d'étanchéité à silicone

- Avec de l'assistance, soulever la baignoire à hydromassage avec précaution et la mettre à l'emplacement approprié.
- Insérer la pièce de raccordement du drain dans le siphon. S'assurer que la baignoire à hydromassage est à niveau et qu'elle repose sur tous les blocs de support.
- Appliquer du mastic à la silicone de bonne qualité tout autour du rebord de la baignoire à hydromassage.

Lors de l'installation de la pompe, s'assurer de retirer les bouchons de la tuyauterie d'arrivée et d'évacuation d'eau.

Prévoir un accès d'entretien pour la pompe installée.



8. Monter la pompe dans un emplacement sur mesure

- Retirer tout emballage protecteur d'autour du harnais de la baignoire à hydromassage. Couper seulement les serre-câbles qui soutiennent les écrous de raccordement du harnais.
- Retirer les bouchons de l'entrée et de sortie de la pompe. Installer le joint fourni dans la connexion à la jonction du chauffe-eau et de la pompe. Installer les joints toriques fournis dans les rainures des raccordements d'arrivée et d'évacuation.
- Positionner la pompe et le contrôle. S'assurer que pieds d'isolation en caoutchouc soient maintenus en place.
- Visser les écrous plastiques de raccordement de la tuyauterie d'arrivée et d'évacuation à la pompe jusqu'au contact initial des joints toriques/joints.
- Ne pas serrer les écrous plus d'un autre quart de tour. **Ne pas utiliser de clé ou trop serrer ces écrous afin d'éviter un endommagement ou des fuites.**
- S'assurer que le harnais de la tuyauterie de la baignoire à hydromassage soit incliné correctement (vers le bas et à l'écart) pour faciliter l'évacuation d'eau de la pompe par les raccords d'aspiration. La pompe devrait reposer sur le même plancher, au même niveau que les pieds de la baignoire. Caler la pompe sur le plancher au besoin, mais assez pour permettre l'évacuation d'eau par la tuyauterie d'aspiration lorsque la baignoire à hydromassage est vidée.

REMARQUE : Ne pas ajouter des cales sous la pompe à plus de 1/4" (6 mm). Si la pompe est trop élevée, elle ne s'amorcera pas correctement.

- Si le chauffe-eau a déjà été installé dans l'emplacement sur mesure, brancher simplement le cordon dans la connexion du chauffe-eau sur le contrôle en alignant les broches en pressant en place.
- Localiser le fil solide en cuivre d'épaisseur 8 qui a été sécurisé au montant d'expédition de la pompe. Alimenter ce fil de retour à la pompe et au contrôle, dans l'emplacement sur mesure, et connecter à l'une des cosses du boîtier de contrôle. Ceci est nécessaire pour souder tout métal à une surface de terre.
- S'assurer que le câblage du clavier de l'utilisateur de la baignoire soit connecté au harnais du contrôle.

La boîte de jonction doit être connectée selon l'illustration.

Raccorder en accord avec les codes nationaux et locaux.

Terre (vert avec rayures jaunes)

Bleu

L'électricien doit prévoir un réducteur de tension appropriée.

Alimentation

Marron

Câbles connecteurs

Depuis le contrôle

60 Hz	50 Hz	Depuis le contrôle
L1	L1	Marron
L2	N	Bleu

Chauffeau (modèles peuvent varier) de style T (illustré) ou en ligne (non illustré)

Cordon du chauffe électrique

Câble de la pompe électrique

Câblage électrique

Boîte de jonction

Contrôle

9. Installer la plomberie



ATTENTION : Risque d'endommagement du matériel. Assurer un joint étanche sur le drain de la baignoire à hydromassage.

- Connecter le drain au siphon selon les instructions du fabricant du drain.

AVIS : Un panneau d'accès facilitera une maintenance future.

- Installer la robinetterie conformément aux instructions du fabricant du robinet. Ne pas installer la garniture du robinet avant l'instruction de le faire. Ouvrir les alimentations d'eau chaude et froide et vérifier qu'il n'y ait pas de fuites.
- Laisser couler l'eau dans la baignoire à hydromassage et rechercher la présence de fuites dans les raccords du drain.
- Si requis, installer les rails d'appui. Se référer aux instructions d'installation emballées avec les rails d'appui.

10. Effectuer les connexions électriques

REMARQUE : Le numéro de modèle du produit est imprimé sur une étiquette placée du côté de la pompe de la baignoire à hydromassage. Cette étiquette identifie également le calibrage électrique du produit. **Toutes les baignoires à hydromassage sont équipées d'une boîte de jonction et sont conçues pour opérer entre 220 V et 240 V soit à 50 Hz ou 60 Hz.**



AVERTISSEMENT : Risque d'électrocution. S'assurer que l'alimentation électrique a été débranchée avant d'effectuer les procédures suivantes. Se référer à la section « Information importante ».



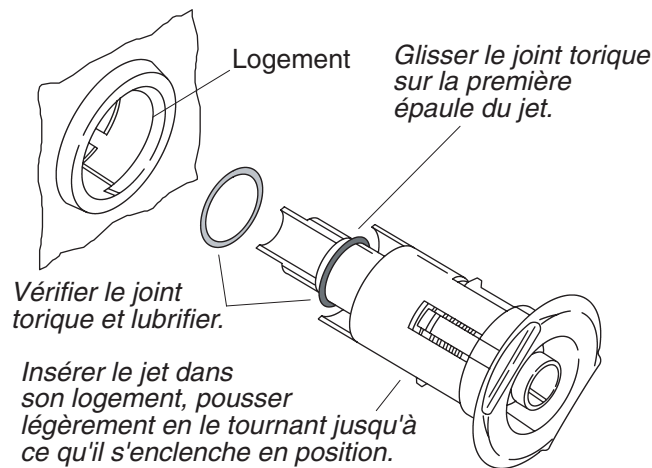
AVERTISSEMENT : Risque d'électrocution. Afin de réduire les risques de choc électrique, connecter la pompe à une prise de terre, protégée par un Disjoncteur de Fuite de Terre (GFCI) ou un appareil de courant résiduel (RCD). Ceci fournira une mesure de protection additionnelle contre le risque d'électrocution. Un circuit dédié de 220-240 V, 20 A, 50/60Hz. est nécessaire.

- Le contrôle et le système de la baignoire à hydromassage ont été pré-câblés en usine. Un électricien agréé devrait faire la connexion de routine à la boîte de jonction.
- Connecter le service au boîtier de jonction. La boîte de jonction contient des câbles bleus, marrons et verts à rayures jaunes, ainsi qu'une cosse de mise à la terre.
- Fournir un équipement conducteur à la terre séparé pour la borne de la terre à l'intérieur du boîtier de jonction. **Ne pas connecter le conducteur de mise à la terre à d'autres conducteurs d'alimentation de courant.** Suivre tous les codes électriques locaux. Raccorder selon les codes nationaux et locaux.

Effectuer les connexions électriques (cont.)

- Un harnais a été pré-câblé en usine, permettant la communication entre le clavier, toutes les caractéristiques, et le contrôle. Aucun câblage supplémentaire n'est nécessaire, mais s'assurer que tous les câbles soient bien sécurisés.

REMARQUE : Votre harnais de câblage comprend une antenne pour la télécommande optionnelle. Ne pas modifier ni endommager cette antenne pendant l'installation.



11. Installer le kit de garniture de la baignoire à hydromassage

- Installer le kit de la garniture de la baignoire à hydromassage selon les instructions accompagnant la trousse de garniture. Observer avec attention les directives d'installation du jet ci-dessous - elles sont très importantes et sont incluses pour aider à réaliser une opération sans problème.

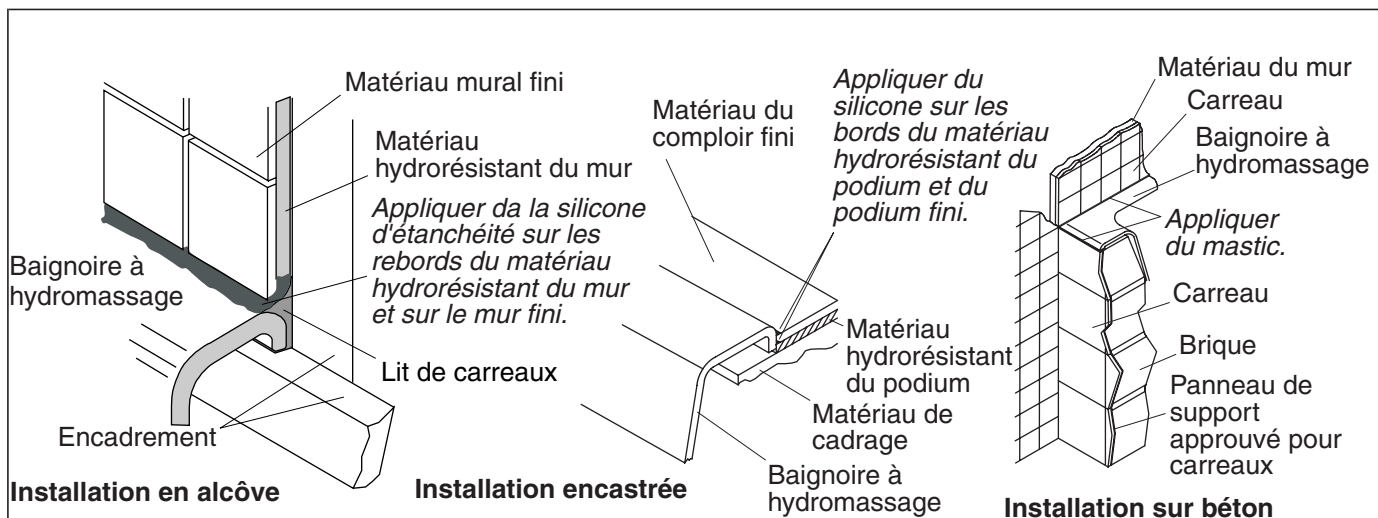
REMARQUE : Le joint torique doit être positionné correctement, il doit être en bon état et lubrifié adéquatement afin d'assurer la rotation et le bon fonctionnement du jet.

- Installer le joint torique sur le **premier épaulement** du jet. Lubrifier le joint torique avec de la silicone de lubrification afin d'éviter le fonctionnement bruyant du jet.
- Insérer délicatement le jet dans le logement, puis pousser et pivoter légèrement jusqu'à ce qu'il s'enclenche en place. **Ne pas forcer le jet.**

REMARQUE : Lorsqu'il est bien installé, le jet devrait pivoter aisément dans les deux sens.

12. Tester la baignoire à hydromassage

- Vérifier toutes les connexions électriques, et s'assurer que l'alimentation électrique de la baignoire à hydromassage est en marche.
- S'assurer que tous les raccords à la pompe et au chauffe-eau soient fermement serrés à la main.
- S'assurer également que les sangles de retenue des pompes aient été sectionnées et que la pompe repose directement sur le plancher. S'assurer que les pieds d'isolation en caoutchouc soient en place.
- Remplir la baignoire à hydromassage à au moins 2" (5,1 cm) au-dessus du jet le plus élevé.
- Opérer la baignoire à hydromassage pendant 5 minutes (se référer à la section « Séquence d'opération ») et inspecter tous les raccords des tuyaux de la baignoire à hydromassage, à l'arrière, de toutes fuites.
- Pour plus d'information concernant le fonctionnement de la baignoire à hydromassage, se référer à la section « Confirmation du bon fonctionnement ».



13. Compléter le mur/comptoir fini

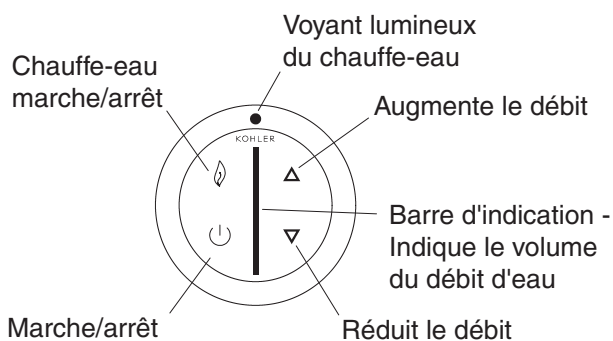
- Retirer soigneusement la pellicule de protection recouvrant le rebord de la baignoire à hydromassage si cela n'a pas déjà été fait.
- Couvrir l'encadrement avec du matériau hydrorésistant de mur/comptoir. Sceller les joints entre le rebord de la baignoire à hydromassage et le matériau hydrorésistant du mur/comptoir à l'aide d'un mastic à la silicone.
- Poser et appliquer le matériau hydrorésistant du mur/comptoir. Installer le mur/comptoir fini sur le matériau hydrorésistant du mur/comptoir. Étanchéfier les joints entre le rebord de la baignoire à hydromassage et le matériau du mur/comptoir fini à l'aide de silicone.
- Installer la garniture du robinet suivant les instructions emballées avec celle-ci.

14. Compléter l'installation en béton

- Retirer soigneusement la pellicule de protection recouvrant le rebord de la baignoire à hydromassage si cela n'a pas déjà été fait.
- Appliquer du mortier et poser les carreaux sur le mur, le comptoir et le matériau avoisinant selon le besoin.
- Appliquer un lit d'étanchéité à l'endroit où les carreaux rencontrent le rebord de la baignoire à hydromassage.
- Installer la garniture du robinet suivant les instructions emballées avec celle-ci.

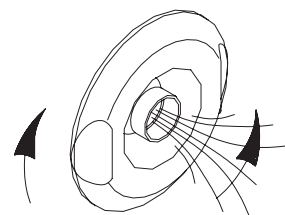
15. Nettoyage après installation

- Lors du nettoyage après installation, **ne pas utiliser de nettoyant abrasif**, car il pourrait rayer et abîmer la surface de la baignoire à hydromassage. Si nécessaire, nettoyer la surface de la baignoire à hydromassage avec un savon doux et de l'eau tiède ainsi que le clavier de l'utilisateur et la télécommande.
- Retirer les taches résistantes, peinture, ou goudron avec de l'essence de térébenthine ou un diluant pour peinture. **Ne pas laisser de nettoyants à base de distillats de pétrole rester en contact avec les surfaces de la baignoire à hydromassage pendant une longue période.** Retirer les résidus de plâtre en raclant au moyen d'un bord en bois. Ne pas utiliser de grattoirs en métal, une brosse en fer ou d'autres outils en métal. Utiliser des nettoyants en poudre sur un chiffon humide pour une action abrasive douce sur les résidus de plâtre.



Clavier de l'utilisateur illuminé

Tourner la bague du jet vers la droite pour diminuer le débit de l'eau.



Tourner la bague du jet vers la gauche pour augmenter le débit de l'eau.

16. Confirmer le bon fonctionnement

Remplir la baignoire à hydromassage

REMARQUE : Prière de lire ces étapes avec attention avant de faire fonctionner la baignoire à hydromassage.

- Orienter les buses du jet vers le fond du bassin. Tourner les bagues de garniture du jet complètement vers la gauche.
- **Remplir la baignoire à hydromassage à un niveau d'eau de 2" (5,1 cm) au moins au-dessus du jet le plus élevé.**

REMARQUE : La température de la baignoire à hydromassage ne devrait pas excéder 104°F (40° C). Le chauffe-eau s'arrêtera automatiquement si la température dépasse 104°F (40C) et restera arrêté jusqu'à ce que l'eau refroidisse.

17. Séquence d'opération

REMARQUE : Un chauffe-eau intégré aide automatiquement à maintenir la température de l'eau constante quand la baignoire à hydromassage est en marche, tant que la température de l'eau ne dépasse 104 °F (40 °C). Le chauffe-eau s'arrêtera aux températures plus hautes.

IMPORTANT ! Veuillez s'il vous plaît vous référer au guide du propriétaire pour de plus amples informations concernant l'utilisation du clavier et la télécommande.

- Presser le bouton On/Off pour activer la baignoire à hydromassage. La baignoire à hydromassage commencera à opérer avec un débit moyen.
- Augmenter ou diminuer le débit de l'eau en pressant sur les flèches haut et bas du clavier. Une barre d'indication située au centre du clavier indique le volume du débit d'eau.
- Ajuster chaque jet pour un mélange optimal d'eau et d'air. Pivoter l'anneau vers la droite pour réduire le débit d'air, ou vers la gauche pour l'augmenter.
- Presser sur l'icône du chauffe-eau pour l'arrêter ou le redémarrer. Lorsqu'allumé, le voyant lumineux indique que la température d'eau sera maintenue jusqu'à 104°F (40°C).
- Appuyer sur le bouton On/Off une deuxième fois, pour arrêter la baignoire à hydromassage.

REMARQUE : Une minuterie intégrée arrête automatiquement la pompe et le moteur après environ 20 minutes d'opération.

18. Procédures de dépannage

Ce guide de dépannage est seulement destiné à une aide générale. Seul un technicien agréé Kohler ou un électricien qualifié devrait corriger tous les problèmes électriques. Pour une réparation sous garantie, contacter le vendeur ou distributeur.

Dépannage du système d'hydromassage

Symptômes	Causes probables	Action recommandée
1. Le clavier ne s'illumine pas quand le bouton est pressé ou quand la bague extérieure est tournée.	<p>A. Pas d'alimentation au contrôle.</p> <p>B. Les disjoncteurs GFCI ou RCD se déclenchent.</p> <p>C. Le harnais du câblage du clavier est desserré, débranché ou endommagé.</p> <p>D. Le clavier ne fonctionne pas.</p> <p>E. Le contrôle ne fonctionne pas.</p>	<p>A. Vérifier le câblage et connecter l'alimentation électrique.</p> <p>B. Réinitialiser le GFCI ou le RCD.</p> <p>C. Vérifier que les connexions du câblage soient correctes. Remplacer le harnais du câblage si nécessaire.</p> <p>D. Remplacer le clavier.</p> <p>E. Remplacer le contrôle.</p>
2. Le moteur démarre, mais tous les jets ne fonctionnent pas.	<p>A. Le jet est fermé.</p> <p>B. Le jet n'est pas installé correctement.</p> <p>C. Les jets sont bloqués.</p>	<p>A. Tourner la bague du jet vers la gauche pour ouvrir.</p> <p>B. Réinstaller le jet; s'assurer que le joint torique n'est pas endommagé.</p> <p>C. Retirer le blocage.</p>
3. Le clavier est illuminé mais, ne répond pas aux boutons ou bague extérieure.	<p>A. Le programme de contrôle est verrouillé.</p> <p>B. Le harnais du câblage du clavier est desserré, débranché ou endommagé.</p> <p>C. Le clavier ne fonctionne pas.</p> <p>D. Le contrôle ne fonctionne pas.</p>	<p>A. Réinitialiser le GFCI ou le RCD.</p> <p>B. Vérifier que les connexions du câblage soient correctes. Remplacer le harnais du câblage si nécessaire.</p> <p>C. Remplacer le clavier.</p> <p>D. Remplacer le contrôle.</p>
4. La barre d'indication du clavier continue le balayage au démarrage.	<p>A. Le programme de contrôle est verrouillé.</p> <p>B. Le harnais du câblage du clavier est desserré, débranché ou endommagé.</p> <p>C. Le clavier ne fonctionne pas.</p> <p>D. Le contrôle ne fonctionne pas.</p>	<p>A. Réinitialiser le GFCI ou le RCD.</p> <p>B. Vérifier que les connexions du câblage soient correctes. Remplacer le harnais du câblage si nécessaire.</p> <p>C. Remplacer le clavier.</p> <p>D. Remplacer le contrôle.</p>
5. Le clavier est illuminé, mais la pompe de démarre pas.	<p>A. Le câble de la pompe est desserré, déconnecté ou endommagé.</p> <p>B. La pompe ne fonctionne pas.</p> <p>C. Le contrôle ne fonctionne pas.</p>	<p>A. Vérifier que les connexions du câblage soient correctes.</p> <p>B. Remplacer la pompe.</p> <p>C. Remplacer le contrôle.</p>
6. Le moteur fonctionne mais la pompe ne pompe pas (pompe cavitante).	<p>A. La pompe est trop élevée.</p> <p>B. Petite fuite d'air à l'entrée de la pompe.</p> <p>C. Le moteur/pompe ne fonctionne pas.</p> <p>D. Le contrôle ne fonctionne pas.</p>	<p>A. Baisser la pompe/contrôle au niveau du plancher.</p> <p>B. Serrer soigneusement le(s) écrou(s) des tuyaux de l'admission de la pompe.</p> <p>C. Remplacer le moteur/la pompe.</p> <p>D. Remplacer le contrôle.</p>
7. La pompe s'arrête automatiquement avant 18 minutes.	<p>A. Les disjoncteurs GFCI ou RCD se déclenchent.</p>	<p>A. Identifier la source du problème et effectuer les corrections nécessaires. Réinitialiser le GFCI ou le RCD.</p>

Procédures de dépannage (cont.)

Symptômes	Causes probables	Action recommandée
	<p>B. L'aspiration est bloquée.</p> <p>C. Les jets sont bloqués.</p> <p>D. Moteur surchauffé et système de protection activé.</p>	<p>B. Retirer l'obstruction.</p> <p>C. Retirer le blocage.</p> <p>D. Vérifier s'il y a un blocage à l'aspiration et/ou aux jets. Retirer l'obstruction et laisser le moteur refroidir.</p>
8. La pompe ne s'arrête pas automatiquement après 22 minutes.	A. La minuterie de 20 minutes s'arrête par inadvertance.	A. Consulter le manuel de service.
9. La pompe ne s'arrête pas quand le bouton de marche du clavier est pressé.	A. Le clavier ne fonctionne pas.	A. Remplacer le clavier.
	B. Le contrôle ne fonctionne pas.	B. Remplacer le contrôle.
10. La pompe fonctionne, mais la fonction de vitesse variable ne fonctionne pas.	A. Le moteur/pompe ne fonctionne pas.	A. Remplacer le moteur/la pompe.
	B. Le contrôle ne fonctionne pas.	B. Remplacer le contrôle.
11. L'eau de la baignoire se refroidit pendant le fonctionnement de la pompe.	A. La température de l'eau au-dessus de 104°F (40°C).	A. Laisser l'eau du bain refroidir.
	B. Le chauffe-eau est arrêté par le clavier.	B. Mettre le chauffe-eau en marche.
	C. Le câblage du chauffe-eau est desserré, débranché ou endommagé.	C. Vérifier que les connexions du câblage soient correctes.
	D. Le chauffe-eau ne fonctionne pas.	D. Remplacer le chauffe-eau.
	E. Le contrôle ne fonctionne pas.	E. Remplacer le contrôle.
12. Fonctionnement bruyant.	A. Les sangles de retenue de la pompe n'ont pas été coupées.	A. Couper les sangles de retenue avec des cisailles de ferblantier.
	B. Joint torique sec ou délogé (crissement).	B. Retirer le jet, remplacer et lubrifier le joint torique, et réinstaller le jet.
13. La télécommande (si équipé) ne fonctionne pas.	A. Les piles sont mal installées ou épuisées.	A. Remplacer les piles.
	B. L'antenne du câblage électrique est endommagée.	B. Remplacer le faisceau de câblage.
	C. La télécommande n'est pas correctement programmée.	C. Voir le guide du propriétaire ou le manuel de service.
	D. La télécommande ne fonctionne pas.	D. Remplacer la télécommande.
	E. Le contrôle ne fonctionne pas.	E. Remplacer le contrôle.

Guía de instalación

Bañera de hidromasaje con bomba a la medida

Información importante



ADVERTENCIA: Al usar aparatos eléctricos, siga siempre las precauciones básicas, incluyendo las siguientes:



PELIGRO: Riesgo de descarga eléctrica. Conecte sólo a circuitos protegidos con un interruptor de circuito con pérdida a tierra (GFCI) o dispositivo de corriente residual (RCD).

El material de construcción y el cableado se deben colocar lejos del cuerpo de la bomba y de otros componentes que produzcan calor.

Instale la unidad de manera que se permita el acceso para darle servicio.

El compartimento de cables incluye un conector de presión que tiene inscrito "Earth/Ground". Para reducir el riesgo de descarga eléctrica, conecte este conector al terminal de tierra de su tablero eléctrico o panel de suministro eléctrico con un cable de cobre del mismo tamaño que los conductores del circuito que alimentan este equipo.

Esta unidad incluye conectores de presión en la parte exterior de la caja de empalmes o control para permitir la conexión de un conductor de conexión a tierra entre este producto y cualquier metal expuesto en las proximidades de la unidad, tal como lo requieren las normas locales.

La conexión a tierra es un requisito. Un representante de servicio autorizado debe instalar esta unidad y conectarla a tierra.



ADVERTENCIA: Riesgo de descarga eléctrica. Un electricista calificado debe realizar todas las conexiones eléctricas.



ADVERTENCIA: Riesgo de descarga eléctrica. Desconecte el suministro eléctrico antes de dar servicio.



ADVERTENCIA: Riesgo de lesiones personales o daños a la propiedad. Lea atentamente todas las instrucciones antes de comenzar la instalación, incluyendo los requisitos detallados a continuación.

AVISO: Cumpla con todos los códigos locales de electricidad y de plomería.

Información sobre el producto

Requisitos eléctricos

La instalación debe contar con un interruptor de circuito con pérdida a tierra (GFCI) de Clase A o dispositivo de corriente residual (RCD). El GFCI o RCD protege contra el peligro de descarga eléctrica de línea a tierra. **Utilice un circuito dedicado de 220 - 240 V, 20 A, 50/60 Hz para la bañera de hidromasaje.**

Avisos sobre el producto



ADVERTENCIA: Las modificaciones no autorizadas pueden causar un funcionamiento peligroso y bajo rendimiento de la bañera de hidromasaje. Esta bañera de hidromasaje posee una característica opcional para instalar la bomba a la medida. Si ha pedido esta opción, las conexiones para la bomba estarán ya montadas en la bañera de hidromasaje cuando la reciba. La bomba debe colocarse únicamente en este lugar. No realice modificaciones al sistema de hidromasaje, pues esto podría tener un efecto adverso en el rendimiento y en el funcionamiento seguro de la unidad. La empresa Kohler no se hace responsable bajo esta garantía o de ninguna otra forma, de las lesiones

Información sobre el producto (cont.)

personales o los daños provocados por modificaciones no autorizadas.

Características

Los componentes incluyen una bomba, un calentador, un control e interruptores iluminados (teclado).

Acceso de servicio y a las conexiones

Antes de instalar, asegúrese de proveer el acceso adecuado a las conexiones finales.

AVISO: Provea bastante acceso, sin restricciones, para dar servicio a la bomba. Se debe proveer acceso para dar servicio a la bomba y los controles. El panel de acceso se debe ubicar justo al lado de la bomba. Consulte el diagrama de instalación incluido con la bañera de hidromasaje.

Contenido

Información importante	1
Información sobre el producto	1
Requisitos eléctricos	1
Avisos sobre el producto	1
Características	2
Acceso de servicio y a las conexiones	2
Antes de comenzar	3
Herramientas y materiales	3
Prepare el sitio	4
Prepare el sitio	5
Prepare la bañera de hidromasaje	5
Desconecte la bomba	6
Cambie el lugar de instalación de la bomba - Opción A	6
Cambie el lugar de instalación de la bomba - Opción B	6
Fije la bañera de hidromasaje al subpiso	7
Monte la bomba en el lugar a medida	9
Instale la plomería	10
Realice las conexiones eléctricas	10
Instale el kit de guarnición de la bañera de hidromasaje	12
Pruebe el funcionamiento de la bañera de hidromasaje	12
Termine la cubierta/pared acabada	13
Termine la instalación de concreto	13
Limpieza después de la instalación	13
Confirme el funcionamiento correcto	14
Secuencia de funcionamiento	14
Procedimientos para resolver problemas	15

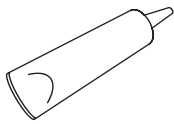
Antes de comenzar

AVISO: No levante la bañera de hidromasaje por los tubos o la bomba, ni use los tubos o la bomba como soporte estructural de la bañera de hidromasaje. Para evitar daño a la bañera de hidromasaje, levántela por los lados.

AVISO: No apoye el peso de la bañera de hidromasaje por el perímetro del borde. Para evitar daño al producto, apoye la bañera de hidromasaje por la base o los pies.

- Recomendamos esta bañera de hidromasaje para una instalación de sobreponer, en esquina o encajonada entre tres paredes.
- Verifique que la bañera de hidromasaje no esté dañada antes de iniciar la instalación.
- Es necesario instalar la bañera de hidromasaje en un subpiso nivelado y con suficiente soporte.
- Si va a utilizar un faldón opcional: construya el soporte adicional requerido e instale el faldón opcional antes de terminar el revestimiento del piso y las paredes. Consulte las instrucciones de instalación que se incluyen con el faldón.
- Verifique que haya suficiente soporte para la grifería de montaje en borde; las griferías grandes que puedan ser utilizadas inadvertidamente como medio de soporte no son apropiadas ni seguras para esta instalación.
- Kohler Co. se reserva el derecho de modificar el diseño de los productos sin previo aviso, tal como se especifica en la lista de precios.

Herramientas y materiales



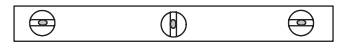
Sellador de
silicona



Cinta para medir



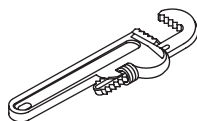
Lápiz



Nivel



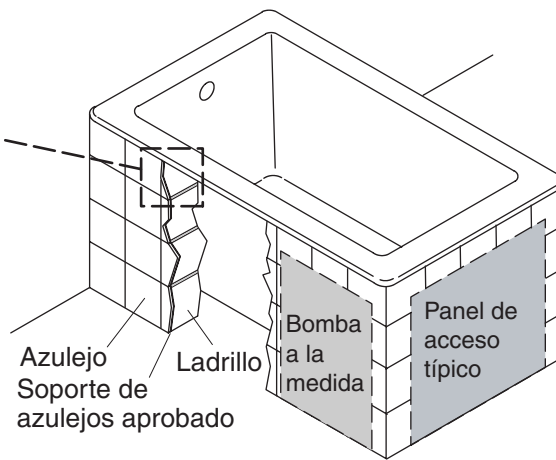
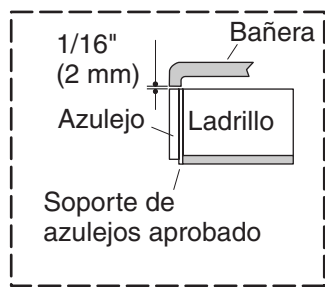
Lentes de
seguridad



Llave para
tubo

Más:

- Herramientas y materiales convencionales para instalar la madera y el concreto
- Lona para el piso



La bañera de hidromasaje se puede instalar junto a la pared o en isla.

Instale un panel de acceso para permitir el mantenimiento de la bomba.

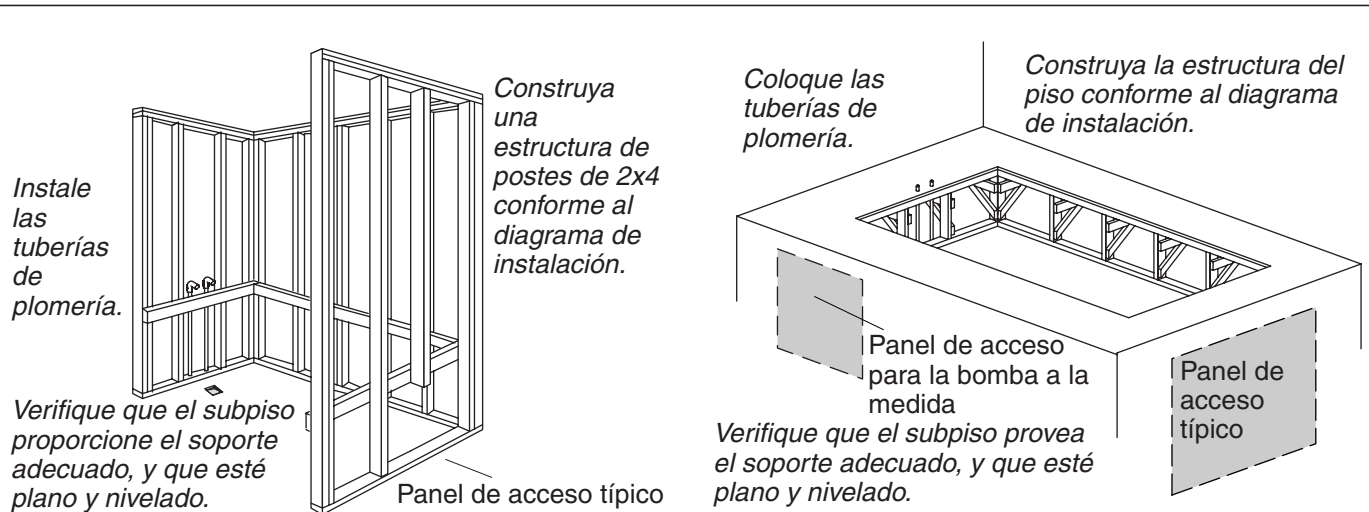
1. Prepare el sitio

Construcción de concreto

AVISO: Se debe proveer el soporte de piso adecuado. Consulte el diagrama de instalación incluido con su bañera de hidromasaje para obtener los requisitos de carga específicos para el piso.

AVISO: No apoye el peso de la bañera de hidromasaje por el perímetro del borde. Para evitar daño al producto, apoye la bañera de hidromasaje por la base o los pies.

- Asegúrese de que el piso ofrezca suficiente soporte para su bañera de hidromasaje y que el subpiso esté plano y nivelado.
- Esta bañera de hidromasaje se puede instalar junto a la pared o en isla. La instalación en isla requiere una estructura circundante por los cuatro lados. En ambos casos, verifique que la cubierta esté soportada por ladrillos o concreto.
- Instale un panel de acceso para facilitar el mantenimiento de la bomba.
- Construya soportes de ladrillo o concreto.
- **Para todas las instalaciones:** Para asegurarse de que la bañera de hidromasaje no descance en el borde, construya una estructura de postes de madera en el piso o una estructura de postes de madera para una instalación elevada. Consulte el diagrama de instalación provisto con esta bañera.
- Si va a instalar un faldón, construya el soporte adicional requerido en este momento. Consulte las instrucciones de instalación que se incluyen con el faldón.
- Instale la tubería según el diagrama de instalación provisto con la bañera. Tape los suministros y verifique que no haya fugas.



2. Prepare el sitio

Construcción de madera

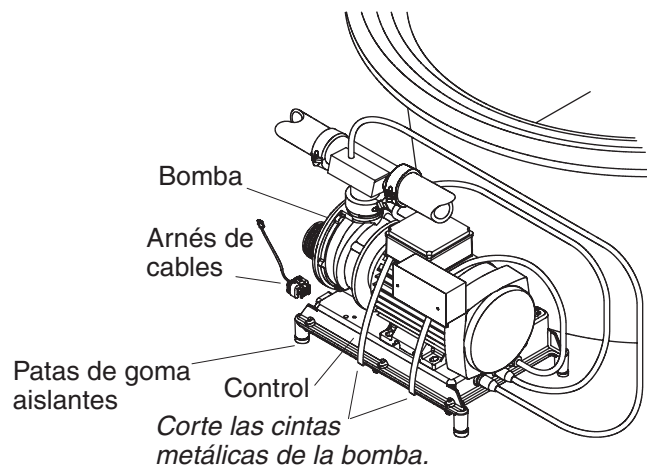
AVISO: Se debe proveer el soporte de piso adecuado. Consulte el diagrama de instalación incluido con su bañera de hidromasaje para obtener los requisitos de carga específicos para el piso.

AVISO: No apoye el peso de la bañera de hidromasaje por el perímetro del borde. Para evitar daño al producto, apoye la bañera de hidromasaje por la base o los pies.

- Asegúrese de que el piso ofrezca suficiente soporte para su bañera de hidromasaje y que el subpiso esté plano y nivelado.
- Esta bañera de hidromasaje puede montarse en una instalación de sobreponer, en esquina o encajonada entre tres paredes. Construya una estructura de postes de 2x4 para su instalación en particular. Construya la estructura del piso o construya una estructura para una instalación elevada, conforme a la información del diagrama de instalación provista con la bañera de hidromasaje.
- Utilice la información del diagrama de instalación para trazar la abertura y cortar con cuidado el material de la cubierta no acabada.
- Instale un panel de acceso para facilitar el mantenimiento de la bomba.
- **Para todas las instalaciones:** Para asegurarse de que la bañera de hidromasaje no descansa en el borde, construya una estructura de postes de madera en el piso o una estructura de postes de madera para una instalación elevada. Consulte el diagrama de instalación provisto con esta bañera.
- Si va a instalar un faldón, construya el soporte adicional requerido en este momento. Consulte las instrucciones de instalación que se incluyen con el faldón.
- Coloque las tuberías según el diagrama de instalación. Tape los suministros y verifique que no haya fugas.

3. Prepare la bañera de hidromasaje

- Recomendamos utilizar tiras selladoras en las bañeras de borde recto, si uno o más lados de la bañera de hidromasaje entran en contacto con la pared. Esta tira selladora impide que el agua se filtre entre la bañera de hidromasaje y la pared. Siga las instrucciones incluidas con la tira selladora para instalarla en este momento.
- Instale el desagüe en la bañera de hidromasaje según las instrucciones del fabricante del desagüe. Aún no conecte la trampa.
- Coloque una lona gruesa limpia o un material similar en el fondo de la bañera de hidromasaje. Tenga cuidado de no rayar la superficie de la bañera de hidromasaje.



4. Desconecte la bomba

¡IMPORTANTE! No es necesario cortar el arnés (tubos) de la bañera de hidromasaje para esta instalación. Cualquier corte en el arnés de la bañera de hidromasaje anulará la garantía.

- Desconecte la bomba de la bañera de hidromasaje cortando las cintas metálicas con unas tijeras para chapa.

NOTA: Es posible que el calentador esté montado en la bomba o se encuentre en el lugar de instalación de la bomba a medida, dependiendo del modelo.

¡IMPORTANTE! Más adelante se describen dos métodos de reubicación de la bomba. Elija el método más apropiado para la instalación de su bañera de hidromasaje.

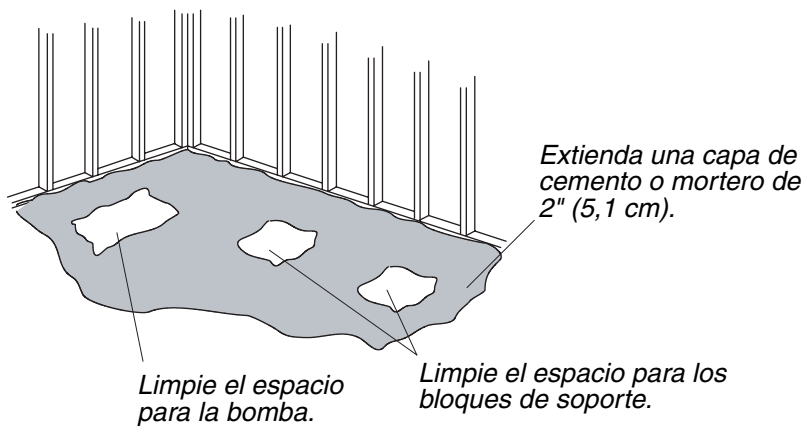
5. Cambie el lugar de instalación de la bomba - Opción A

Instalaciones de sobreponer

- Reubique el calentador y/o la bomba junto a las conexiones de entrada/salida, a medida, del arnés de la bañera de hidromasaje. Es posible que la bomba sobresalga del borde de la bañera de hidromasaje. Consulte el diagrama de instalación.
- Haga pasar los sujetacables provistos a través de los orificios en el soporte montado en la parte posterior de la bañera de hidromasaje y ubicado encima de la nueva bomba.
- Fije la bomba provisionalmente a la bañera de hidromasaje, atando los sujetacables alrededor de la bomba y el control.
- Siga todos los procedimientos de la sección "Instale la bañera de hidromasaje". Cuando mueva la bañera de hidromasaje a su lugar, la bomba estará suspendida temporalmente. Procure no dañar la bomba y el control cuando coloque la bañera de hidromasaje en posición.
- Retire las ataduras y conecte la bomba al arnés siguiendo todos los procedimientos de la sección "Monte la bomba en el lugar a medida".

6. Cambie el lugar de instalación de la bomba - Opción B

- Coloque la bomba a un lado.
- Siga todos los procedimientos de la sección "Instale la bañera de hidromasaje".
- Mueva la bomba al nuevo lugar a través del panel de acceso. Conecte la bomba al arnés siguiendo todos los procedimientos de la sección "Monte la bomba en el lugar a medida".



Aplique una tira de sellador de silicona alrededor de todo el borde

o

Aplique adhesivo de construcción en los bloques de soporte.

7. Fije la bañera de hidromasaje al subpiso

AVISO: No levante la bañera de hidromasaje por los tubos o la bomba, ni use los tubos o la bomba como soporte estructural de la bañera de hidromasaje. Para evitar daño a la bañera de hidromasaje, levántela por los lados.

- Elija la opción de instalación más apropiada para su instalación en particular. Siga las instrucciones correspondientes.
- Si el subpiso no está nivelado, acúñe los bloques de soporte de la bañera de hidromasaje según sea necesario.

Opción que utiliza una lechada de cemento o mortero

- Extienda una capa de 2" (5,1 cm) de espesor de cemento o mortero en el subpiso donde se instalará la bañera de hidromasaje. Esto ayudará a fijar, nivelar y dar soporte a la unidad. Limpie todo el material de los lugares donde se instalarán el control de la bomba y los bloques de soporte.

NOTA: No utilice cemento de yeso o pasta para paneles de yeso con esta aplicación, puesto que no proporcionarán una adherencia aceptable ni duradera.

NOTA: El control de la bomba (cuando las cintas metálicas estén cortadas) y los bloques de soporte deben descansar directamente en el subpiso.

- Coloque un pedazo de lona gruesa de plástico sobre el cemento o mortero. Obtenga ayuda para colocar con cuidado la bañera de hidromasaje en su lugar y verifique que el control de la bomba y los bloques de soporte no se apoyen sobre el material.
- Inserte el tubo final en la trampa. Asegúrese de que la bañera de hidromasaje esté nivelada y apoyada sobre todos los bloques de soporte.

Opción que utiliza adhesivo de construcción

- Aplique una cantidad abundante de adhesivo de construcción de alta calidad en la parte inferior de los bloques de soporte. Obtenga ayuda para colocar con cuidado la bañera de hidromasaje en su lugar.
- Inserte el tubo final en la trampa. Asegúrese de que la bañera de hidromasaje esté nivelada y apoyada sobre todos los bloques de soporte.

Opción que utiliza sellador de silicona

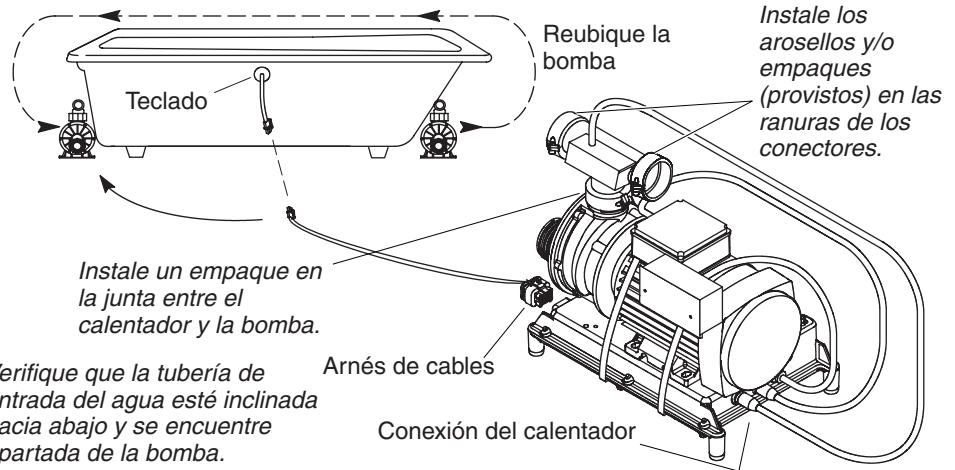
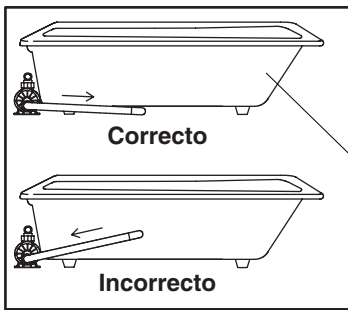
- Obtenga ayuda para colocar con cuidado la bañera de hidromasaje en su lugar.
- Inserte el tubo final en la trampa. Asegúrese de que la bañera de hidromasaje esté nivelada y apoyada sobre todos los bloques de soporte.

Fije la bañera de hidromasaje al subpiso (cont.)

- Aplique una tira continua de sellador de silicona de buena calidad alrededor de todo el borde de la bañera de hidromasaje.

Al instalar la bomba, asegúrese de retirar los tapones de las tuberías de entrada y salida.

Provea acceso a la bomba instalada para el mantenimiento futuro.



Reubique la bomba

Instale los arosellos y/o empaques (provistos) en las ranuras de los conectores.

Instale un empaque en la junta entre el calentador y la bomba.

Verifique que la tubería de entrada del agua esté inclinada hacia abajo y se encuentre apartada de la bomba.

Arnés de cables

Conexión del calentador

8. Monte la bomba en el lugar a medida

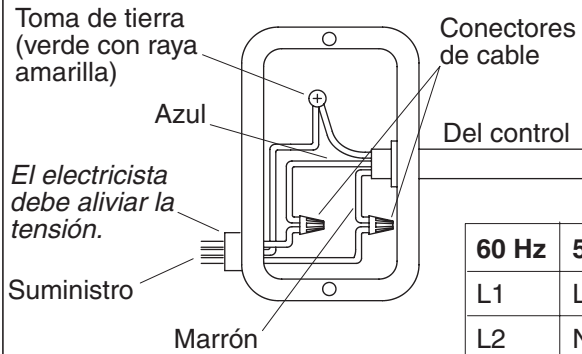
- Retire el embalaje protector de las tuberías de la bañera de hidromasaje. Corte únicamente los sujetos cables que sujetan las tuercas de sujeción del arnés.
- Retire los obturadores de las aberturas de entrada y salida de la bomba. Instale el empaque suministrado en la conexión donde se unen el calentador y la bomba. Instale los arosellos (O-ring)/empaques suministrados en las ranuras de los conectores de entrada y salida.
- Coloque la bomba y el control en su lugar. Asegúrese de que las patas aislantes de goma estén colocadas en su lugar.
- Enrosque las tuercas plásticas de sujeción de entrada y salida en la bomba y/o calentador hasta que los arosellos (O-ring) hagan contacto inicial.
- Apriete cada tuerca no más de otro cuarto de vuelta. **No utilice una llave ni apriete demasiado estas tuercas, pues pueden dañarse o producirse fugas.**
- Verifique que los tubos del arnés de la bañera de hidromasaje tengan la pendiente correcta (hacia abajo y hacia fuera) para facilitar el desagüe de agua de la bomba a través de las conexiones de succión. La bomba debe estar apoyada en el mismo subpiso, y a la misma altura que las patas de la bañera de hidromasaje. Acuña la bomba si es necesario en el subpiso, pero sólo a la altura suficiente como para permitir que el agua desagüe por la tubería de succión cuando se vacíe la bañera de hidromasaje.

NOTA: No acuña la bomba más de 1/4" (6 cm). Si se eleva demasiado, la bomba no cebará correctamente.

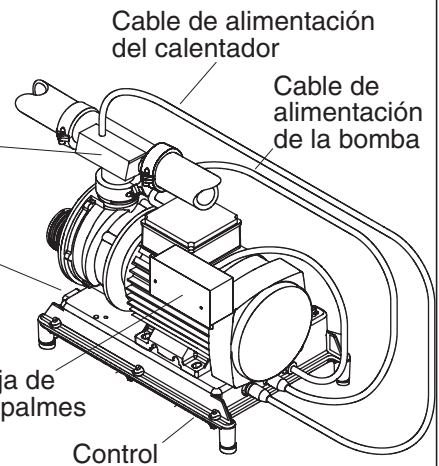
- Si su calentador ya está instalado en el lugar a medida, enchufe simplemente el cable del calentador en la conexión para el calentador del control, alineando las clavijas y presionando.
- Ubique el conductor sólido de cobre de calibre 8 que se encuentra en el soporte sobre el que se ha transportado la bomba. Haga pasar este cable conductor otra vez por la bomba y el control, en el lugar a medida, y conéctelo a una de las lengüetas de conexión a tierra de la caja de control. Esto es necesario para realizar la conexión a tierra del metal.
- Asegúrese de que el cable desde el teclado montado en la bañera esté conectado al arnés de cableado en el control.

El cableado de la caja de empalmes debe realizarse conforme a la ilustración.

Conecte conforme a los códigos nacionales y locales.



Calentador (depende del modelo) en T (ilustrado) o en línea (no ilustrado)



60 Hz	50 Hz	Del control
L1	L1	Marrón
L2	N	Azul

9. Instale la plomería



PRECAUCIÓN: Riesgo de daños a la propiedad. Asegúrese de que haya un sellado impermeable en el desagüe de la bañera de hidromasaje.

- Conecte el desagüe a la trampa según las instrucciones del fabricante del desagüe.

AVISO: Un panel de acceso facilitará el mantenimiento futuro.

- Instale las válvulas de la grifería según las instrucciones del fabricante de la grifería. No instale la guarnición de la grifería hasta que se le indique. Abra los suministros del agua caliente y fría, y compruebe que no haya fugas en las conexiones de suministro.
- Haga que el agua circule en la bañera de hidromasaje y compruebe que no haya fugas en las conexiones del desagüe.
- Si se requiere, instale las agarraderas. Consulte las instrucciones de instalación que se incluyen con las agarraderas.

10. Realice las conexiones eléctricas

NOTA: El número de modelo está impreso en una etiqueta ubicada del lado de la bomba de la bañera de hidromasaje. Esta etiqueta identifica la capacidad nominal eléctrica del producto. **Todas las bañeras de hidromasaje están equipadas con una caja de empalmes y están diseñadas para funcionar entre 220 V y 240 V a 50 Hz o 60 Hz.**



ADVERTENCIA: Riesgo de descarga eléctrica. Asegúrese de desconectar la corriente eléctrica antes de realizar el siguiente procedimiento. Consulte la sección "Información importante".



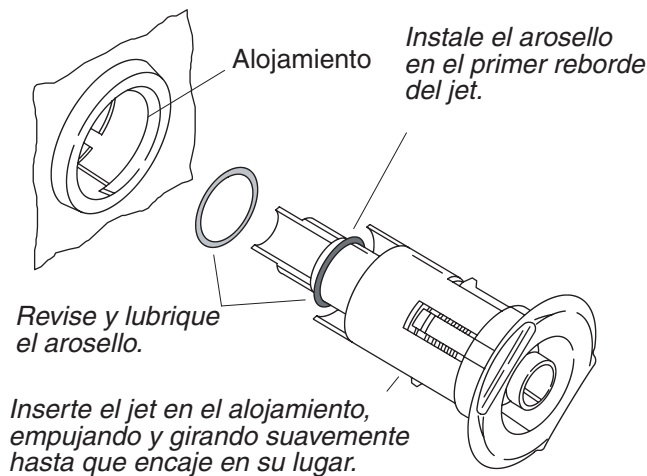
ADVERTENCIA: Riesgo de descarga eléctrica. Para reducir el riesgo de descarga eléctrica, conecte la bomba a un tomacorriente correctamente conectado a tierra protegido por un interruptor de circuito con pérdida a tierra (GFCI) o un dispositivo de corriente residual (RCD). Esto servirá de protección adicional contra el peligro de descarga eléctrica de línea a tierra. Se requiere un circuito dedicado de 220-240 V, 20 A, 50/60 Hz.

- El cableado del sistema y el control de la bañera de hidromasaje se ha realizado en la fábrica. Un electricista calificado debe realizar las conexiones eléctricas de la caja de empalmes.
- Conecte el cable de servicio eléctrico a la caja de empalmes. La caja de empalmes tiene cables azules, marrones y verdes con una raya amarilla, así como una lengüeta para la conexión a tierra
- Provea un conductor de tierra separado para la lengüeta de conexión a tierra que se encuentra en la caja de empalmes. **No conecte el conductor de tierra a ningún otro conductor de corriente.** Cumpla con todos los códigos eléctricos locales. Conecte conforme a los códigos nacionales y locales.

Realice las conexiones eléctricas (cont.)

- El cableado del arnés de cables se ha realizado en la fábrica, permitiendo la comunicación entre el teclado, todas las funciones y el control. No es necesario realizar ningún cableado adicional, pero asegúrese de que todos los cables se hayan afianzado bien.

NOTA: El arnés de cables incluye una antena para el control remoto opcional. No modifique ni dañe la antena durante la instalación.



11. Instale el kit de guarnición de la bañera de hidromasaje

- Instale el kit de guarnición de la bañera de hidromasaje según las instrucciones incluidas con el mismo. Siga atentamente los pasos de instalación de los jets que se presenta a continuación - pues los mismos contienen información importante para obtener un funcionamiento libre de problemas.

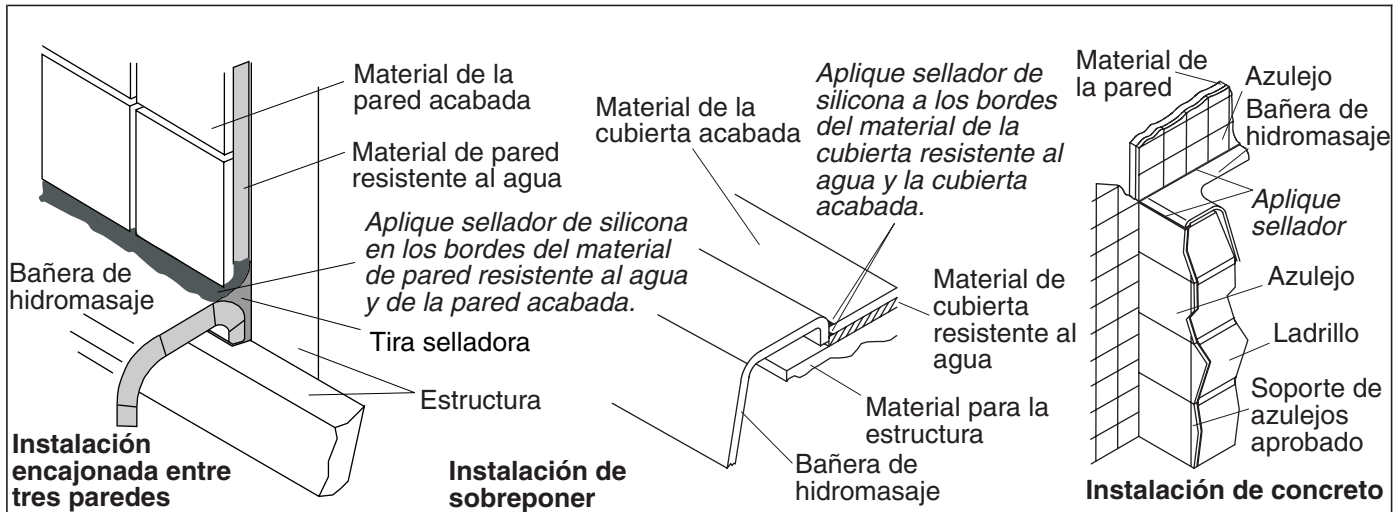
NOTA: El arosello (O-ring) del jet debe estar correctamente colocado, lubricado y en buenas condiciones para que el jet pueda girar fácilmente y funcione bien.

- Instale el arosello (O-ring) en el **primer reborde** del jet. Lubrique el arosello (O-ring) con lubricante de silicona para evitar que el jet haga ruido.
- Inserte con cuidado el jet en el alojamiento, empuje levemente y gire el jet hasta que encaje en su lugar. **No fuerce el jet.**

NOTA: Cuando está instalado correctamente, el jet gira sin problemas en ambos sentidos.

12. Pruebe el funcionamiento de la bañera de hidromasaje

- Revise todas las conexiones eléctricas y asegúrese de que la bañera de hidromasaje esté conectada a la alimentación eléctrica.
- Asegúrese de que todas las conexiones de unión de la bomba y el calentador estén bien apretadas a mano.
- Verifique que las cintas metálicas estén cortadas y que el control de la bomba descansa directamente sobre el subpiso. Asegúrese de que las patas aislantes de goma estén colocadas en su lugar.
- Llene la bañera de hidromasaje al menos 2" (5,1 cm) por encima del jet más alto.
- Haga funcionar la bañera de hidromasaje durante 5 minutos (consulte la sección "Secuencia de funcionamiento") y revise que no haya fugas en las conexiones de la tubería de el lado posterior de la bañera de hidromasaje.
- Para obtener información adicional acerca del funcionamiento de la bañera de hidromasaje, consulte la sección "Confirme el funcionamiento correcto".



13. Termine la cubierta/pared acabada

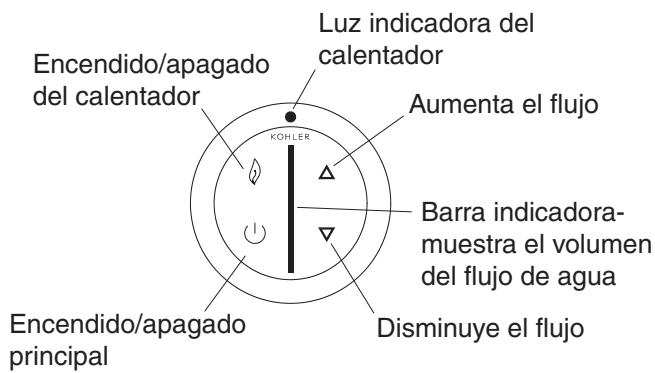
- Retire con cuidado la cinta protectora del borde de la bañera de hidromasaje, si aún no lo ha hecho.
- Cubra la estructura con un material de cubierta/pared resistente al agua. Selle las juntas entre el filo del borde de la bañera de hidromasaje y el material resistente al agua de la pared/cubierta con sellador de silicona.
- Adhiera el material resistente al agua a la pared o cubierta con cinta y yeso. Instale la pared acabada/cubierta con el material resistente al agua para la pared/cubierta. Selle las juntas entre el borde de la bañera de hidromasaje y la pared acabada/cubierta utilizando sellador de silicona.
- Instale la guarnición de la grifería conforme a las instrucciones incluidas con la guarnición.

14. Termine la instalación de concreto

- Retire con cuidado la cinta protectora del borde de la bañera de hidromasaje, si aún no lo ha hecho.
- Aplique cemento de construcción y adhiera los azulejos a la pared, cubierta y al material circundante según sea necesario.
- Aplique una tira de sellador en los lugares donde el azulejo entre en contacto con la superficie de la bañera de hidromasaje.
- Instale la guarnición de la grifería conforme a las instrucciones incluidas con la guarnición.

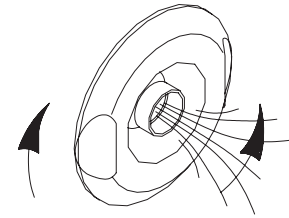
15. Limpieza después de la instalación

- Al limpiar después de la instalación, **no utilice productos de limpieza abrasivos**, pues pueden rayar y opacar la superficie de la bañera de hidromasaje. De ser necesario, utilice agua tibia y un detergente líquido para limpiar la superficie de la bañera de hidromasaje, el teclado y el control remoto.
- Limpie las manchas difíciles de quitar, la pintura y el alquitrán con aguarrás o diluyente de pintura. **No permita que los productos de limpieza que contengan destilados de petróleo permanezcan en contacto con la superficie de la bañera de hidromasaje por periodos prolongados.** El yeso se puede eliminar raspando con un canto de madera. No utilice raspadores de metal, cepillos de alambre ni otras herramientas metálicas. Se puede utilizar un detergente en polvo con un trapo húmedo para proporcionar una acción abrasiva suave en los residuos de yeso.



Teclado iluminado

Gire la guarnición del jet hacia la derecha para disminuir el flujo.



Gire la guarnición del jet hacia la izquierda para aumentar el flujo.

16. Confirme el funcionamiento correcto

Llene la bañera de hidromasaje

NOTA: Por favor, lea atentamente estos pasos antes de activar la bañera de hidromasaje.

- Coloque las boquillas de los jets de manera que miren hacia abajo en la bañera. Gire los anillos decorativos de los jets totalmente hacia la izquierda.
- **Llene la bañera de hidromasaje con agua al menos 2" (5,1 cm) por encima de la parte superior del jet más alto.**

NOTA: La temperatura del agua en la bañera de hidromasaje no debe exceder de 104°F (40°C). El calentador se apagará automáticamente conforme la temperatura del agua alcance los 104°F (40°C) y permanecerá apagado hasta que el agua se enfríe.

17. Secuencia de funcionamiento

NOTA: El calentador integrado ayuda automáticamente a mantener la temperatura del agua mientras la bañera esté en marcha, siempre y cuando la temperatura no sobrepase los 104°F (40°C). El calentador se apagará a temperaturas superiores.

¡IMPORTANTE! Consulte la Guía del usuario para obtener las instrucciones detalladas del teclado y del control remoto opcional.

- Oprima el icono de encendido/apagado principal para encender la bañera de hidromasaje. La bañera de hidromasaje comenzará a funcionar con un flujo medio.
- En el teclado, oprima los botones de flecha hacia arriba o hacia abajo para aumentar o disminuir el flujo de agua. La barra indicadora en el centro del teclado muestra el caudal del flujo de agua.
- Ajuste cada jet para obtener una mezcla óptima de aire/agua. Gire la guarnición del jet hacia la derecha para reducir el flujo de aire, y hacia la izquierda para aumentarlo.
- Oprima el icono del calentador para apagarlo y volver a encenderlo. Cuando está iluminada, la luz indicadora muestra que la temperatura del agua se va a mantener hasta 104°F (40°C).
- Vuelva a oprimir el botón de encendido/apagado principal por segunda vez para apagar la bañera de hidromasaje.

NOTA: El temporizador integrado apaga automáticamente el motor y la bomba después de aproximadamente 20 minutos de funcionamiento.

18. Procedimientos para resolver problemas

Esta guía para resolver problemas está diseñada únicamente como ayuda general. Todos los problemas eléctricos deben ser resueltos por un representante de servicio autorizado de Kohler o un electricista calificado. Para obtener servicio cubierto por la garantía, póngase en contacto con el vendedor o el distribuidor mayorista.

Guía para resolver problemas del sistema de la bañera de hidromasaje

Síntomas	Causas probables	Acción recomendada
1. El teclado no se ilumina cuando se oprime el botón de encendido o se hace girar el anillo externo.	<p>A. El control no tiene alimentación eléctrica.</p> <p>B. El interruptor GFCI o RCD se ha disparado.</p> <p>C. El arnés de cables del teclado al control está suelto, desconectado o dañado.</p> <p>D. El teclado no funciona.</p> <p>E. El control no funciona.</p>	<p>A. Verifique el cableado y conecte el suministro eléctrico.</p> <p>B. Oprima el botón de restablecer el interruptor GFCI o RCD.</p> <p>C. Revise que los cables estén correctamente conectados. Reemplace el arnés de cables de ser necesario.</p> <p>D. Reemplace el teclado.</p> <p>E. Reemplace el control.</p>
2. El motor se enciende, pero no todos los jets funcionan.	<p>A. El jet está cerrado.</p> <p>B. El jet no está instalado correctamente.</p> <p>C. Los jets están obstruidos.</p>	<p>A. Gire la guarnición del jet hacia la izquierda para abrirlo.</p> <p>B. Vuelva a instalar el jet; revise que el arosello (O-ring) no esté dañado.</p> <p>C. Elimine la obstrucción.</p>
3. El teclado está iluminado, pero no responde a los botones o anillo externo.	<p>A. El programa del control está bloqueado.</p> <p>B. El arnés de cables del teclado al control está suelto, desconectado o dañado.</p> <p>C. El teclado no funciona.</p> <p>D. El control no funciona.</p>	<p>A. Oprima el botón de restablecer el interruptor GFCI o RCD.</p> <p>B. Revise que los cables estén correctamente conectados. Reemplace el arnés de cables de ser necesario.</p> <p>C. Reemplace el teclado.</p> <p>D. Reemplace el control.</p>
4. Al encender la unidad, la barra indicadora del teclado continúa en modo de búsqueda.	<p>A. El programa del control está bloqueado.</p> <p>B. El arnés de cables del teclado al control está suelto, desconectado o dañado.</p> <p>C. El teclado no funciona.</p> <p>D. El control no funciona.</p>	<p>A. Oprima el botón de restablecer el interruptor GFCI o RCD.</p> <p>B. Revise que los cables estén correctamente conectados. Reemplace el arnés de cables de ser necesario.</p> <p>C. Reemplace el teclado.</p> <p>D. Reemplace el control.</p>
5. El teclado está iluminado pero la bomba no se enciende.	<p>A. El cable eléctrico de la bomba al control está suelto, desconectado o dañado.</p> <p>B. La bomba no funciona.</p> <p>C. El control no funciona.</p>	<p>A. Revise que los cables estén correctamente conectados.</p> <p>B. Reemplace la bomba.</p> <p>C. Reemplace el control.</p>
6. El motor funciona pero la bomba no hace el cebado (se produce cavitación).	<p>A. La bomba se ha acuñado demasiado.</p> <p>B. Pequeña fuga de aire en la entrada de la bomba.</p> <p>C. El motor/bomba no funciona.</p> <p>D. El control no funciona.</p>	<p>A. Baje la bomba/control al nivel del subpiso.</p> <p>B. Apriete firmemente la(s) tuerca(s) del lado de admisión de la bomba.</p> <p>C. Reemplace el motor/bomba.</p> <p>D. Reemplace el control.</p>

Procedimientos para resolver problemas (cont.)

Síntomas	Causas probables	Acción recomendada
7. La bomba se detiene antes de funcionar durante 18 minutos.	<p>A. El interruptor GFCI o RCD se ha disparado.</p> <p>B. La succión está obstruida.</p> <p>C. Los jets están obstruidos.</p> <p>D. El motor se ha sobrecalentado, activando el dispositivo de protección.</p>	<p>A. Identifique la causa de la falla y corrija. Oprima el botón de restablecer el interruptor GFCI o RCD.</p> <p>B. Elimine la obstrucción.</p> <p>C. Elimine la obstrucción.</p> <p>D. Verifique que no haya obstrucciones en la succión y/o jets. Elimine la obstrucción y deje enfriar el motor.</p>
8. La bomba no se apaga automáticamente después de 22 minutos.	<p>A. El temporizador de 20 minutos se ha desactivado inadvertidamente.</p>	<p>A. Consulte el manual de mantenimiento.</p>
9. La bomba no se apaga cuando se oprime el botón de encendido/apagado en el teclado.	<p>A. El teclado no funciona.</p> <p>B. El control no funciona.</p>	<p>A. Reemplace el teclado.</p> <p>B. Reemplace el control.</p>
10. La bomba funciona pero la opción de velocidad variable no funciona.	<p>A. El motor/bomba no funciona.</p> <p>B. El control no funciona.</p>	<p>A. Reemplace el motor/bomba.</p> <p>B. Reemplace el control.</p>
11. El agua de la bañera se enfría mientras la bomba está funcionando.	<p>A. La temperatura del agua sobrepasa los 104°F (40°C).</p> <p>B. El botón del calentador está apagado en el teclado.</p> <p>C. El cable del calentador al control está suelto, desconectado o dañado.</p> <p>D. El calentador no funciona.</p> <p>E. El control no funciona.</p>	<p>A. Deje enfriar el agua de la bañera.</p> <p>B. Encienda el calentador.</p> <p>C. Revise que los cables estén correctamente conectados.</p> <p>D. Reemplace el calentador.</p> <p>E. Reemplace el control.</p>
12. Funcionamiento ruidoso.	<p>A. Las cintas metálicas de la bomba no se han cortado.</p> <p>B. El arosello (O-ring) del jet está mal colocado o seco (ruidoso).</p>	<p>A. Corte las cintas metálicas con unas tijeras para chapa.</p> <p>B. Extraiga el jet, reemplace y lubrique el arosello (O-ring); vuelva a instalar el jet.</p>
13. El control remoto (si está equipado) no funciona.	<p>A. Pilas mal instaladas o descargadas.</p> <p>B. La antena del arnés de cables está dañada.</p> <p>C. El control remoto no se ha programado correctamente.</p> <p>D. El control remoto no funciona.</p> <p>E. El control no funciona.</p>	<p>A. Reemplace las pilas.</p> <p>B. Reemplace el arnés de cables.</p> <p>C. Consulte la guía del usuario o el manual de mantenimiento.</p> <p>D. Reemplace el control remoto.</p> <p>E. Reemplace el control.</p>

USA/Canada: 1-800-4KOHLER

México: 001-877-680-1310

kohler.com

THE BOLD LOOK
OF **KOHLER**®

©2008 Kohler Co.

1022199-2-F