

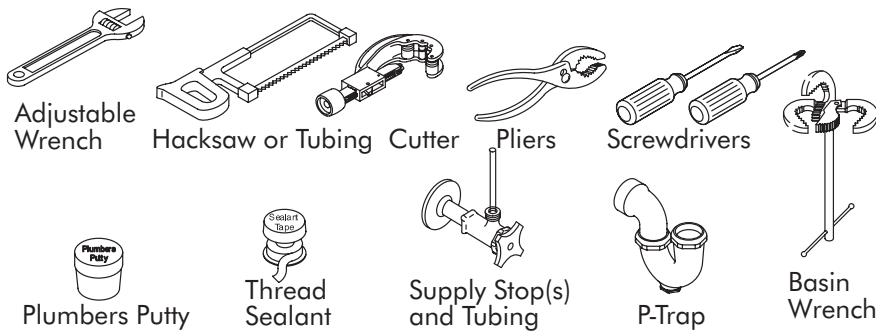
INSTALLATION

G U I D E

ANTIQUETM
BAR
SINK
FAUCET

THE BOLD LOOK
OF **KOHLER**®

RECOMMENDED TOOLS AND MATERIALS

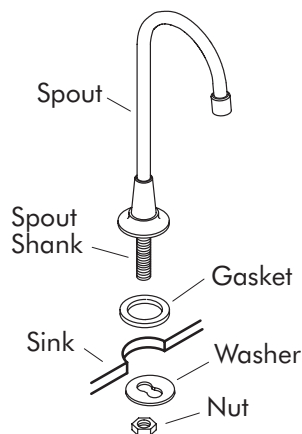


BEFORE YOU BEGIN

- Shut off the main water supply.
- Observe local plumbing codes.
- If possible, install this faucet before installing the sink.
- Inspect the supply tubing for damage. Replace as necessary.
- Kohler Co. reserves the right to make revisions in the design of faucets without notice, as specified in the Price Book.

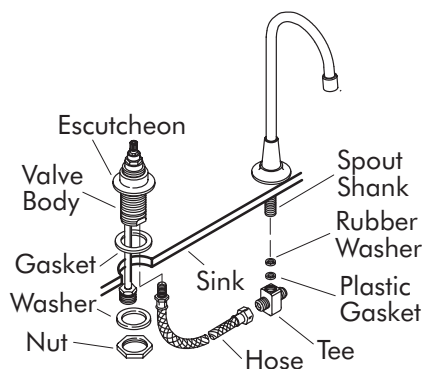
1. SPOUT INSTALLATION

Slide gasket over spout shank and place through sink. From under the sink, position washer onto spout shank with extra hole facing to the rear of sink and secure with nut.



2. VALVE BODY/TEE INSTALLATION

Slide gasket over valve body and thread on escutcheon.
Attach hose, using thread sealant.
Do not overtighten.
Place assembly through sink with hot valve (unmarked) on left side and secure with washer and nut.
Place plastic gasket and rubber washer into tee and attach to spout shank.
Connect hoses to tee.



3. HANDLE INSTALLATION

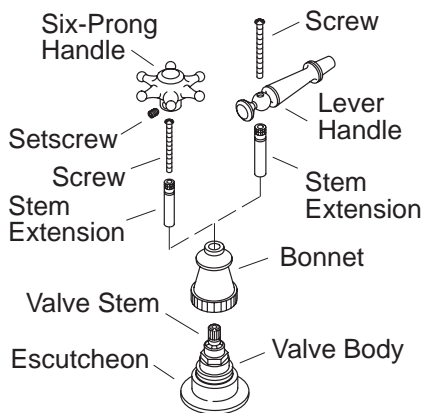
Thread bonnet onto valve body until tight against escutcheon.

LEVER HANDLE

Insert stem extension into bonnet and press onto valve stem. Properly align lever handle, press onto stem extension and secure with screw.

SIX-PRONG HANDLE

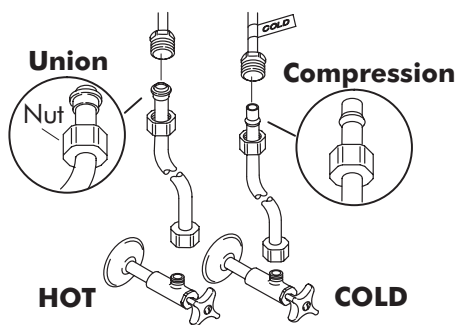
Insert stem extension into bonnet and press onto valve stem. Secure stem extension with screw. Press handle onto stem extension with text on ceramic button properly aligned and secure with setscrew.



IF THE SINK IS NOT INSTALLED, INSTALL IT AT THIS TIME. BE SURE TO FOLLOW ALL INSTRUCTIONS PACKED WITH THE SINK.

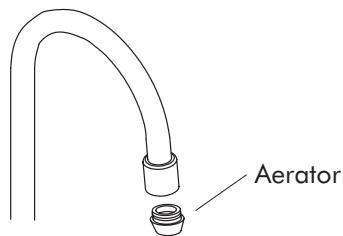
4. CONNECT SUPPLIES

Identify your supply connection type. Connect the supply tubes to the supply stops. (Left is hot – right is cold.)
Tighten all connections.



5. INSTALLATION CHECKOUT

Install strainer body, tailpiece, and P-trap as needed.
Turn on the main water supply and check for leaks.
Remove the aerator.
Open both hot and cold valves and run water through the spout to remove any debris.
Turn the valves off.
Reinstall the aerator.



CALL US FOR HELP

Questions? Problems? First review the installation instructions to ensure correct installation. For additional assistance in the USA, call our Customer Service Department for direct help. You may also contact us at our web site listed below.

1-800-4-KOHLER

THE BOLD LOOK
OF **KOHLER**[®]
www.kohlerco.com