

**BAR SINK FAUCET
K-118**

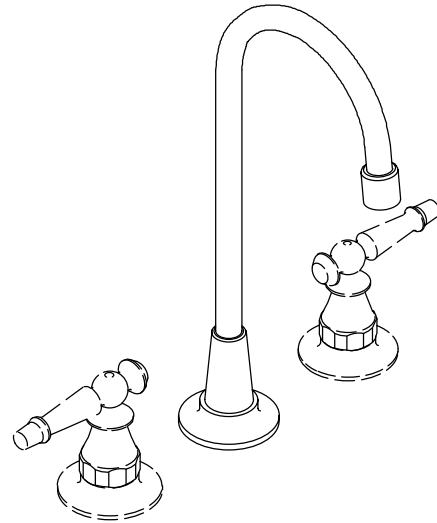
FEATURES

- Brass construction
- Flexible connections
- Brass valve bodies
- Quarter-turn washerless ceramic disc valves
- 5" High Country™ swing spout
- 2.2 gallons per minute
- Available with six-prong or lever handles

CODES/STANDARDS APPLICABLE

Specified model meets or exceeds the following:



- ASME/ANSI A112.18.1M
- Energy Policy Act of 1992
- IAPMO/UPC
- NSF 61

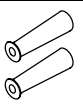


COLORS/FINISHES

- CP Polished Chrome
- PB Polished Brass

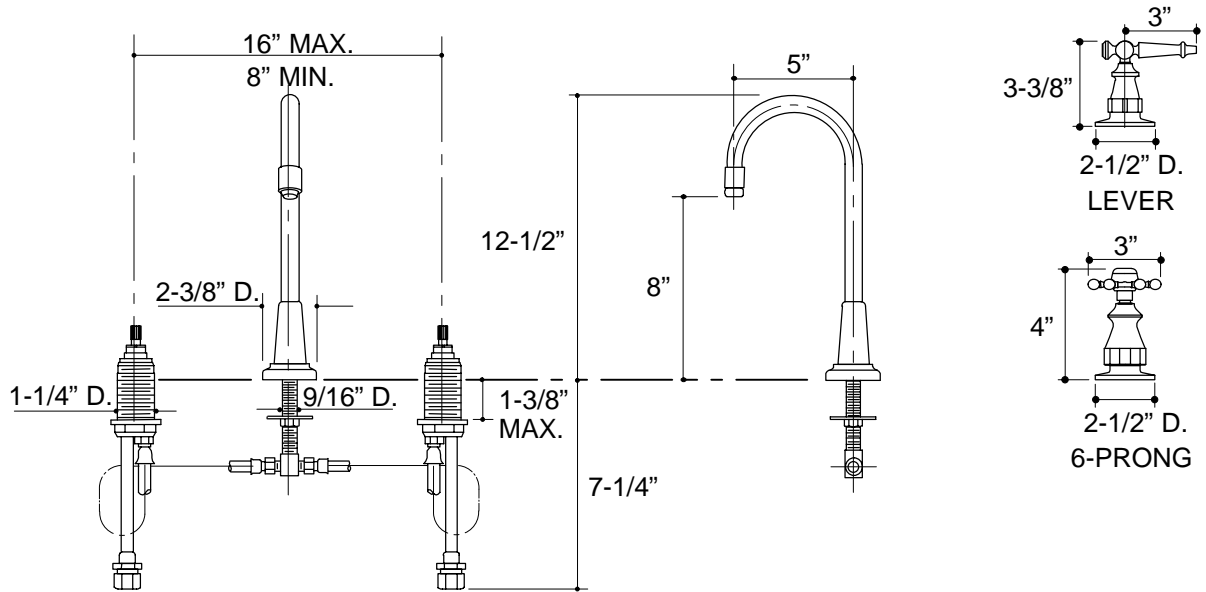
SPECIFIED MODEL:

Model	Description		 ADA
K-118-3	With Six-Prong Handles	<input type="checkbox"/> CP <input type="checkbox"/> PB	
K-118-4	With Lever Handles		<input type="checkbox"/> CP <input type="checkbox"/> PB

Optional Accessories		
K-9637	Small Lever Inserts, Pair	<input type="checkbox"/> CP <input type="checkbox"/> PB
K-9657	Small Lever Inserts, Pair	<input type="checkbox"/> Other

PRODUCT SPECIFICATION:

Two-handle bar sink faucet shall be of brass construction. Faucet shall feature brass valve bodies. Faucet shall feature quarter-turn washerless ceramic disc valves, assuring positive handle stop positioning. Product shall include flexible connections, 5" High Country swing spout, and six-prong or lever handles. Faucet shall be Kohler Model K-118-_____-_____.



PRODUCT DIAGRAM