

Features

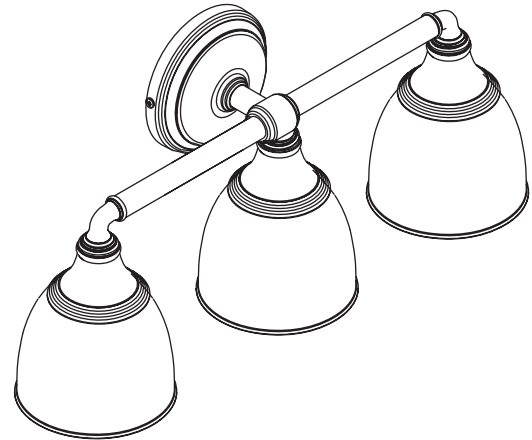
- Metal construction
- Complements Devonshire® faucet line
- Includes installation hardware

Codes/Standards Applicable

Specified model meets or exceeds the following:

- Underwriter's Laboratories (UL)
- CSA International

WALL SCONCE
K-10570
ALSO K-10571, K-10572



Colors/Finishes

- CP: Polished Chrome
- BN: Brushed Nickel
- G: Brushed Chrome

Specified Model

Model	Description	Colors/Finishes		
K-10570	One-light sconce (not shown)	<input type="checkbox"/> CP	<input type="checkbox"/> BN	<input type="checkbox"/> G
K-10571	Two-light sconce (not shown)	<input type="checkbox"/> CP	<input type="checkbox"/> BN	<input type="checkbox"/> G
K-10572	Triple-light sconce (shown)	<input type="checkbox"/> CP	<input type="checkbox"/> BN	<input type="checkbox"/> G

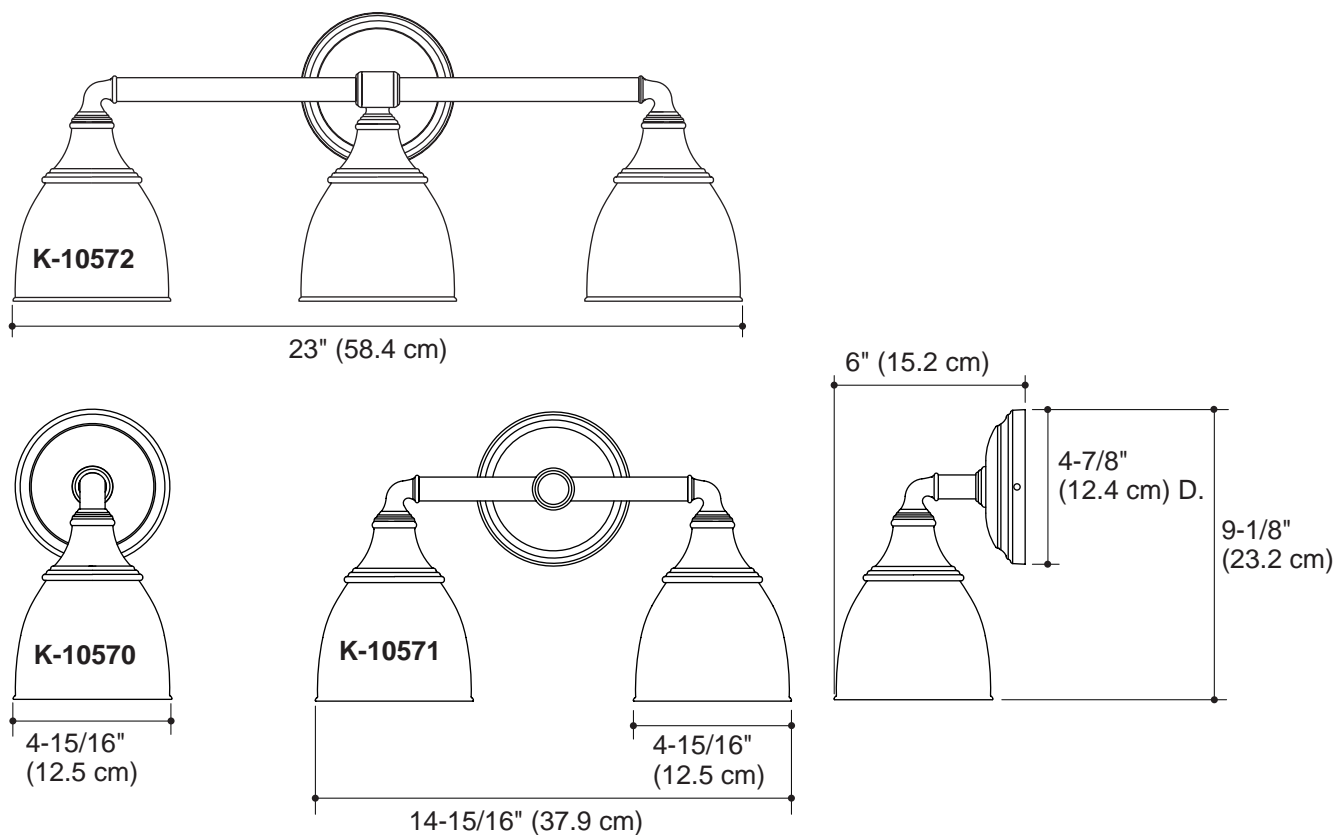
Product Specification:

The wall sconce shall be of metal construction. Wall sconce shall include installation hardware. Wall sconce shall complement the Devonshire® faucet line. Wall sconce shall be Kohler Model K-____-____.

DEVONSHIRE®

Installation Notes

Install this product according to the installation guide.



Product Diagram