

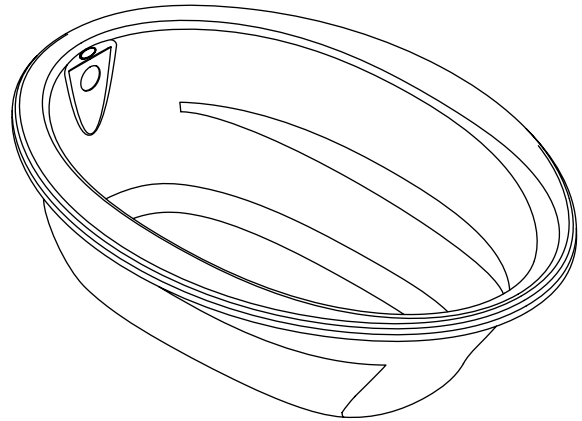
### Features

- Acrylic
- Oval shape
- Molded lumbar supports and armrests
- 72" (182.9 cm) x 42" (106.7 cm) x 21" (53.3 cm)

### Codes/Standards Applicable

Specified model meets or exceeds the following:

- ANSI Z124.1
- IAPMO/UPC



### Colors/Finishes

- 0: White
- Other: Refer to Price Book for additional colors/finishes

### Accessories:

- CP: Polished Chrome

### Specified Model

Model	Description	Colors/Finishes	
K-1165	Bath, drop-in (shown)	<input type="checkbox"/> 0 White	<input type="checkbox"/> Other_____
Recommended Accessory			
K-11677	Drain	<input type="checkbox"/> CP	

### Product Specification:

The oval shaped bath whirlpool shall be 72" (182.9 cm) in length, 42" (106.7 cm) in width, and 21" (53.3 cm) in height. Bath whirlpool shall be made of acrylic. Bath whirlpool shall have molded lumbar supports and armrests. Bath whirlpool shall be Kohler Model K-1165-\_\_\_\_\_.

# SUNWARD™

## Technical Information

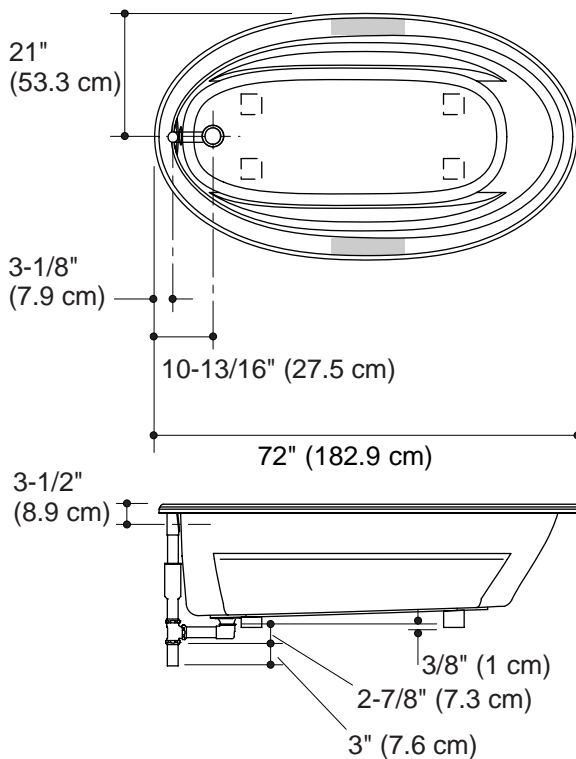
Fixture:*	basin area	top area	weight
Bathing well	55-1/4" (140.3 cm) x 23-1/2" (59.7 cm)	64-1/2" (163.8 cm) x 32" (81.3 cm)	93 lbs. (42.2 kg)
	water depth	capacity	
To overflow	15" (38.1 cm)	75 gal. (284.1 L)	
* Approximate measurements for comparison only.			
Included Components:			
Cutout template		1042557-7	

## Installation Notes

Install this product according to the installation guide.

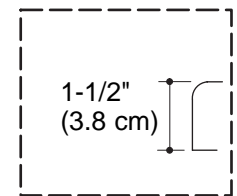
Floor support under bath must provide for a minimum of 80 lbs./square foot (390 kg/square meter) loading.

No change in measurements if connected with drain illustrated.

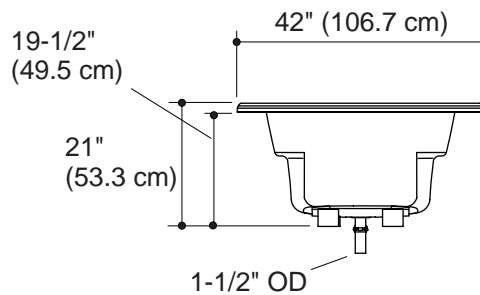


No change in measurements if connected with drain illustrated. (K-11677 or K-11677M)

Recommended faucet area



Drop-In Rim Detail



## Product Diagram