

BATH WITH INTEGRAL APRON

K-1108-LA/RA

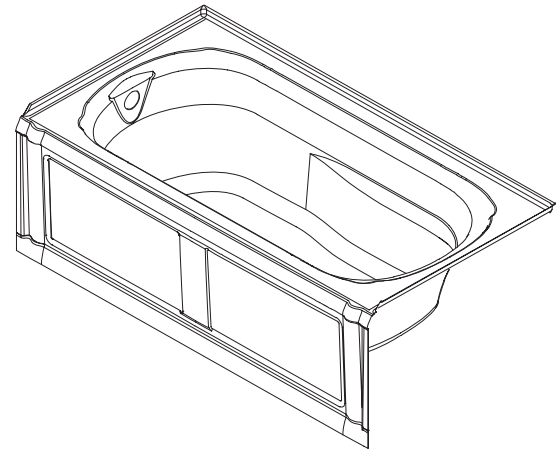
FEATURES

- 60" (152.4cm) x 32" (81.3cm) x 20" (50.8cm)
- Integral apron simplifies alcove installation
- 60 gallon (227.1L) capacity
- Integral tile-in flange
- Arm rests and lumbar support to cradle the body
- Acrylic
- UL Listed

CODES/STANDARDS APPLICABLE

Specified model meets or exceeds the following:

- ANSI Z124.1
- ASME/ANSI A112.19.7M
- IAPMO/UPC
- State of Massachusetts



COLORS/FINISHES

- 0 White
- Other Refer to Fixtures Price Book for additional colors

SPECIFIED MODEL:

Model	Description	Colors/Finishes		
		<input type="checkbox"/> 0 White	<input type="checkbox"/> Other _____	
K-1108-LA	Bath with left drain, integral apron (shown)	<input type="checkbox"/> 0 White	<input type="checkbox"/> Other _____	
K-1108-RA	Bath with right drain, integral apron	<input type="checkbox"/> 0 White	<input type="checkbox"/> Other _____	
Recommended Accessories				
K-7161-AF	Drain	<input type="checkbox"/> CP	<input type="checkbox"/> PB	<input type="checkbox"/> Other _____

PRODUCT SPECIFICATION:

The bath shall be 60" (152.4cm) in length, 32" (81.3cm) in width, and 20" (50.8cm) in height. Bath shall be made of acrylic. Bath shall be Kohler Model K-1108-_____.

PORTRAIT™ 5'

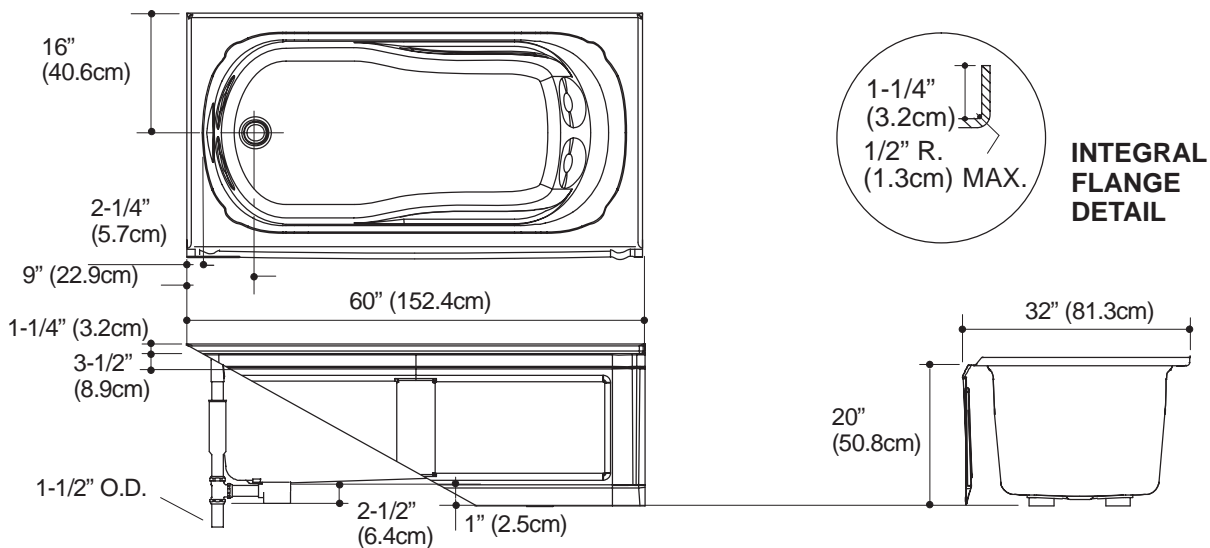
PRODUCT INFORMATION

K-1108-LA	Left drain, integral apron		shown
K-1108-RA	Right drain, integral apron		not shown
Fixture*:	basin area	top area	weight
Bathing well	42" (106.7cm) x 20" (50.8cm)	51" (129.5cm) x 24" (61cm)	
Bath with apron			80 lbs. (36.3kg)
	water depth	capacity	
To overflow	14" (35.6cm)	60 gal. (227.1L)	

INSTALLATION NOTES

Floor support under this product must provide for minimum loading of 80 lbs./square foot (390 Kg./square meter).

No change in measurements if connected with drain illustrated. (K-7161-AF or K-7161M-AF)



PRODUCT DIAGRAM

K-1108-LA/RA Portrait™ 5' Bath with Integral Apron

Page 2 of 2

1022148-4-A

THE BOLD LOOK
OF **KOHLER**®