

Features

- Acrylic
- Rectangular shape
- Molded lumbar supports and armrests
- Drop-in, 3-side integral flange

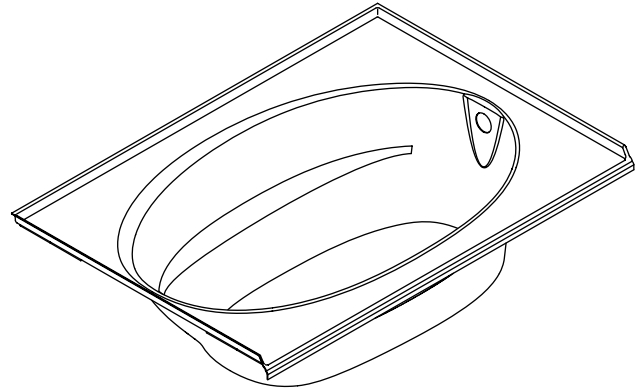
BATH WITH INTEGRAL FLANGE

K-1113-L
ALSO K-1113-R

Codes/Standards Applicable

Specified model meets or exceeds the following:

- ANSI Z124.1
- IAPMO/UPC



Colors/Finishes

- 0: White
- Other: Refer to Price Book for additional colors/finishes

Accessories:

- CP: Polished Chrome

Specified Model

Model	Description	Colors/Finishes	
K-1113-L	Drop-in, 3-side integral flange, left drain (not shown)	<input type="checkbox"/> 0	<input type="checkbox"/> Other _____
K-1113-R	Drop-in, 3-side integral flange, right drain (shown)	<input type="checkbox"/> 0	<input type="checkbox"/> Other _____
Recommended Accessory			
K-11677	Drain OR	<input type="checkbox"/> CP	<input type="checkbox"/> Other _____
K-7166	Drain	<input type="checkbox"/> CP	<input type="checkbox"/> Other _____

Product Specification:

The rectangular shaped bath shall be 60" (152.4 cm) in length, 42" (106.7 cm) in width, and 21" (53.3 cm) in height. Bath shall be made of acrylic. Drop-in bath shall have a 3-side integral flange. Bath shall have molded lumbar supports and armrests. Bath shall be Kohler Model K-1113-__-__.

WINDWARD™

Technical Information

Fixture*:	basin area	top area	weight
Bathing well	43" (109.2 cm) x 24-5/8" (62.5 cm)	53-1/2" (135.9 cm) x 32-1/8" (81.6 cm)	80 lbs (36 kg)
	water depth	capacity	
To overflow	15" (38.1 cm)	57 gal (215.9 L)	

* Approximate measurements for comparison only.

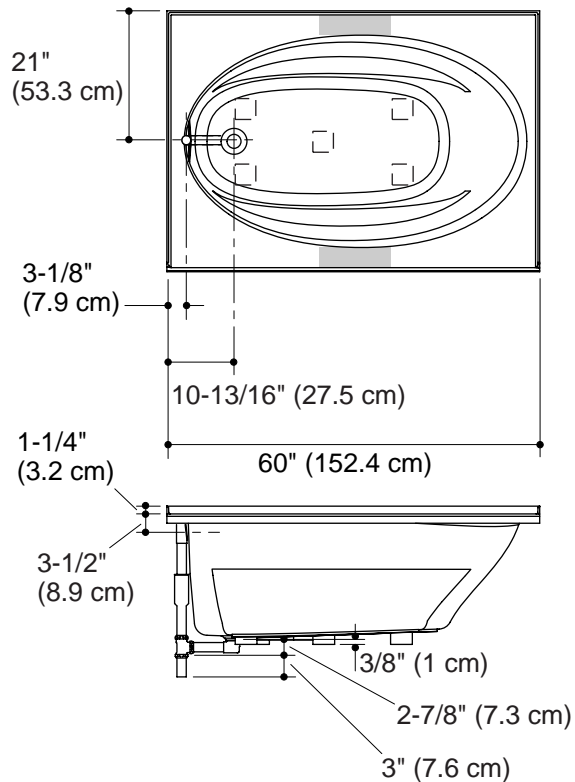
Drop-in cut-out dimensions: 58-1/2" (148.6 cm) x 40-1/2" (102.9 cm)
--

Installation Notes

Install this product according to the installation guide.

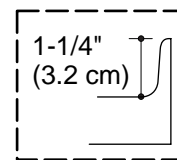
Floor support under the bath must provide for a minimum of 80 lbs/square foot (390 kg/square meter) loading.

If installing a rim-mount faucet, make sure there is no interference with the drain overflow before drilling any holes. Consult local and national codes for minimum air gap requirements if installing a spout on the faucet deck.

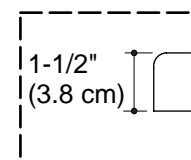


No change in measurements if connected with drain illustrated. (K-11677 or K-11677M)

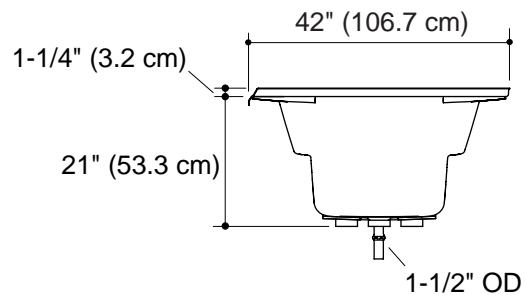
Recommended faucet area



Tile Flange Detail



Drop-In Rim Detail



Product Diagram