



Features

- Metal construction
- Complements Forte® faucet line
- Complements Leighton™ Ensemble
- Includes installation hardware
- Can be positioned facing up or down

Codes/Standards Applicable

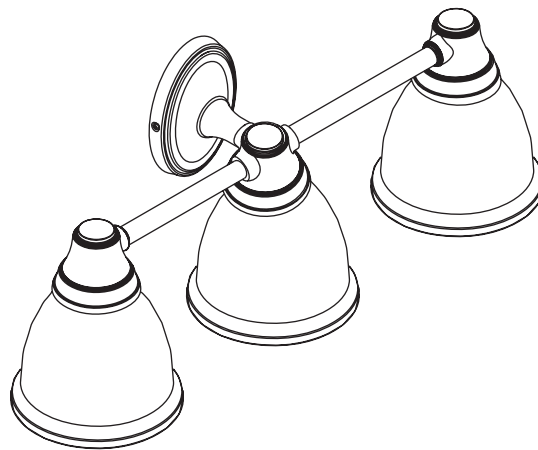
Specified model meets or exceeds the following:

- Underwriters Laboratories (UL)
- CSA International

LIGHTING FOR FORTE® FAUCET LINE

K-11365

ALSO K-11366, K-11367



Colors/Finishes

- CP: Polished Chrome
- BN: Brushed Nickel
- G: Brushed Chrome

Specified Model

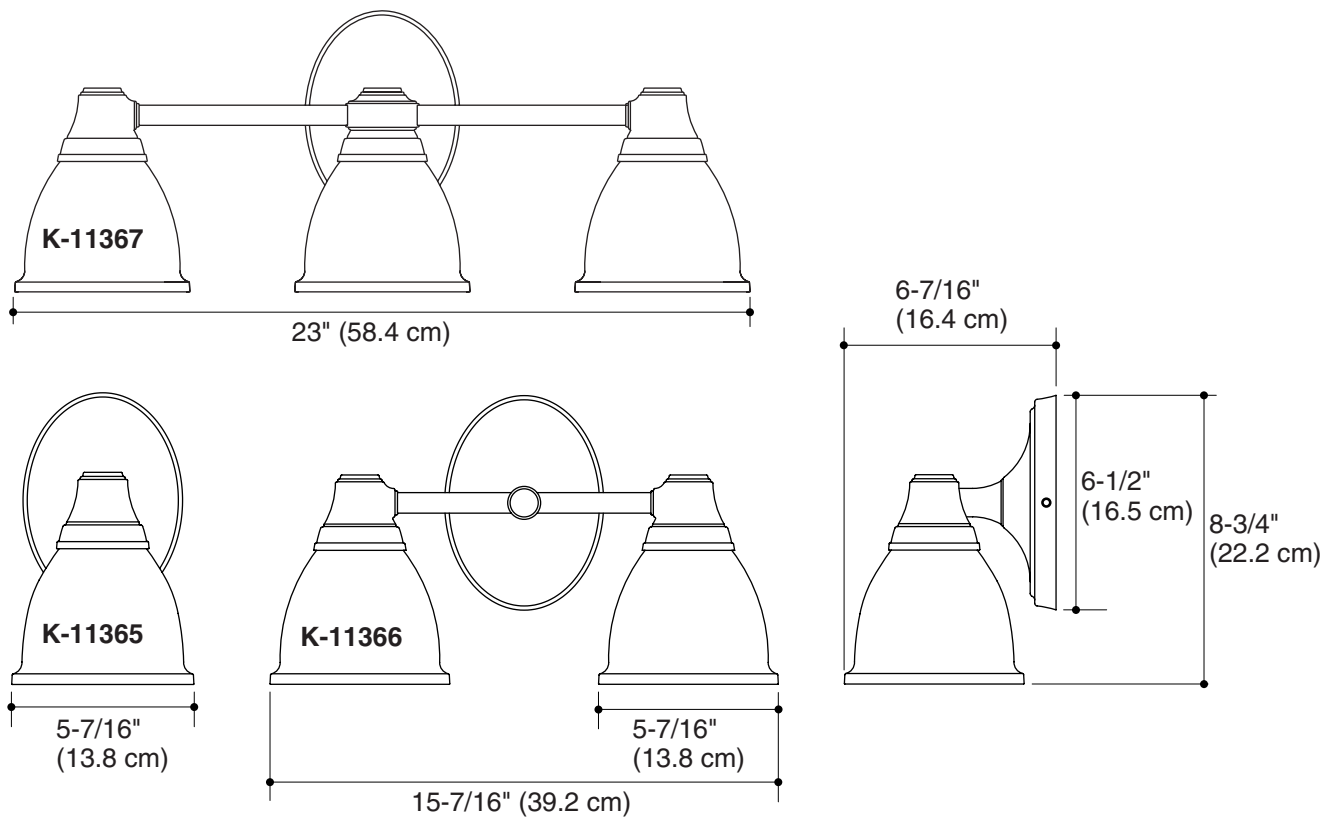
Model	Description	Colors/Finishes		
K-11365	One-light sconce (not shown)	<input type="checkbox"/> CP	<input type="checkbox"/> BN	<input type="checkbox"/> G
K-11366	Two-light sconce (not shown)	<input type="checkbox"/> CP	<input type="checkbox"/> BN	<input type="checkbox"/> G
K-11367	Triple-light sconce (shown)	<input type="checkbox"/> CP	<input type="checkbox"/> BN	<input type="checkbox"/> G

Product Specification:

The wall sconce shall be of metal construction. Wall sconce shall include installation hardware. Wall sconce shall complement the Leighton™ ensemble and Forte® faucet line. Wall sconce shall be Kohler Model K-____-____.

Installation Notes

Install this product according to the installation guide.



Product Diagram

LIGHTING FOR FORTE[®] FAUCET LINE

Page 2 of 2
1041770-4-C

THE BOLD LOOK
OF **KOHLER**[®]