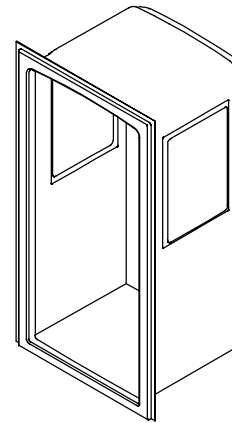


FEATURES

- 36" (91.4cm) x 36" (91.4cm) x 81-3/8" (206.7cm) inside finished dimensions
- 45" (114.3cm) x 37-3/4" (95.9cm) x 84" (213.4cm) rough-in dimensions
- Molded-in floor pattern
- Nylon grab bars (-N), grey bars supplied with White and Biscuit modules, white bars supplied with others
- Brushed stainless steel grab bars (-C)
- Polished stainless steel grab bars (-P)
- Acrylic
- Integral soap ledge at left or right
- "Pit" installation option detailed in instructions

BARRIER-FREE SHOWER STALL

K-12107, K-12108



CODES/STANDARDS APPLICABLE

Specified model meets or exceeds the following:

- ANSI Z124.2

COLORS/FINISHES

- 0 White
- Other Refer to Price Book for additional colors

Accessories:

- CP Polished Chrome
- PB Polished Brass
- Other Refer to Price Book for additional finishes

SPECIFIED MODEL:

Model	Description	Module Colors/Finishes	
K-12107-N	Stall with soap ledge on left (nylon grab bars)	<input type="checkbox"/> 0 White	<input type="checkbox"/> Other _____
K-12107-C	Stall with soap ledge on left (brushed stainless steel grab bars)	<input type="checkbox"/> 0 White	<input type="checkbox"/> Other _____
K-12107-P	Stall with soap ledge on left (polished stainless steel grab bars)	<input type="checkbox"/> 0 White	<input type="checkbox"/> Other _____
K-12108-N	Stall with soap ledge on right (nylon grab bars)	<input type="checkbox"/> 0 White	<input type="checkbox"/> Other _____
K-12108-C	Stall with soap ledge on right (brushed stainless steel grab bars)	<input type="checkbox"/> 0 White	<input type="checkbox"/> Other _____
K-12108-P	Stall with soap ledge on right (polished stainless steel grab bars)	<input type="checkbox"/> 0 White	<input type="checkbox"/> Other _____

Recommended Accessories			
K-9132	Drain	<input type="checkbox"/> CP	<input type="checkbox"/> PB <input type="checkbox"/> Other _____
Optional Accessories			
K-1570	Dome light		<input type="checkbox"/> NA
K-705016	Arica™ 72" (182.9cm) shower door OR	<input type="checkbox"/> SH <input type="checkbox"/> BH	<input type="checkbox"/> 0 White
K-705026	Arica™ 65-1/2" (166.4cm) shower door OR	<input type="checkbox"/> SH <input type="checkbox"/> BH	<input type="checkbox"/> 0 White
K-701217	Focal 70" (177.8cm) shower door OR	<input type="checkbox"/> SH <input type="checkbox"/> BH	<input type="checkbox"/> 0 White
K-701227	Focal 64" (162.6cm) shower door	<input type="checkbox"/> SH <input type="checkbox"/> BH	<input type="checkbox"/> 0 White

PRODUCT SPECIFICATION:

The shower stall inside finished dimensions shall be 36" (91.4cm) in length, 36" (91.4cm) in width, and 81-3/8" (206.7cm) in height. Shower stall rough-in dimensions shall be 45" (114.3cm) in length, 37-3/4" (95.9cm) in width, and 84" (213.4cm) in height. Shower stall shall have a molded-in floor pattern. Shower stall shall have nylon grab bars (-N), (grey bars supplied with White and Biscuit stalls, white bars supplied with others), brushed stainless steel grab bars (-C), or polished stainless steel grab bars (-P). Shower stall shall be made of acrylic. Shower stall shall have an integral soap ledge on left or right. "Pit" installation shall be detailed in instructions. Shower stall shall be Kohler Model K-_____-_____.

PRODUCT INFORMATION

Fixture:	150 lbs. (68kg)
Configuration	1-piece
Drain Outlet	3-3/8" D. (8.6cm)

INSTALLATION NOTES

For optimum accessibility, specify faucets and fittings to install and operate within the control area shown.

Fixture not drilled for supply fittings.



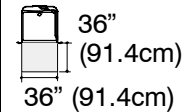
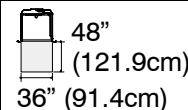
Shimming may be required to level fixture.

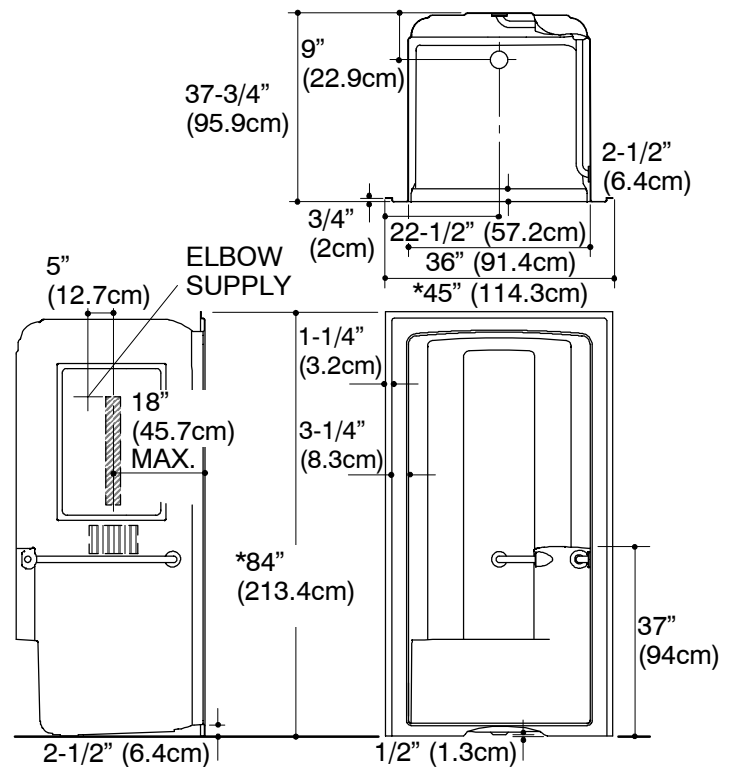
*Recess opening must be 45-1/4" (114.9cm) x 84-1/4" (214cm).

No change in measurements if connected with drain illustrated.

Stud opening tolerance (+ 1/4" (6mm) - 0"). When fire rated wall is specified, dimensions are to the inside of the wall board. Some shimming between stud frame and fixture may be required.

Provide clear floor space per ICC/ANSI A117.1, and as shown.

	Represents control area for faucets.
	Represents 24" (61cm) wall mount slide bar.
 36" (91.4cm) 36" (91.4cm)	Represents clear floor space for 36" (91.4cm) x 36" (91.4cm) side entrance.
 48" (121.9cm) 36" (91.4cm)	Represents clear floor space for 48" (121.9cm) x 36" (91.4cm) front entrance.



PRODUCT DIAGRAM