

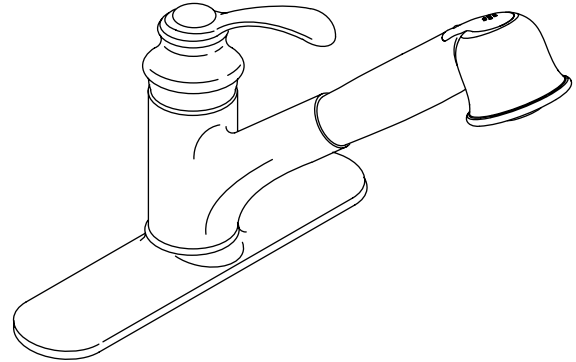
**Features**

- Metal construction
- One-piece, self-contained ceramic disc valve allows both volume and temperature control
- Temperature memory allows faucet to be turned on and off at any temperature setting
- High-temperature limit setting for added safety
- 9" (229 mm) swing spout reach
- Touch control for stream-to-spray water flow
- Integral vacuum breaker
- 10" (254 mm) escutcheon plate for three-hole installation
- Meets CALGreen requirements for kitchen faucets
- Matching color sprayhead
- 1.8 gpm (6.8 lpm) maximum flow rate at 60 psi (4.1 bar)

**PULL-OUT KITCHEN SINK FAUCET  
K-12177**

**ALSO K-R12177**

**ADA** **CSA B651** **OBC**



**Codes/Standards Applicable**

Specified model meets or exceeds the following at date of manufacture:

- ADA
- ICC/ANSI A117.1
- CSA B651
- OBC
- ASME A112.18.1/CSA B125.1
- NSF 61
- Energy Policy Act of 2005
- All applicable US Federal and State material regulations

**Colors/Finishes**

- CP: Polished Chrome
- Other: Refer to Price Book for additional colors/finishes

**Accessories**

- NA: None applicable

**Specified Model**

Model	Description	Colors/Finishes	
K-12177	Pull-out kitchen sink faucet	<input type="checkbox"/> CP	<input type="checkbox"/> Other ____
K-R12177	Pull-out kitchen sink faucet	<input type="checkbox"/> CP	<input type="checkbox"/> Other ____

**Product Specification**

The single-control pull-out spray kitchen sink faucet shall be of metal construction. Product shall have a maximum flow rate of 1.8 gpm (6.8 lpm) at 60 psi (4.1 bar). Product shall feature a one-piece, self-contained ceramic disc valve, which allows both volume and temperature control. Product shall feature temperature memory, allowing the faucet to be turned on and off at any temperature setting. Product shall include a high-temperature limit setting for added safety. Product shall feature a 9" (229 mm) swing spout reach, stream-to-spray touch control, integral vacuum breaker, and 10" (254 mm) escutcheon plate for three-hole installation. Faucet shall meet CalGreen requirements for kitchen faucets. Product shall feature a matching color sprayhead. Faucet shall be Kohler Model K-12177-\_\_\_\_ or K-R12177-\_\_\_\_\_.

# FAIRFAX<sup>®</sup>

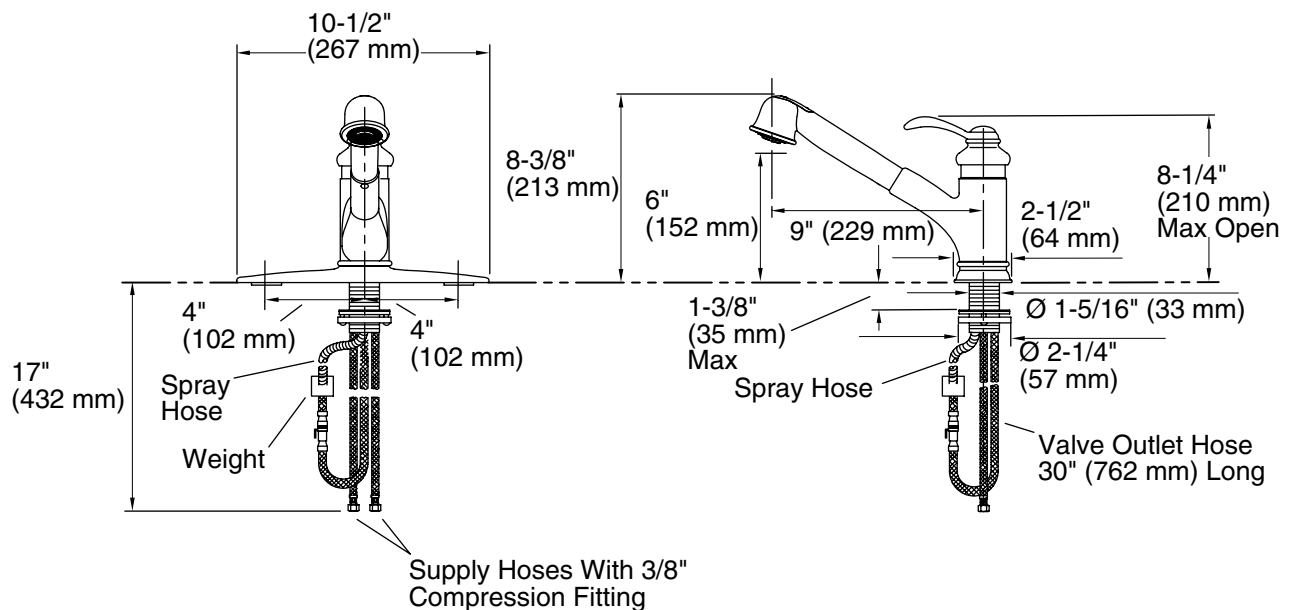
Optional Accessories		
1012715	Deep roughing-in kit – requires 1-7/16" (37 mm) to 1-1/2" (38 mm) diameter hole to accommodate 1-1/2" (38 mm) to 3-3/8" (86 mm) thick installations	<input type="checkbox"/> NA
1055715	Low flow kit – reduces maximum flow to 1.5 gpm (5.7 lpm) at 60 psi (4.1 bar)	<input type="checkbox"/> NA

## Installation Notes

Install this product according to the installation guide.

This product meets all plumbing codes for vacuum breaker requirements.

ADA, ICC/ANSI A117.1, CSA B651, OBC compliant when installed to the specific requirements of these regulations.



## Product Diagram