

Features

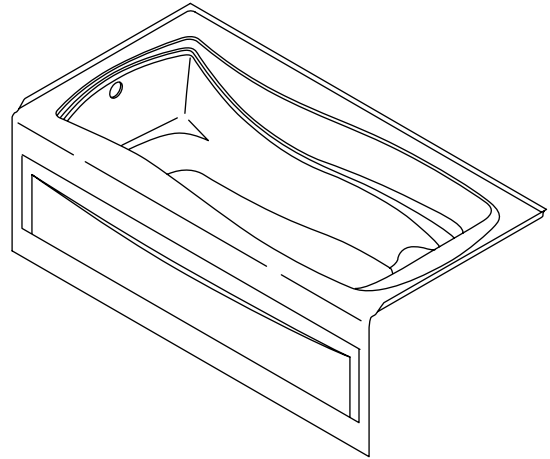
- Acrylic
- Left or right outlet
- Integral apron
- Integral tile flange
- 72" (182.9 cm) x 36" (91.4 cm) x 20" (50.8 cm)

Codes/Standards Applicable

Specified model meets or exceeds the following:

- ANSI Z124.1.2
- IAPMO/UPC

6' BATH WITH INTEGRAL APRON K-1259



Colors/Finishes

- 0: White
- Other: Refer to Price Book for additional colors/finishes

Accessories:

- CP: Polished Chrome
- PB: Polished Brass
- Other: Refer to Price Book for additional colors/finishes

Specified Model

Model	Description	Colors/Finishes	
K-1259-LA	Bath with left outlet, integral apron	<input type="checkbox"/> 0	<input type="checkbox"/> Other_____
K-1259-RA	Bath with right outlet, integral apron	<input type="checkbox"/> 0	<input type="checkbox"/> Other_____

Recommended Accessories

K-7166-AF	Drain	<input type="checkbox"/> CP	<input type="checkbox"/> PB	<input type="checkbox"/> Other_____
-----------	-------	-----------------------------	-----------------------------	-------------------------------------

Product Specification

The acrylic bath shall be 72" (182.9 cm) in length, 36" (91.4 cm) in width, and 20" (50.8 cm) in height. The bath shall have a left or right outlet. The bath shall have an integral apron and tile flange. The bath shall be Kohler Model K-1259-_____-_____.

MARIPOSA®

Technical Information

Fixture*:	
Basin area:	
Bathing well	50" (127 cm) x 24" (61 cm)
Top area	65" (165.1 cm) x 27" (68.6 cm)
To overflow:	
Water depth	14" (35.6 cm)
Capacity	72 gal (272.5 L)
Weight	77 lbs (34.9 kg)
* Approximate measurements for comparison only.	

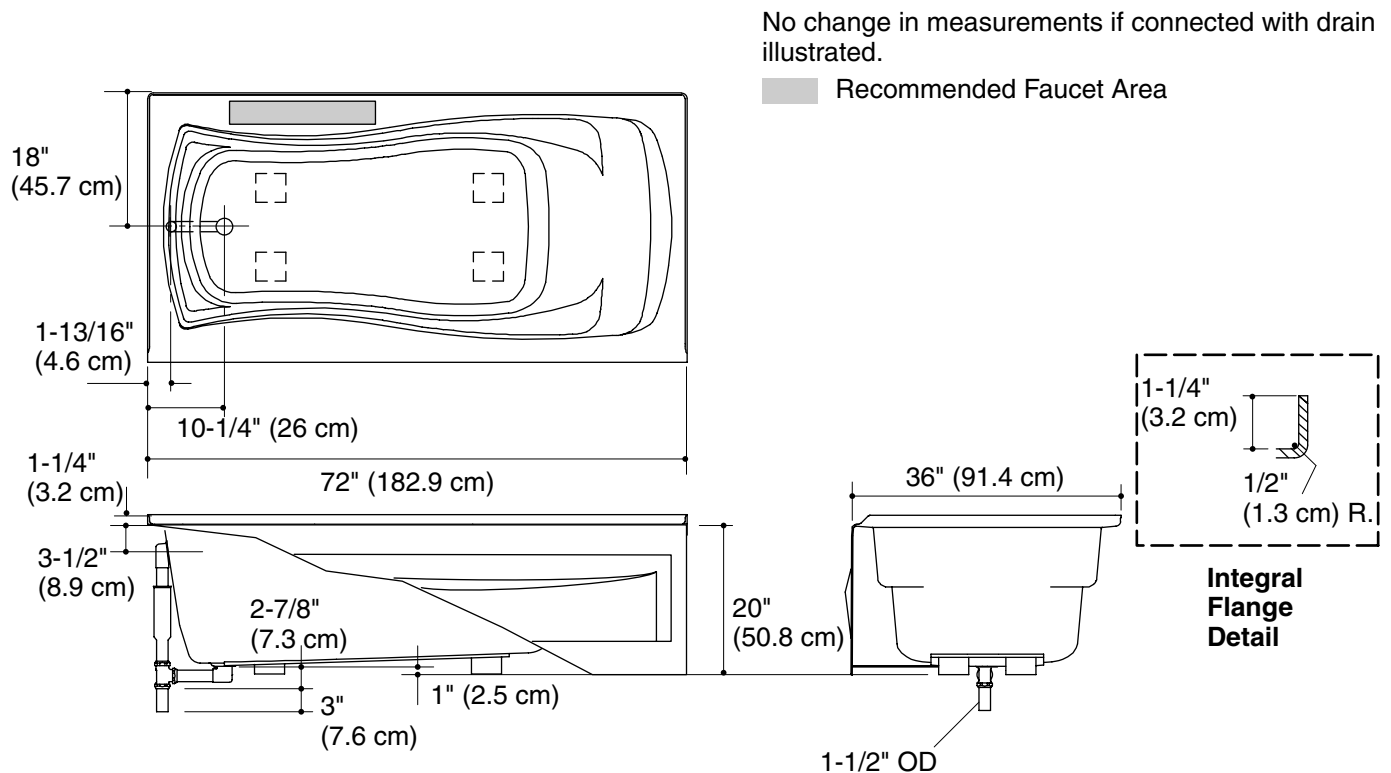
Installation Notes

Install this product according to the installation guide.

Refer to installation instructions included with fixture before beginning installation.

NOTICE: Unless otherwise specified, floor support under bath must provide for a minimum of 39 lbs/square foot (191 kg/square meter) loading.

If installing a rim-mount faucet, make sure there is no interference with drain overflow and circulating system before drilling any holes. Consult local and national codes for minimum air gap requirements if installing a spout on the faucet deck.



Product Diagram