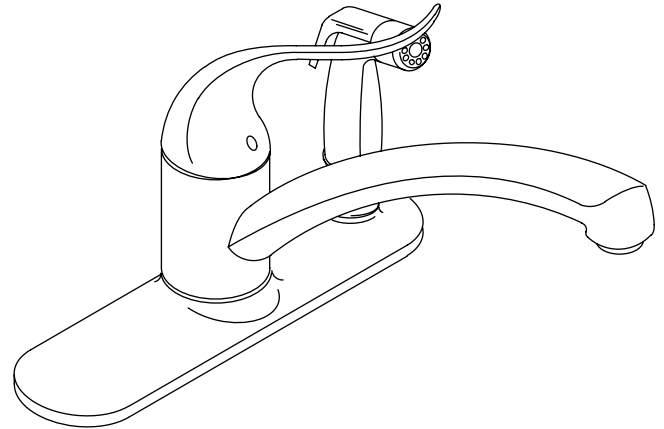


**KITCHEN SINK FAUCET  
K-15073-P**

ADA

**Features**

- Metal construction
- One-piece, self-contained ceramic disc valve allows both volume and temperature control
- Temperature memory allows faucet to be turned on and off at any temperature setting
- High-temperature limit stop for added safety
- 2.2 gpm (8.3 lpm) flow rate
- Lower flow aerator options are available (refer to the Kohler Price Book)
- Lever handle
- Ground joint connections
- Handspray through escutcheon
- For 8" (20.3 cm) centers
- 9-1/4" (23.5 cm) swing spout



**Codes/Standards Applicable**

Specified model meets or exceeds the following:

- ASME A112.18.1/CSA B125.1
- IAPMO/UPC
- NSF 61
- ADA

**Colors/Finishes**

- CP: Polished Chrome
- PB: Polished Brass
- Other: Refer to Price Book for additional colors/finishes

**Specified Model:**

Model	Description	Colors/Finishes		
K-15073-P	Kitchen sink faucet	<input type="checkbox"/> CP	<input type="checkbox"/> PB	<input type="checkbox"/> Other _____
Note: All faucets, except white and polished brass, come with a black handspray and matching finish trim ring. White and polished brass faucets come with a white handspray.				

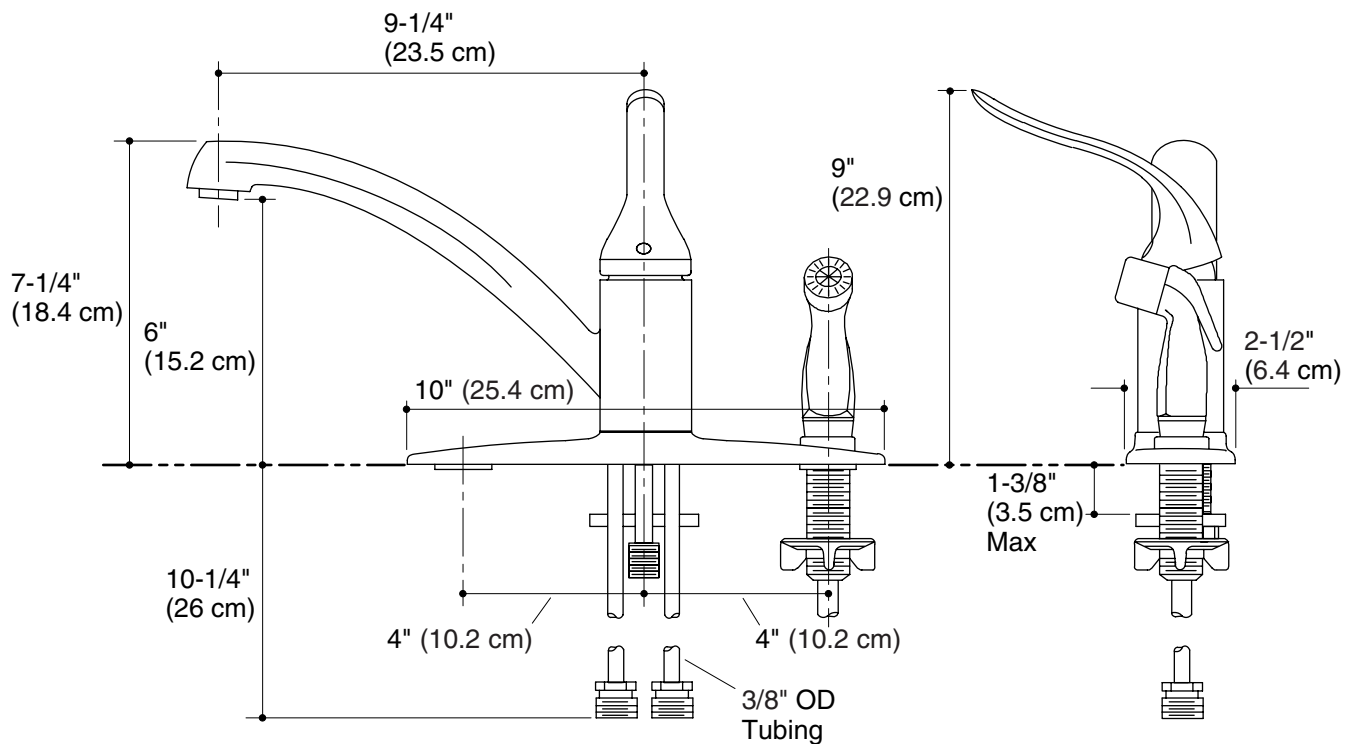
**Product Specification**

Single-control kitchen sink faucet shall be of metal construction. Valve shall be a one-piece, self-contained ceramic disc valve, and allows both volume and temperature control. Valve shall feature temperature memory, allowing the faucet to be turned on and off at any temperature setting. Valve shall include a high-temperature limit stop. Faucet shall be for 8" (20.3 cm) centers. Faucet shall include 9-1/4" (23.5 cm) swing spout, lever handle, ground joint connections, and handspray through escutcheon plate. Faucet shall be rated at 2.2 gallons (8.3 L) per minute. Faucet shall have lower flow aerator options. Faucet shall be Kohler Model K-15073-P-\_\_\_\_\_.

# CORALAIS®

## Installation Notes

Install this product according to the installation guide.



### Product Diagram