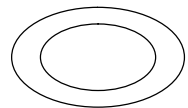
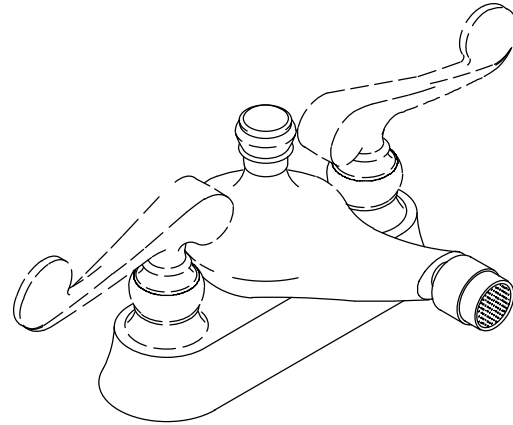


**BIDET FAUCET
K-16131**

FEATURES

- Brass construction
- For 4" centers
- Brass valve bodies
- Quarter-turn washerless ceramic disc valves
- 4-7/8" swivel spray spout
- Pop-up drain with lift rod and tailpiece
- Available with scroll or traditional handles



CODES/STANDARDS APPLICABLE



Specified model meets or exceeds the following:

- ASME/ANSI A112.18.1M
- IAPMO/UPC

COLORS/FINISHES

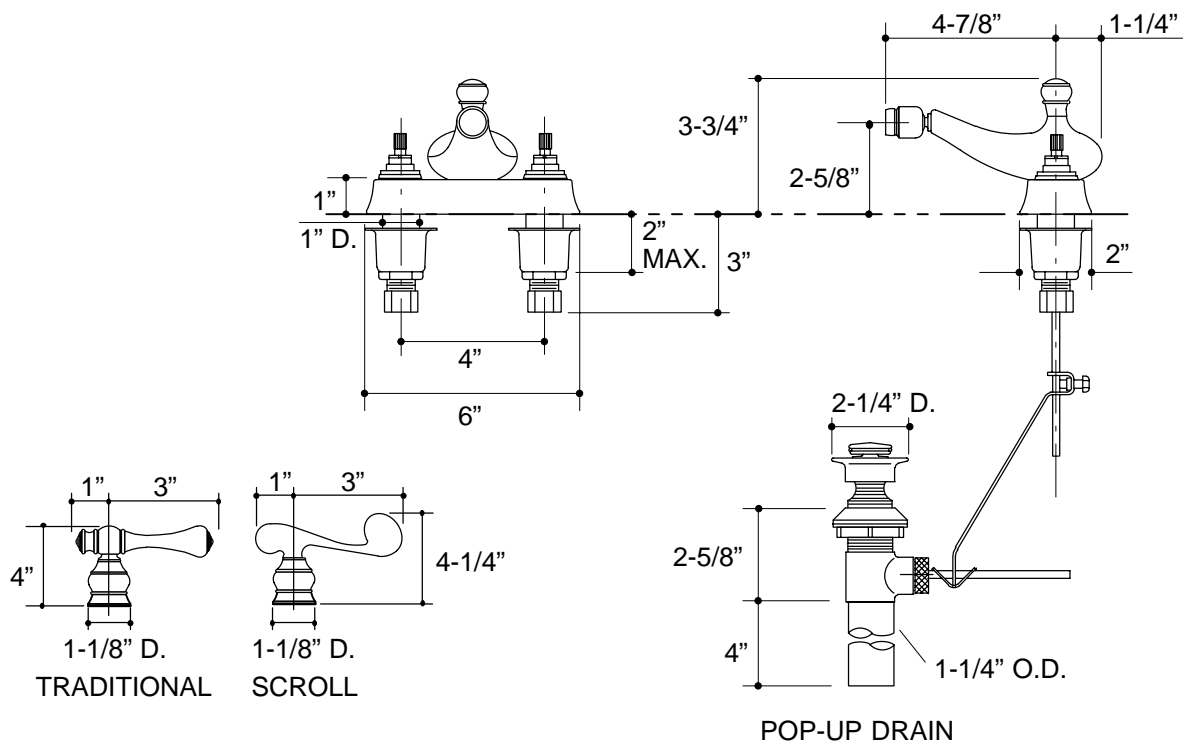
- CP Polished Chrome
- PB Polished Brass
- Other Refer to Faucets Price Book for additional finishes

SPECIFIED MODEL:

Model	Description	 <input type="checkbox"/> ADA			 <input type="checkbox"/> ADA		
K-16131-4	With Scroll Handles	<input type="checkbox"/> CP	<input type="checkbox"/> P B	<input type="checkbox"/> Other_____			
K-16131-4A	With Traditional Handles				<input type="checkbox"/> CP	<input type="checkbox"/> P B	<input type="checkbox"/> Other_____

PRODUCT SPECIFICATION:

Two-handle centerset bidet faucet shall be of brass construction. Faucet shall feature brass valve bodies. Faucet shall feature quarter-turn washerless ceramic disc valves, assuring positive handle stop positioning. Product shall include 4" centers, 4-7/8" swivel spray spout, pop-up drain with lift rod and tailpiece, and scroll or traditional handles. Faucet shall be Kohler Model K-16131-_____-_____.



316

PRODUCT DIAGRAM