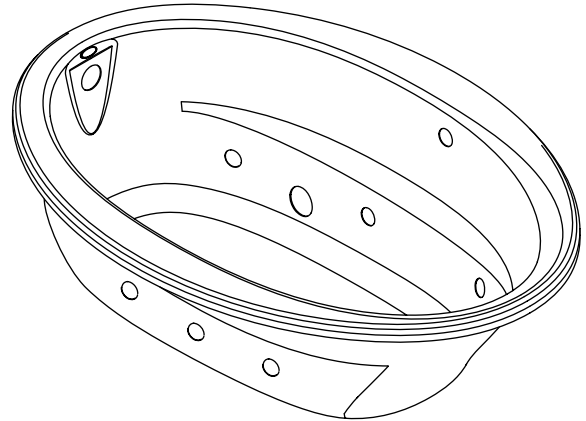


Features

- Acrylic
- Oval shape
- Drop-in
- 6 individually adjustable ProFlex™ hydro-massage jets
- 1-1/4 hp pump with air switch and grounding-type plug-in cord
- Molded lumbar supports and armrests
- T-style heater
- 60" (152.4 cm) x 42" (106.7 cm) x 21" (53.3 cm)

5' BATH WHIRLPOOL WITH CUSTOM PUMP AND HEATER K-1162-HB



Codes/Standards Applicable

Specified model meets or exceeds the following:

- ANSI Z124.1
- IAPMO/UPC
- Underwriter's Laboratories (UL)
- ASME A112.19.7M

Colors/Finishes

- 0: White
- Other: Refer to Price Book for additional colors/finishes

Accessories:

- CP: Polished Chrome
- Other: Refer to Price Book for additional colors/finishes
- NA: None applicable

Specified Model

Model	Description	Colors/Finishes	
K-1162-HB	Whirlpool, custom pump and heater (top view shown)	<input type="checkbox"/> 0 White	<input type="checkbox"/> Other_____
Recommended Accessories			
K-11677	Drain	<input type="checkbox"/> CP	
Optional Accessories			
K-9696	Jet trim kit (metal finishes)	<input type="checkbox"/> CP	<input type="checkbox"/> Other_____

Product Specification:

The oval shaped bath whirlpool shall be 60" (152.4 cm) in length, 42" (106.7 cm) in width, and 21" (53.3 cm) in height. Drop-in bath whirlpool shall be made of acrylic. Bath whirlpool shall have 6 individually adjustable ProFlex™ hydro-massage jets, 1-1/4 hp pump with air switch and ground-type plug-in cord and T-style heater. Bath whirlpool shall have molded lumbar supports and armrests. Bath whirlpool shall be Kohler Model K-1161-HB-_____.

SUNWARD™

Technical Information

Fixture:*	basin area	top area	weight
Bathing well	43" (109.2 cm) x 24-5/8" (62.5 cm)	53-1/2" (135.9 cm) x 32-1/8" (81.6 cm)	110 lbs. (50 kg)
	water depth	capacity	
To overflow	15" (38.1 cm)	57 gal. (215.9 L)	

* Approximate measurements for comparison only.

Pump:	HP	V	Hz	A
1-Speed	1-1/4	120	60	7.5
Heater:	kW	V	Hz	A
	1.5	120	60	12.5

Minimum access panel pump/control:	
20" (50.8 cm) W x 15" (38.1 cm) H	required

Included Components:	
Cut-out template	1042556-7

Required Electrical Service

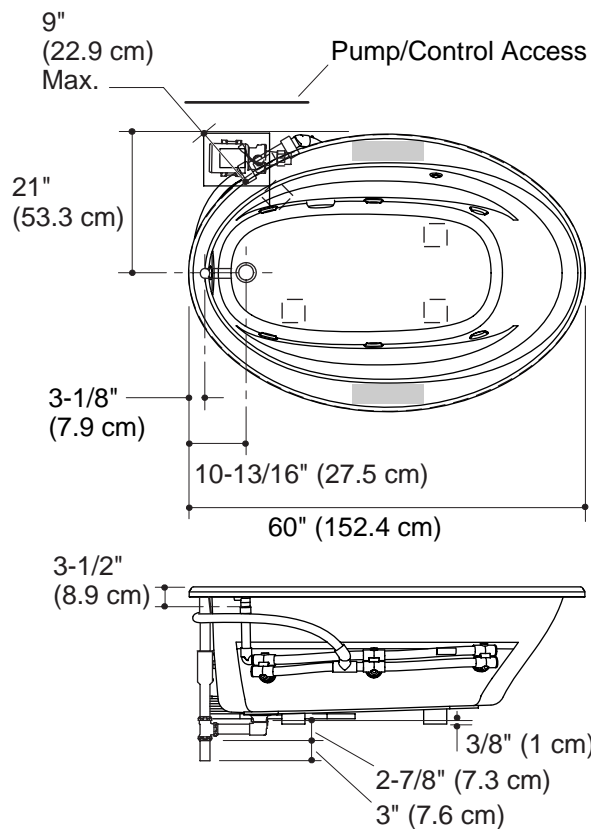
Dedicated circuit required, protected with Class A Ground-Fault Circuit-Interrupter (GFCI):	
Pump/control	120 V, 15 A, 60 Hz
Heater	120 V, 15 A, 60 Hz
Locate the outlet behind the whirlpool and within 24" (61 cm) of the pump.	

Installation Notes

Install this product according to the installation guide.

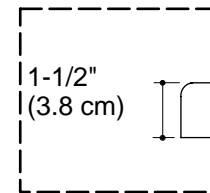
Floor support under whirlpool must provide for a minimum of 80 lbs./square foot (390 kg/square meter) loading.

The pump extends 9" (22.9 cm) beyond the edge of the rim. Modify the framing as needed.

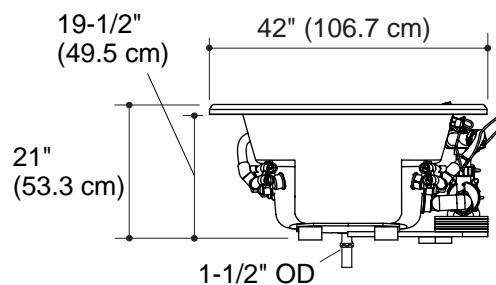


No change in measurements if connected with drain illustrated. (K-11677 or K-11677M)

Recommended faucet area



Drop-In Rim Detail



Product Diagram

SUNWARD™ 5' BATH WHIRLPOOL WITH CUSTOM PUMP AND HEATER