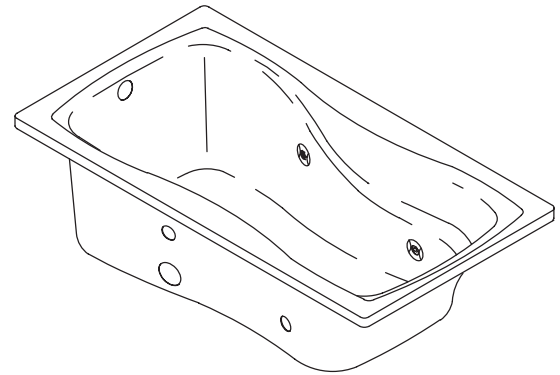


ACRYLIC CUSTOM BATH WHIRLPOOL

K-1209-CB

FEATURES

- 60" (152.4cm) x 32" (81.3cm) x 20" (50.8cm)
- Acrylic
- Drop-in
- 4 individually adjustable ProFlex hydro-massage jets
- 1-1/4 HP pump with air switch and cord with plug
- UL listed
- Optional K-1278 separate apron
- Optional K-9694 whirlpool trim kit in various finishes
- Optional K-1639 timer kit



CODES/STANDARDS APPLICABLE

Specified model meets or exceeds the following:

- ASME/ANSI A112.19.7M
- ANSI Z124.1
- IAPMO/UPC
- Underwriters Laboratories (UL)

COLORS/FINISHES

- 0 White
- Other Refer to Fixtures Price Book for additional colors

Accessories:

- CP Polished Chrome
- PB Polished Brass
- Other Refer to Price Book for additional finishes
- NA None Applicable

SPECIFIED MODEL:

Model	Description	Colors/Finishes	
K-1209-CB	Whirlpool, drop-in, custom pump (shown)	<input type="checkbox"/> 0 White	<input type="checkbox"/> Other_____

Recommended Accessories			
K-7161-AF	Drain	<input type="checkbox"/> CP	<input type="checkbox"/> PB <input type="checkbox"/> Other_____

Optional Accessories			
K-1278	Separate apron with removable panel for front access	<input type="checkbox"/> 0 White	<input type="checkbox"/> Other_____
K-9694	Jet trim kit (metal finishes)	<input type="checkbox"/> CP <input type="checkbox"/> PB	<input type="checkbox"/> Other_____
K-1639	Timer Kit		<input type="checkbox"/> NA

PRODUCT SPECIFICATION:

The bath whirlpool shall be 60" (152.4cm) in length, 32" (81.3cm) in width, and 20" (50.8cm) in height. Drop-in bath whirlpool shall be made of acrylic. Bath whirlpool shall have 4 individually adjustable ProFlex hydro-massage jets, 1-1/4 HP pump with air switch and cord with plug. Bath whirlpool shall be UL listed. Bath whirlpool shall have optional K-1278 separate apron. Bath whirlpool shall have optional K-9694 trim kit. Bath whirlpool shall have optional K-1639 timer kit. Bath whirlpool shall be Kohler Model K-1209-CB-_____.

HOURGLASS™ 32

PRODUCT INFORMATION

Fixture*:	basin area	top area	weight		
Bathing well	47" (119.4cm) x 20" (50.8cm)	53" (134.6cm) x 23" (58.4cm)	100 lbs. (45.4kg)		
	water depth	capacity			
To overflow	14-1/2" (36.8cm)	64 gal. (242.3L)			
* Approximate measurements for comparison only.					
Pump:	HP	V	Hz	A	
1-speed	1-1/4	120	60	7.5	

REQUIRED ELECTRICAL SERVICE

Dedicated circuit required, protected with Class A Ground-Fault Circuit-Interrupter (GFCI):	
Pump/control	120 V, 15 A, 60 Hz
Locate the outlet behind the whirlpool and within 24" (61cm) of the pump.	

INSTALLATION NOTES

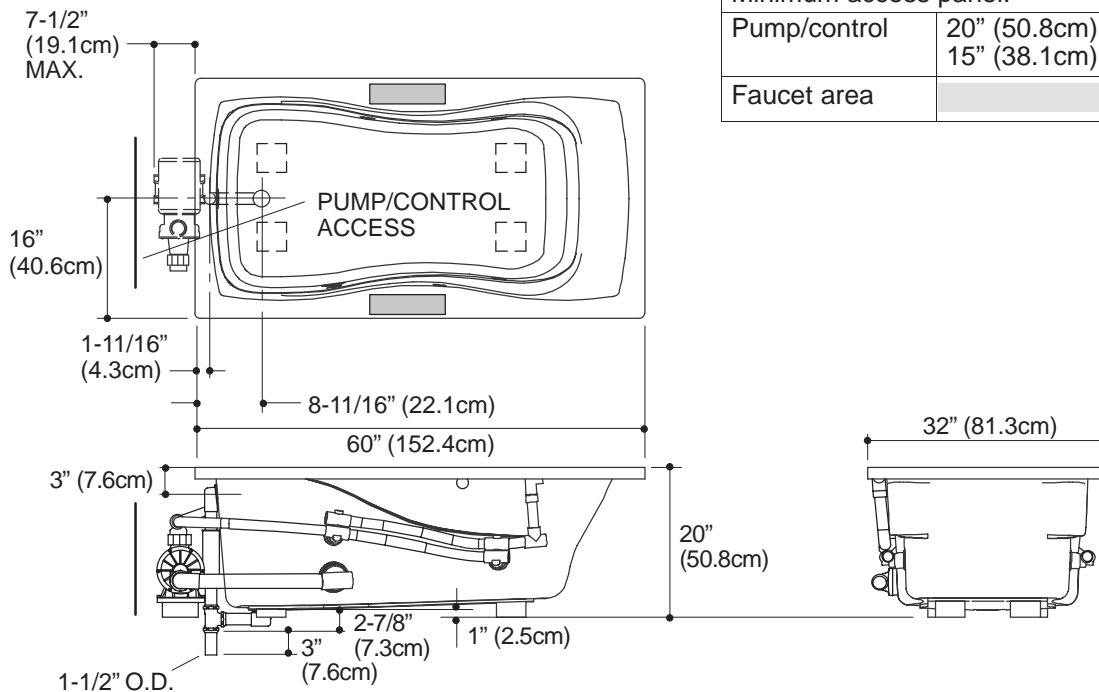
Install this product according to the installation guide.

Floor support under whirlpool must provide for a minimum of 80 lbs./square foot (390 Kg./square meter) loading.

If installing a rim-mount faucet, make sure there is no interference with drain overflow and circulating system before drilling any holes. Consult local and national codes for minimum air gap requirements if installing a spout on the faucet deck.

The apron must be installed before the finish floor and wall materials are installed.

Pump must be relocated to custom position at the time of installation. Provide adequate clearance.



No change in measurements if connected with drain illustrated. (K-7161-AF or K-7161M-AF)		
Drop-in cut-out	58-1/2" (148.6cm) x 30-1/2" (77.5cm)	
Minimum access panel:		
Pump/control	20" (50.8cm) W x 15" (38.1cm) H	required
Faucet area		recommended

PRODUCT DIAGRAM