

**SHOWERHEAD  
K-14786**

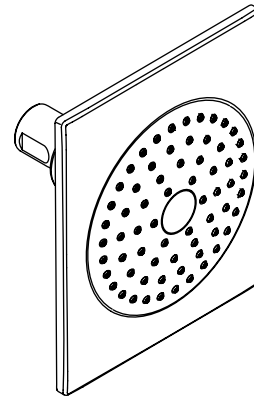
**Features**

- MasterClean™ spray nozzles prohibit mineral build-up
- 1/2" - 14 NPT connection
- 2.5 gallons (9.5 L) per minute flow rate
- Single-function spray with 66 individual MasterClean spray nozzles

**Codes/Standards Applicable**

Specified model meets or exceeds the following:

- ASME A112.18.1/CSA B125.1
- Energy Policy Act of 1992



**Colors/Finishes**

- CP: Polished Chrome
- Other: Refer to Price Book for additional colors/finishes

**Accessories**

- CP: Polished Chrome
- Other: Refer to Price Book for additional colors/finishes

**Specified Model**

Model	Description	Colors/Finishes	
K-14786	Showerhead	<input type="checkbox"/> CP	<input type="checkbox"/> Other ____
<b>Recommended Accessories</b>			
K-14679	Contemporary shower arm and square flange – 7-1/2" (19.1 cm) length, 1/2" NPT	<input type="checkbox"/> CP	<input type="checkbox"/> Other ____

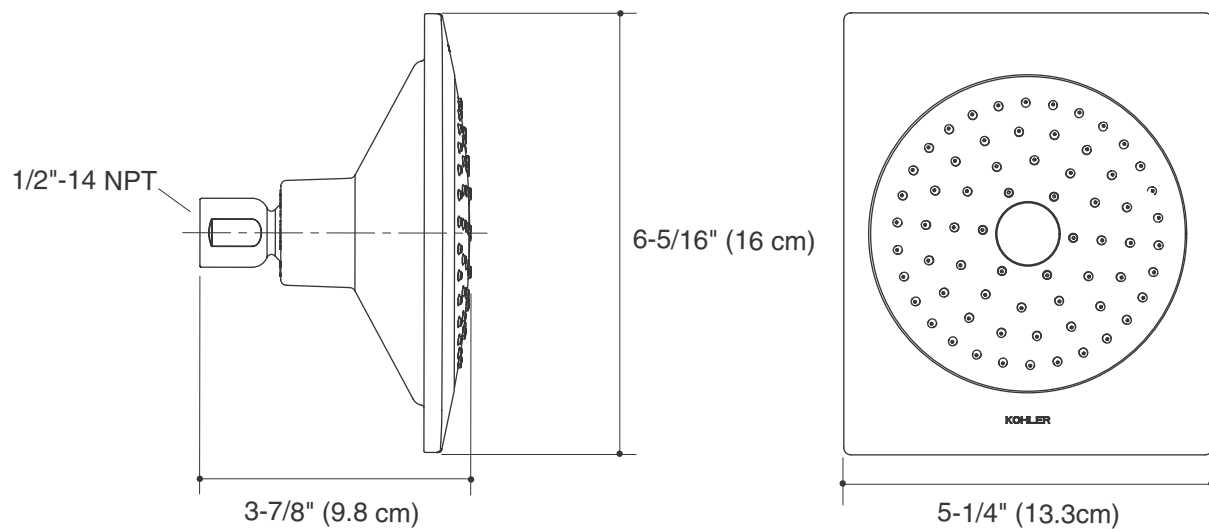
**Product Specification**

Showerhead shall feature a 1/2" - 14 NPT connection. Showerhead shall feature MasterClean spray nozzles to prohibit mineral build-up. Showerhead shall have a 2.5 gallon (9.5 L) per minute flow rate. Showerhead shall be available as a single-function spray with 66 individual MasterClean spray nozzles. Showerhead shall be Kohler Model K-14786-\_\_\_\_.

# LOURE™

## Installation Notes

Install this product according to the installation guide.



## Product Diagram