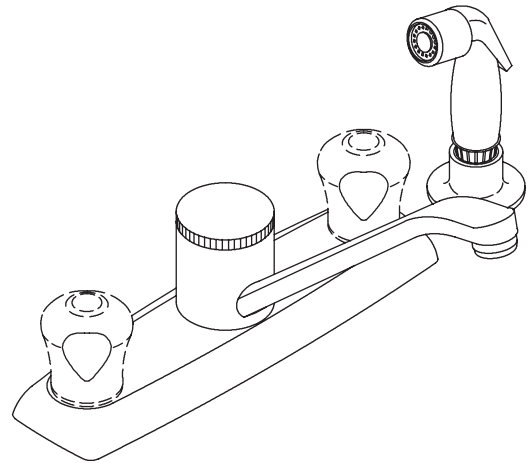


**KITCHEN SINK FAUCET  
K-15253**

**Features**

- Metal construction
- Reversible quarter-turn washerless ceramic disc valves
- 2.2 gpm (8.3 lpm) flow rate
- Lower flow aerator options are available (refer to the Kohler Price Book)
- For 8" (20.3 cm) centers
- Available with sculptured acrylic, blade, or lever handles
- White handspray
- 7-5/8" (19.4 cm) swing spout



**Codes/Standards Applicable**





Specified model meets or exceeds the following:

- ASME A112.18.1/CSA B125.1
- IAPMO/UPC
- Energy Policy Act of 1992 (EPACT)
- NSF 61

**Colors/Finishes**

- CP: Polished Chrome

**Specified Model**

Model	Description		 ADA	 ADA
K-15253	Kitchen sink faucet with sculptured acrylic handles	<input type="checkbox"/> CP		
K-15253-B	Kitchen sink faucet with blade handles		<input type="checkbox"/> CP	
K-15253-4	Kitchen sink faucet with lever handles			<input type="checkbox"/> CP
<b>Optional Accessories</b>				
K-15280	12" (30.5 cm) swing spout with aerator	<input type="checkbox"/> CP		

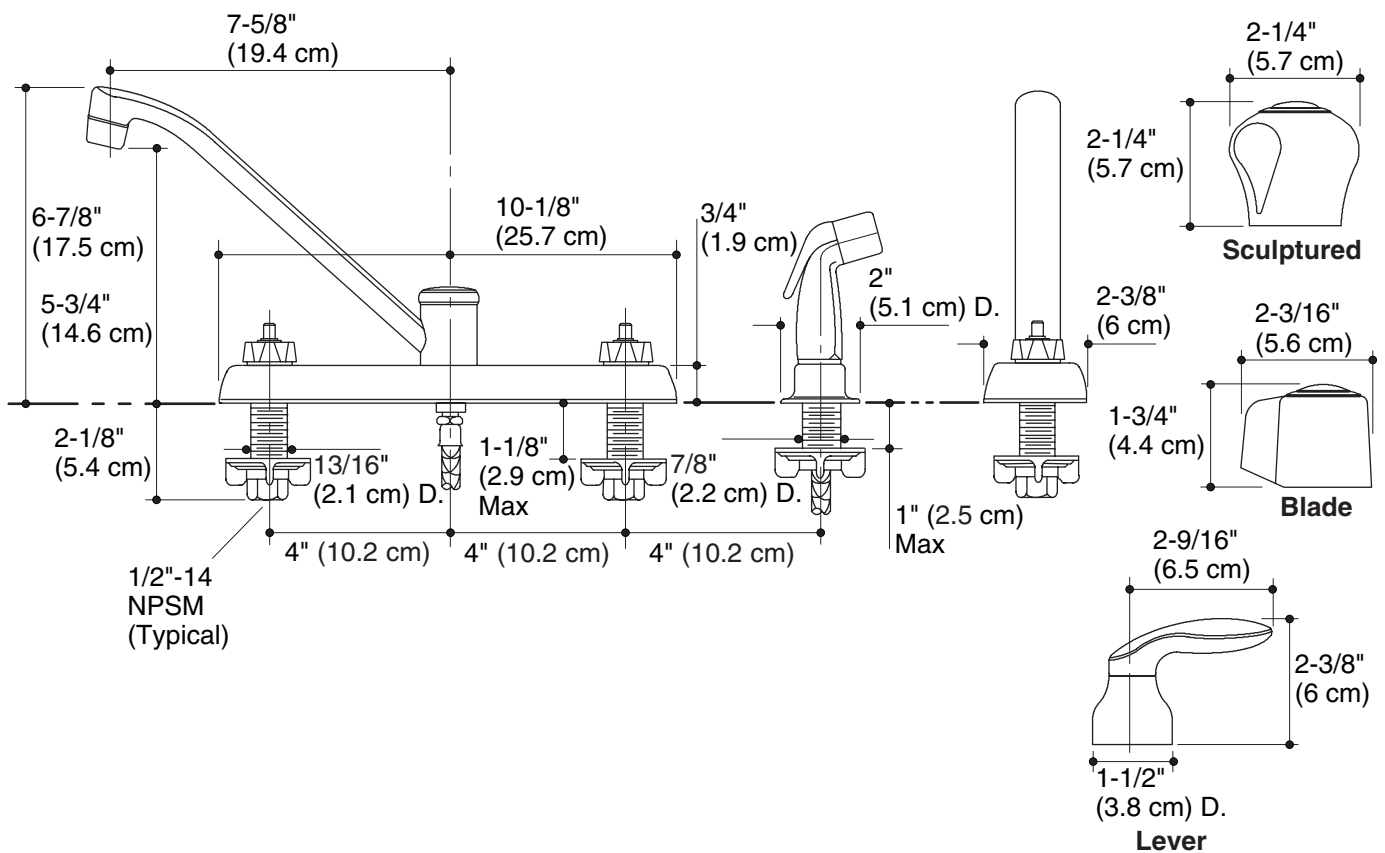
**Product Specification**

Two-handle kitchen sink faucet shall be of metal construction. Faucet shall feature reversible quarter-turn washerless ceramic disc valves, assuring positive handle stop positioning. Faucet shall include 8" (20.3 cm) centers, 7-5/8" (19.4 cm) swing spout, sculptured acrylic, blade, or lever handles, and white handspray. Faucet shall be rated at 2.2 gallons (8.3 L) per minute. Faucet shall have lower flow aerator options. Faucet shall be Kohler Model K-15253-\_\_\_\_-CP.

# CORALAIS®

## Installation Notes

Install this product according to the installation guide.



## Product Diagram