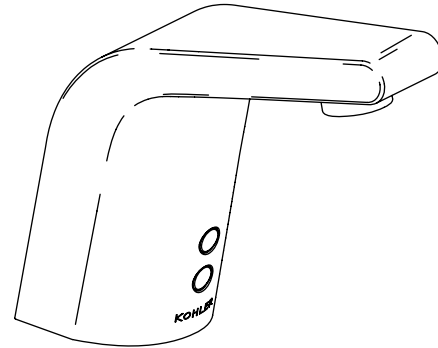


**ELECTRONIC FAUCET
K-13462
ALSO K-13463**

ADA

Features

- Brass construction
- Requires an AC power supply
- Single-hole mounting
- Above-counter valve for easy installation and maintenance
- Vandal-resistant aerator
- 24" (61 cm) flexible supply hoses for easy installation
- 5-3/4" (14.6 cm) spout reach
- Stationary spout
- Available with or without mixer
- Less drain
- .5 gallons (1.9 L) per minute flow rate



Codes/Standards Applicable

Specified model meets or exceeds the following at date of manufacture:

- ADA
- ICC/ANSI A117.1
- ASME A112.18.1/CSA B125.1
- Energy Policy Act of 1992

Colors/Finishes

- CP: Polished Chrome
- VS: Stainless Steel

Accessories

- CP: Polished Chrome
- VS: Stainless Steel
- NA: None applicable
- Other: Refer to Price Book for additional colors/finishes

Specified Model

Model	Description	Colors/Finishes	
K-13462	Electronic faucet – with mixer	<input type="checkbox"/> CP	<input type="checkbox"/> VS
K-13463	Electronic faucet – without mixer	<input type="checkbox"/> CP	<input type="checkbox"/> VS
Required Accessories			
K-13480	AC single supply transformer	<input type="checkbox"/> NA	
K-13481	AC multi-outlet power supply (up to 8 faucets)	<input type="checkbox"/> NA	

Product Specification

The electronic faucet shall be made of brass construction. Product shall require an AC power supply. Product shall have 0.5 gallons (1.9 L) per minute flow rate. Product shall feature a 5-3/4" (14.6 cm) spout reach, stationary spout, and 24" (61 cm) flexible supply hoses for easy installation. Product shall feature an above-counter valve for easy installation and maintenance. Product shall be for single-hole mounting. Product shall be available with or without mixer. Product shall be less drain. Faucet shall be Kohler Model K-____-____.

Optional Accessories					
K-7129-A	Grid drain with overflow	<input type="checkbox"/> CP			<input type="checkbox"/> Other _____
K-7129	Grid drain without overflow	<input type="checkbox"/> CP			<input type="checkbox"/> Other _____
K-13478-A	4" (10.2 cm) escutcheon plate – round	<input type="checkbox"/> CP	<input type="checkbox"/> VS		
K-13479-A	8" (20.3 cm) escutcheon plate – round	<input type="checkbox"/> CP	<input type="checkbox"/> VS		
K-13601	Thermostatic mixing valve			<input type="checkbox"/> NA	

Installation Notes

Install this product according to the installation guide.

A 1-1/4" (3.2 cm) minimum to 1-1/2" (3.8 cm) maximum diameter mounting hole is required.

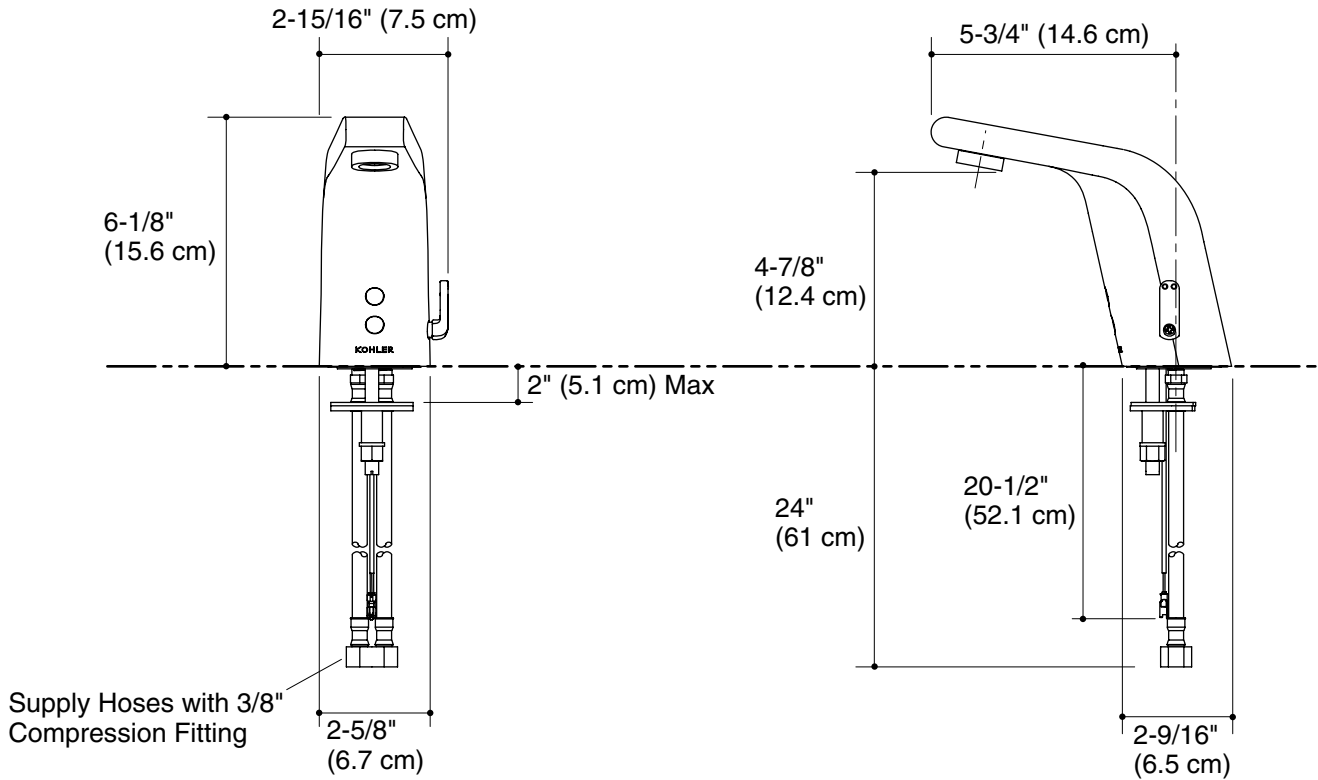
The minimum distance between the back of the faucet spout and the wall must be 1-3/4" (4.4 cm). This will allow proper clearance for setscrew access.

The maximum distance between the lavatory basin edge to the base of the faucet spout must be 1-3/4" (4.4 cm).

The maximum height of the lip basin should be 3/4" (1.9 cm).

Product includes 0.5 gpm (1.9 lpm) rosebud spray aerator. Other aerator styles are available. Please contact your distributor or see Kohler.com.

This product requires an AC power supply (not included).



Product Diagram