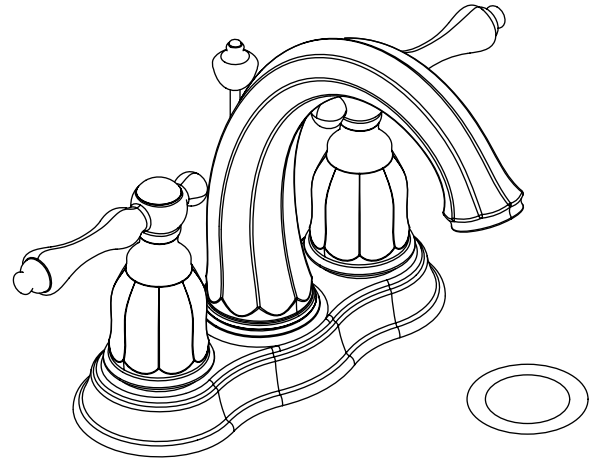


**CENTERSET LAVATORY FAUCET  
K-13490**

**Features**

- Brass construction
- Cast brass waterway
- Brass valve bodies
- Quarter-turn washerless ceramic disc valves
- For 4" (10.2 cm) centers
- Lever handles are ADA compliant
- Pop-up drain with tailpiece
- 4-1/2" (11.4 cm) spout reach
- Stationary spout
- 1.5 gallons (5.7 liters) per minute maximum flow rate



**Codes/Standards Applicable**

Specified model meets or exceeds the following at date of manufacture:

- ADA
- ASME A112.18.1/CSA B125.1
- ICC/ANSI A117.1
- NSF 61
- Energy Policy Act of 1992
- All applicable US Federal and State material regulations
- EPA WaterSense®

**Colors/Finishes**

- CP: Polished Chrome
- Other: Refer to Price Book for additional colors/finishes

**Specified Model:**

| Model                       | Description  | Color/Finish                |                                     |
|-----------------------------|--|-----------------------------|-------------------------------------|
| K-13490-4                   | Centerset lavatory faucet  | <input type="checkbox"/> CP | <input type="checkbox"/> Other ____ |
| <b>Optional Accessories</b> |  |                             |                                     |
| _____                       | Additional flow options are available (refer to the Kohler Price Book) |                             | <input type="checkbox"/> NA         |

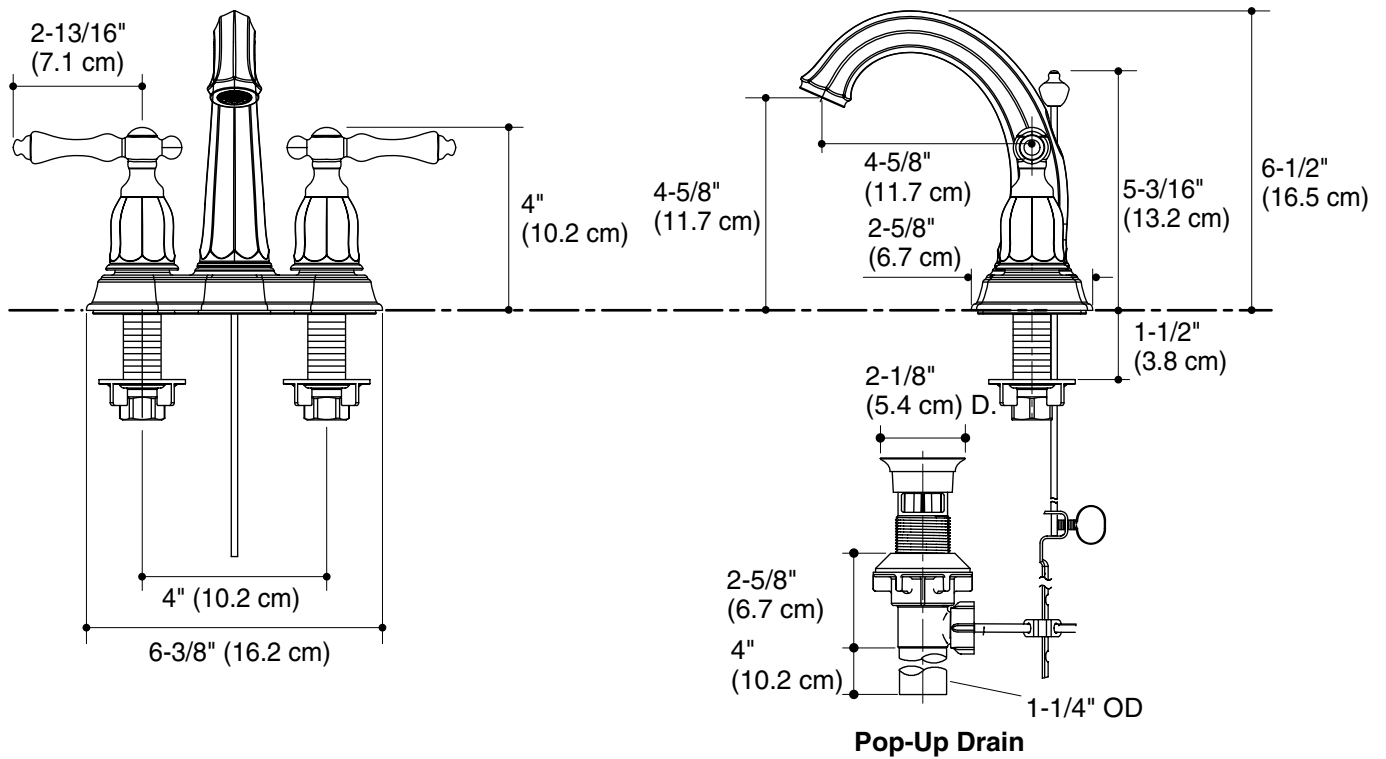
**PRODUCT SPECIFICATION**

The centerset lavatory faucet shall be made of brass construction with a cast brass waterway and cast brass valve bodies. Product shall have a 1.5 gallons (5.7 L) per minute maximum flow rate. Product shall feature quarter-turn washerless ceramic disc valves. Product shall be for 4" (10.2 cm) centers. Product shall feature a 4-1/2" (11.4 cm) spout reach, a pop-up drain with tailpiece, stationary spout, and ADA compliant lever handles. Faucet shall be Kohler Model K-13490-4-\_\_\_\_\_.

# KELSTON™

## Installation Notes

Install this faucet following the installation instructions provided.



## Product Diagram