

**WIDESPREAD LAVATORY FAUCET  
K-13491**

**Features**

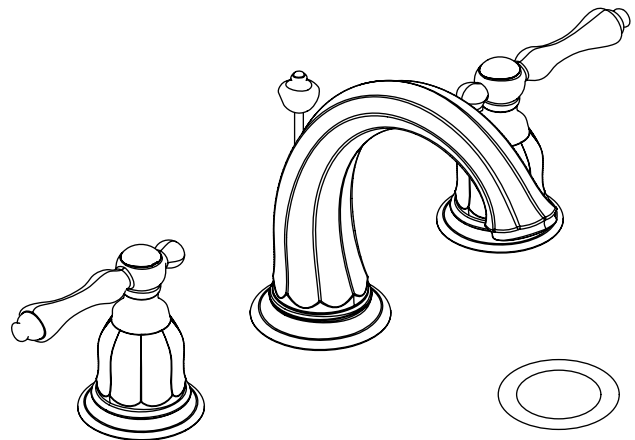
- Metal construction
- Brass valve bodies
- Quarter-turn washerless ceramic disc valves
- Lever handles are ADA compliant
- Pop-up drain with tailpiece
- For 8" (20.3 cm) or 16" (40.6 cm) centers
- 4-1/2" (11.4 cm) spout reach
- 1.5 gallons (5.7 liters) per minute maximum flow rate



**Codes/Standards Applicable**

Specified model meets or exceeds the following at date of manufacture:

- ADA
- ASME A112.18.1/CSA B125.1
- ICC/ANSI A117.1
- NSF 61
- Energy Policy Act of 1992
- All applicable US Federal and State material regulations
- EPA WaterSense®



**Colors/Finishes**

- CP: Polished Chrome
- Other: Refer to Price Book for additional colors/finishes

**Specified Model:**

| Model                       | Description  | Color/Finish                |                                      |
|-----------------------------|--|-----------------------------|--------------------------------------|
| K-13491-4                   | Widespread lavatory faucet   | <input type="checkbox"/> CP | <input type="checkbox"/> Other _____ |
| <b>Optional Accessories</b> |  |                             |                                      |
| _____                       | Additional flow options are available (refer to the Kohler Price Book) |                             | <input type="checkbox"/> NA          |

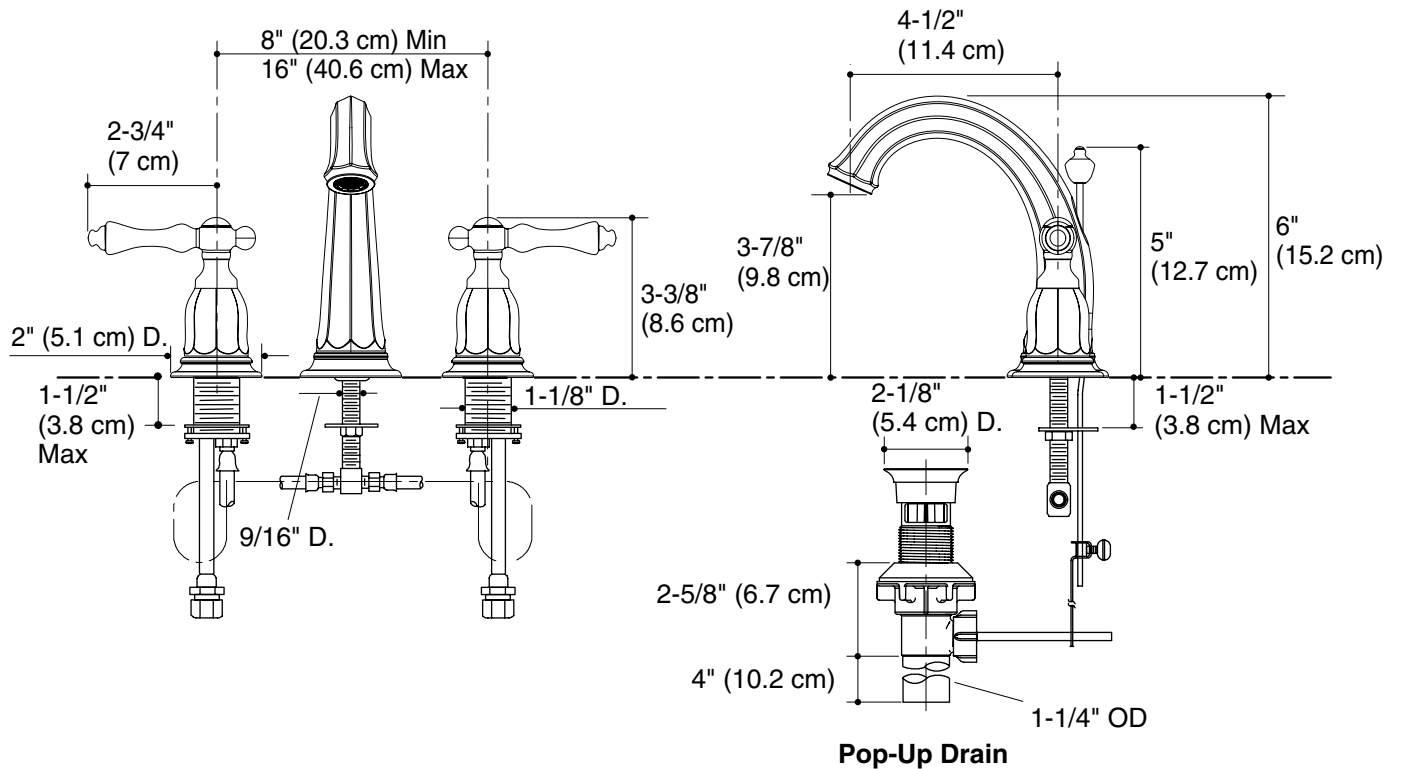
**PRODUCT SPECIFICATION**

Two-handle widespread lavatory faucet shall be made of metal construction. Faucet shall feature brass valve bodies. Faucet shall feature quarter-turn washerless ceramic disc valves. Faucet shall have a 1.5 gallons (5.7 L) per minute flow rate. Product shall be for 8" (20.3 cm) or 16" (40.6 cm) centers, 4-1/2" (11.4 cm) spout reach, pop-up drain with tailpiece, and lever handles. Lever handles are ADA compliant. Faucet shall be Kohler Model K-13491-4-\_\_\_\_\_.

# KELSTON™

## Installation Notes

Install this faucet following the installation instructions provided.



## Product Diagram