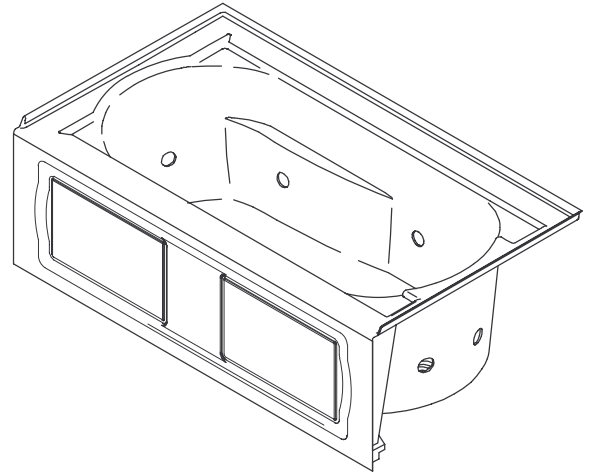


BATH WHIRLPOOL WITH INTEGRAL APRON

K-1357-LA/RA

FEATURES

- 60" (152.4cm) x 32" (81.3cm) x 20" (50.8cm)
- Integral apron with removable access panel
- Acrylic
- 8 Kohler jets, color matched
- 1.25 hp pump with air switch actuator
- Integral lumbar support and armrests
- Pump is supplied with a grounding-type plug-in cord
- Left or right outlet
- Integral tile flange



CODES/STANDARDS APPLICABLE

Specified model meets or exceeds the following:

- ANSI Z124.1
- ASME/ANSI A112.19.7M
- IAPMO/UPC
- Underwriters Laboratories (UL)
- State of Massachusetts

COLORS/FINISHES

- 0 White
- Other Refer to Fixtures Price Book for additional colors

Accessories:

- CP Polished Chrome
- PB Polished Brass
- Other Refer to Fixtures Price Book for additional colors

SPECIFIED MODEL:

Model	Description	Colors/Finishes	
K-1357-LA	Bath whirlpool with left outlet, integral apron	<input type="checkbox"/> 0 White	<input type="checkbox"/> Other _____
K-1357-RA	Bath whirlpool with right outlet, integral apron	<input type="checkbox"/> 0 White	<input type="checkbox"/> Other _____

Recommended Accessories				
K-7161-AF	Drain	<input type="checkbox"/> CP	<input type="checkbox"/> PB	<input type="checkbox"/> Other _____

PRODUCT SPECIFICATION:

The bath whirlpool shall be 60" (152.4cm) in length, 32" (81.3cm) in width, and 20" (50.8cm) in height. Bath whirlpool shall be made of acrylic. Bath whirlpool shall have 8 color-matched Kohler jets, 1.25 hp pump, and air actuator. Bath whirlpool shall be UL listed. Bath whirlpool pump shall be supplied with a plug-in cord. Bath whirlpool shall be Kohler Model K-1357-LA/RA-_____.

PRODUCT INFORMATION

Left outlet, integral apron	K-1357-LA	shown	
Right outlet, integral apron	K-1357-RA	not shown	
Fixture*:	basin area	top area	weight
Bathing well	42" (106.7cm) x 20" (50.8cm)	51" (129.5cm) x 24" (61cm)	135 lbs. (61.2kg)
	water depth	capacity	
To overflow	14" (35.6cm)	60 gal. (227.1L)	

* Approximate measurements for comparison only.

Pump	HP	V	Hz	A
1-speed	1.25	120	60	7

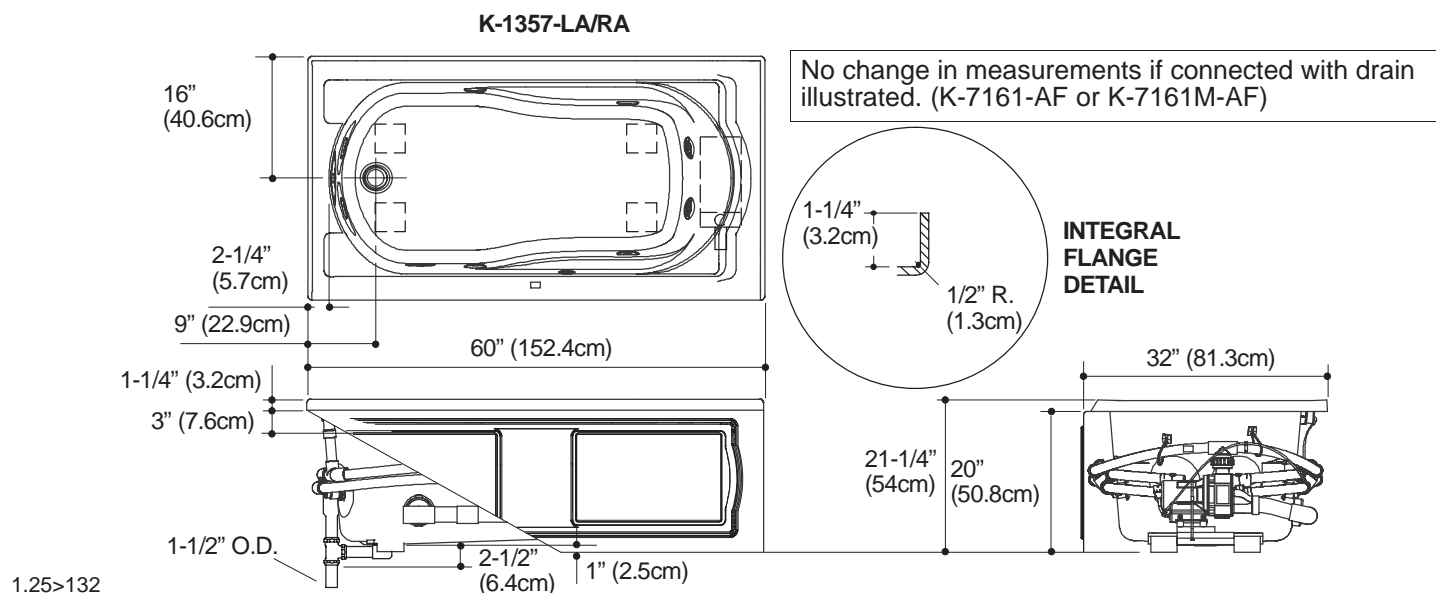
REQUIRED ELECTRICAL SERVICE

Dedicated circuit required, protected with Class A Ground-Fault Circuit-Interrupter (GFCI):	
Pump/control	120V., 15A., 60 Hz

INSTALLATION NOTES

Floor support under this product must provide for minimum loading of 80 lbs./square foot (390 Kg./square meter).

Fixture conforms to ANSI Standard Z124.1. All dimensions are nominal.



PRODUCT DIAGRAM