



Features

- Integral high-dome ceiling.
- Integral ledges.
- Compliments traditional and contemporary bathroom designs.

Required Accessories

K- 9459 Grab Bar and Shelf Accessory Kit

Recommended Accessories

1647-PC

K-1665

K- 1695 Steam Generator

1708

K- 9499 Removable Shower Seat



Codes/Standards

CSA B45.5/IAPMO Z124

ASTM E162

ASTM E662




Greenguard UL 2818 - Gold

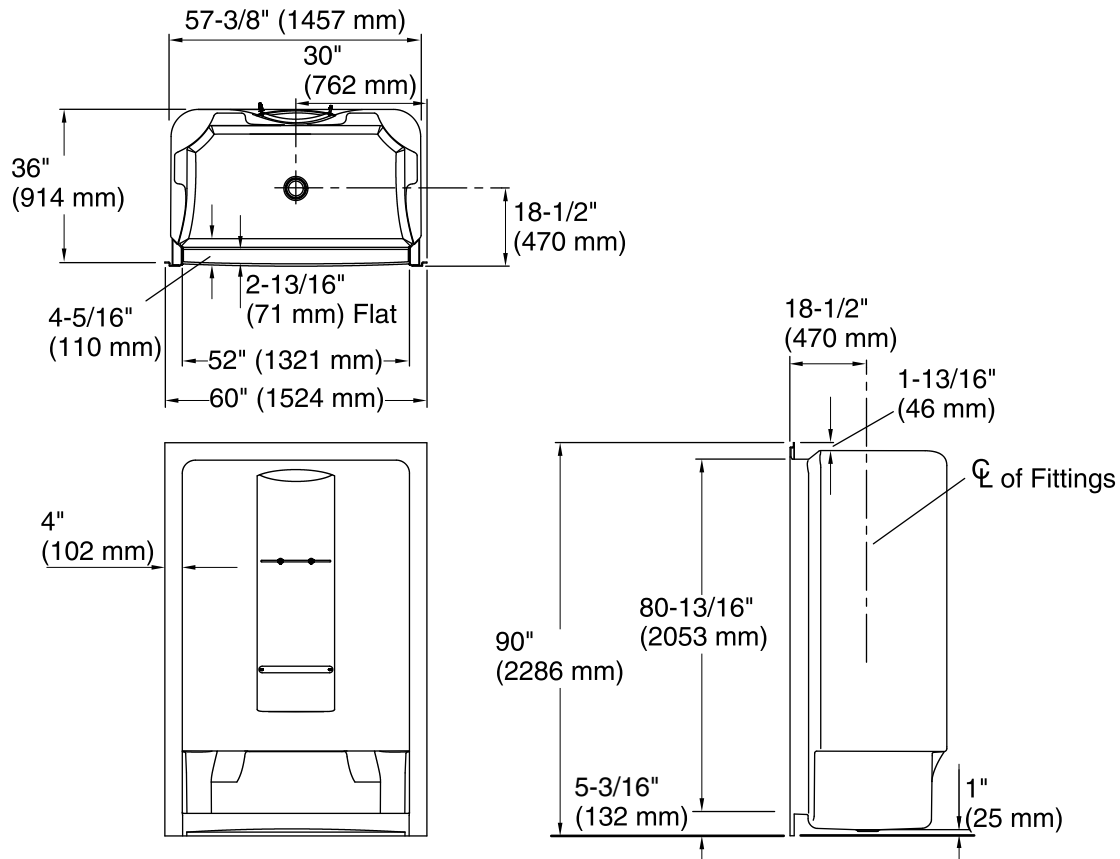
KOHLER® One-Year Limited Warranty

See website for detailed warranty information.

Available Color/Finishes

Color tiles intended for reference only.

Color	Code	Description
	0	White
	96	Biscuit
	47	Almond



Technical Information

All product dimensions are nominal.

Installation:	3-Wall Alcove
Drain location:	Center
Drain hole diameter:	3-3/8" (86 mm)
Weight:	200 lbs (90.7 kg)
Minimum floor load:	28 lbs/ft ² (136.7 kg/m ²)

Notes

Measure your actual product for rough-in details.

Install this product according to the installation instructions.

KOHLER steam generator/control kit are designed for use with this product. Kohler Co. shall not be responsible for problems encountered due to the installation and use of other manufacturer's steam generators.