

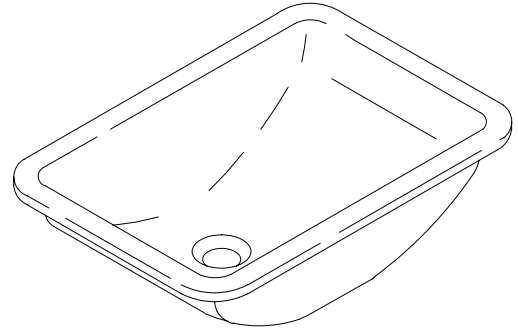
UNDERCOUNTER LAVATORY

K-2214, K-2215

ADA

FEATURES

- 18" (45.7cm) x 12" (30.5cm) (K-2214)
- 21" (53.3cm) x 14" (35.6cm) (K-2215)
- Vitreous china
- Undercounter
- With overflow
- ADA compliant when installed with 21" (53.3cm) minimum depth countertop
- Includes 52047 clamp assembly



CODES/STANDARDS APPLICABLE

Specified model meets or exceeds the following:

- ADA
- ASME/ANSI A112.19.2M
- CABO/ANSI A117.1
- IAPMO/UPC
- Canadian Standards Association (CSA)
- State of Massachusetts

COLORS/FINISHES

- 0 White
- Other Refer to Fixtures Price Book for additional colors

Accessories:

- CP Polished Chrome
- Other Refer to Faucets Price Book for additional finishes

SPECIFIED MODEL:

Model	Description	Colors/Finishes	
K-2214	18" (45.7cm) x 12" (30.5cm) lavatory	<input type="checkbox"/> 0 White	<input type="checkbox"/> Other_____
K-2214-G	18" (45.7cm) x 12" (30.5cm) lavatory with glazed underside	<input type="checkbox"/> 0 White	<input type="checkbox"/> Other_____
K-2215	21" (53.3cm) x 14" (35.6cm) lavatory	<input type="checkbox"/> 0 White	<input type="checkbox"/> Other_____
Optional Accessories			
K-8998	Trap	<input type="checkbox"/> CP	<input type="checkbox"/> Other_____

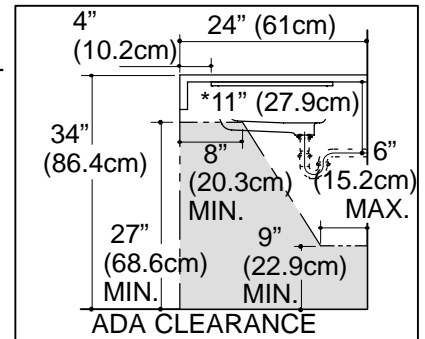
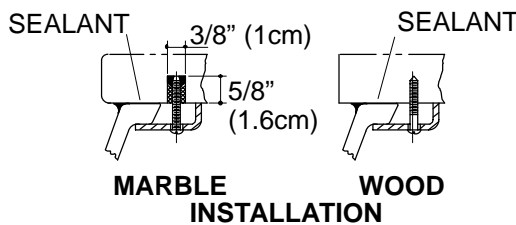
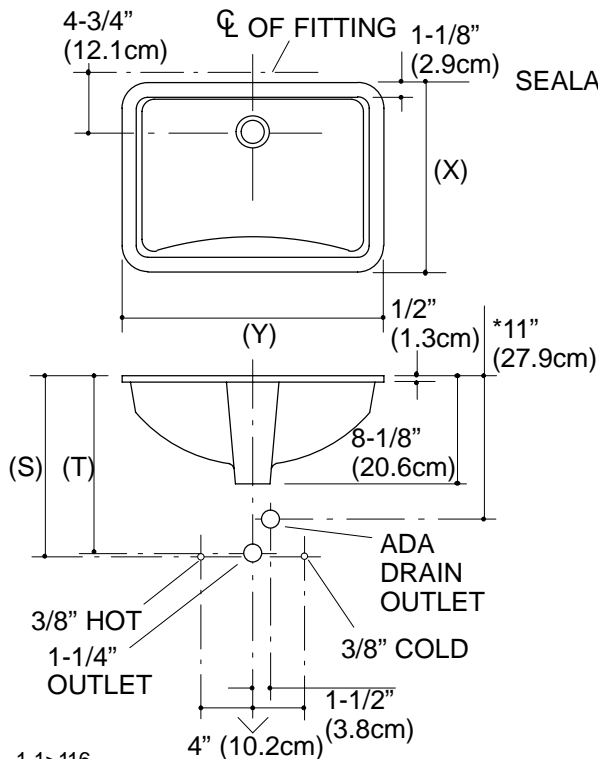
PRODUCT SPECIFICATION:

The undercounter lavatory shall be 18" (45.7cm) in length, and 12" (30.5cm) in width (K-2214) or 21" (53.3cm) in length, and 14" (35.6cm) in width (K-2215). Lavatory shall be made of vitreous china. Lavatory shall have overflow. Lavatory shall be ADA compliant when installed with 21" (53.3cm) minimum depth countertop. Lavatory shall include 52047 clamp assembly. Lavatory shall be Kohler Model K-_____-_____.

PRODUCT INFORMATION

ADA compliant.			
Fixture*:		basin area	water depth
K-2214		18" (45.7cm)x 12" (30.5cm)	4-5/8" (11.7cm)
K-2215		21"(53.3cm) x 14" (35.6cm)	4-5/8" (11.7cm)
Outlet	1-3/4" D. (4.4cm)		
* Approximate measurements for comparison only.			

Included Components:	
Adhesive sealant	63034
Basin clamp assembly	52047
Cutout template, K-2214	106354-7
Cutout template, K-2215	1002977-7



Roughing-In Notes
*Based on K-8998 with 1" (2.5cm) of tailpiece exposed.
(T) Pop-up drain typically 13-3/4" (34.9cm).
(S) 14" (35.6cm) (Based on 12" (30.5cm) riser which may require cutting).
Supplied basin clamp assemblies require 1" (2.5cm) minimum countertop thickness. Installer must supply anchors for thinner countertops.
K-2214: (X)=14-1/4" (36.2cm), (Y)= 20-1/4" (51.4cm)
K-2215: (X)=16-1/4" (41.3cm), (Y)= 23-1/4" (59.1cm)

PRODUCT DIAGRAM