

MIRROR K-2503

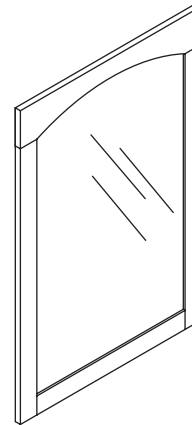
Features

- Frame of birch solids and paintable substrate with catalyzed polyurethane finish
- Vertical wall-mount installation
- Includes hanger
- Coordinates with the Alberry vanities
- 24" (61 cm) x 33" (83.8 cm) x 1" (2.5 cm)

Codes/Standards Applicable

Specified model meets or exceeds the following:

- None applicable



Colors/Finishes

- F40: Cinder

Specified Model

Model	Description	Colors/Finishes
K-2503	Mirror – vertical wall-mount	<input type="checkbox"/> F40

Recommended Vanities		
K-2412	Alberry vanity, 24" (61 cm) width	<input type="checkbox"/> F40
K-2463	Alberry vanity, 30" (76.2 cm) width	<input type="checkbox"/> F40
K-2488	Alberry vanity, 36" (91.4 cm) width	<input type="checkbox"/> F40
K-2494	Alberry vanity, 48" (121.9 cm) width	<input type="checkbox"/> F40

Product Specification

The mirror shall be 24" (61 cm) in width, 33" (83.8 cm) in height, and 1" (2.5 cm) in depth. Mirror frame shall be made of birch solids and paintable substrate with catalyzed polyurethane finish. Mirror shall be for vertical-mount installation and includes hanger. Mirror shall coordinate with the Alberry vanities. Mirror shall be Kohler Model K-2503-F40.

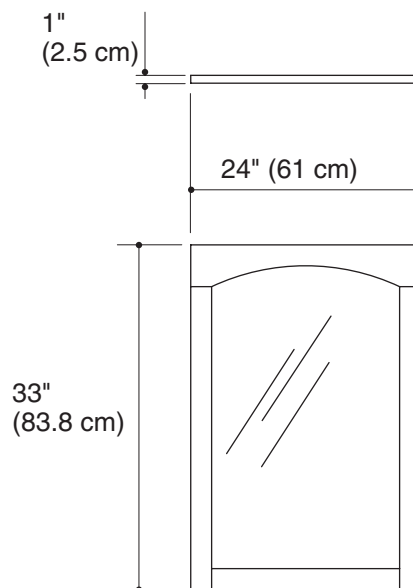
ALBERRY™

Installation Notes

Install this product according to the installation guide.

Select the type of fastener based on the wall material. A minimum 20 lb (9.07 kg) load bearing fastener is recommended.

Install the fastener to a stud to avoid possible property and product damage.



Product Diagram