

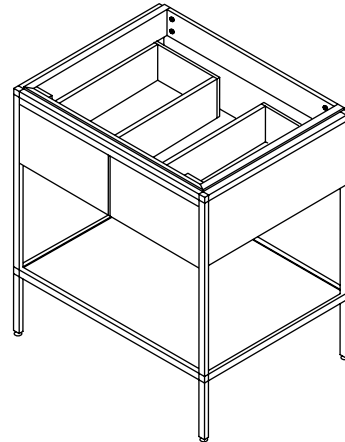
Features

- Durable melamine surfaces on interior and exterior of cabinet
- Durable silver metallic powder coated metal finishes
- Frosted glass shelf
- Easy to clean surfaces
- Two drawers for ample storage
- 25" (63.5 cm) x 22" (55.9 cm) x 31-1/2" (80 cm)

Codes/Standards Applicable

Specified model meets or exceeds the following:

- CARB Compliant materials
(ATCM 93120_93120.12 Title 17)



Colors/Finishes

- F65: Contrary

Accessories

- 0: White
- Other: Refer to Price Book for additional colors/finishes

Specified Model

Model	Description	Colors/Finishes	
K-2527	Petite vanity – 25" (63.5 cm) width	<input type="checkbox"/> F65	
Recommended Basin			
K-2956	Persuade lavatory	<input type="checkbox"/> 0	<input type="checkbox"/> Other

Product Specification

The vanity shall be 25" (63.5 cm) in width, 22" (55.9 cm) in depth, and 31-1/2" (80 cm) in height. Product shall be made of durable melamine surfaces on interior and exterior of cabinet. Product shall feature durable silver metallic powder coated metal finishes and easy to clean surfaces. Product shall feature two drawers for ample storage. Product shall feature frosted glass shelf. Vanity shall be Kohler Model K-2527-_____.

PERSUADE®

Installation Notes

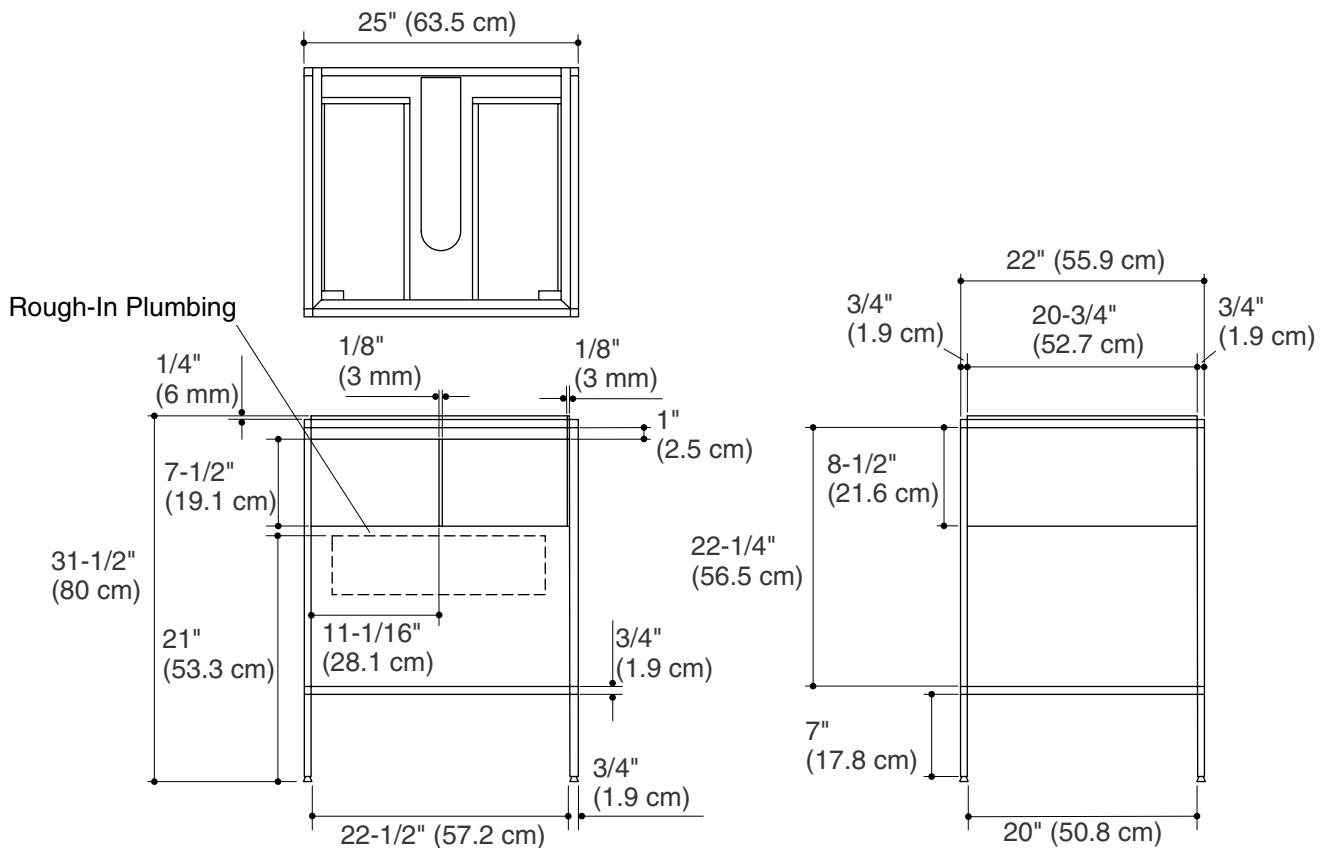


WARNING: Risk of property damage. Select 250 lbs (113.4 kg) load bearing lag bolts with a length that can safely clear any obstacles in the wall. Calculate the proper length of the lag bolts by adding the following: 1-1/2" (3.8 cm) bracing + wall board thickness + bracket thickness.

NOTICE: If installing a lavatory: The plumbing must be roughed into the plumbing cutout area of the vanity. Refer to the lavatory roughing-in and the vanity roughing-in for proper placement. The water supply and drain lines must be installed before installing the vanity.

NOTE: The K-2956 Persuade lavatory is recommended for this vanity. Do not select an undercounter Caxton® model for this vanity, as it is not designed for this vanity.

Install this product according to the installation guide.



Product Diagram