

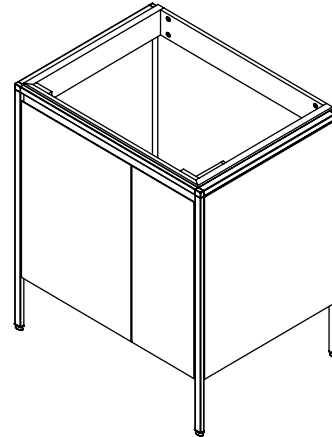
#### Features

- Durable melamine surfaces on interior and exterior of cabinet
- Durable silver metallic powder coated metal finishes
- Easy to clean surfaces
- 25" (63.5 cm) x 22" (55.9 cm) x 31-1/2" (80 cm)

#### Codes/Standards Applicable

Specified model meets or exceeds the following:

- CARB Compliant materials  
(ATCM 93120\_93120.12 Title 17)



#### Colors/Finishes

- F65: Contrary

#### Accessories

- 0: White
- Other: Refer to Price Book for additional colors/finishes

#### Specified Model

Model	Description	Colors/Finishes
K-2529	Vanity – 25" (63.5 cm) width	<input type="checkbox"/> F65
Recommended Basin		
K-2956	Persuade lavatory	<input type="checkbox"/> 0 <input type="checkbox"/> Other _____

#### Product Specification

The vanity shall be 25" (63.5 cm) in width, 22" (55.9 cm) in depth, and 31-1/2" (80 cm) in height. Product shall be made of melamine surfaces on interior and exterior of cabinet. Product shall feature powder coated metal edges and easy to clean surfaces. Vanity shall be Kohler Model K-2529-\_\_\_\_\_.

# PERSUADE®

## Installation Notes

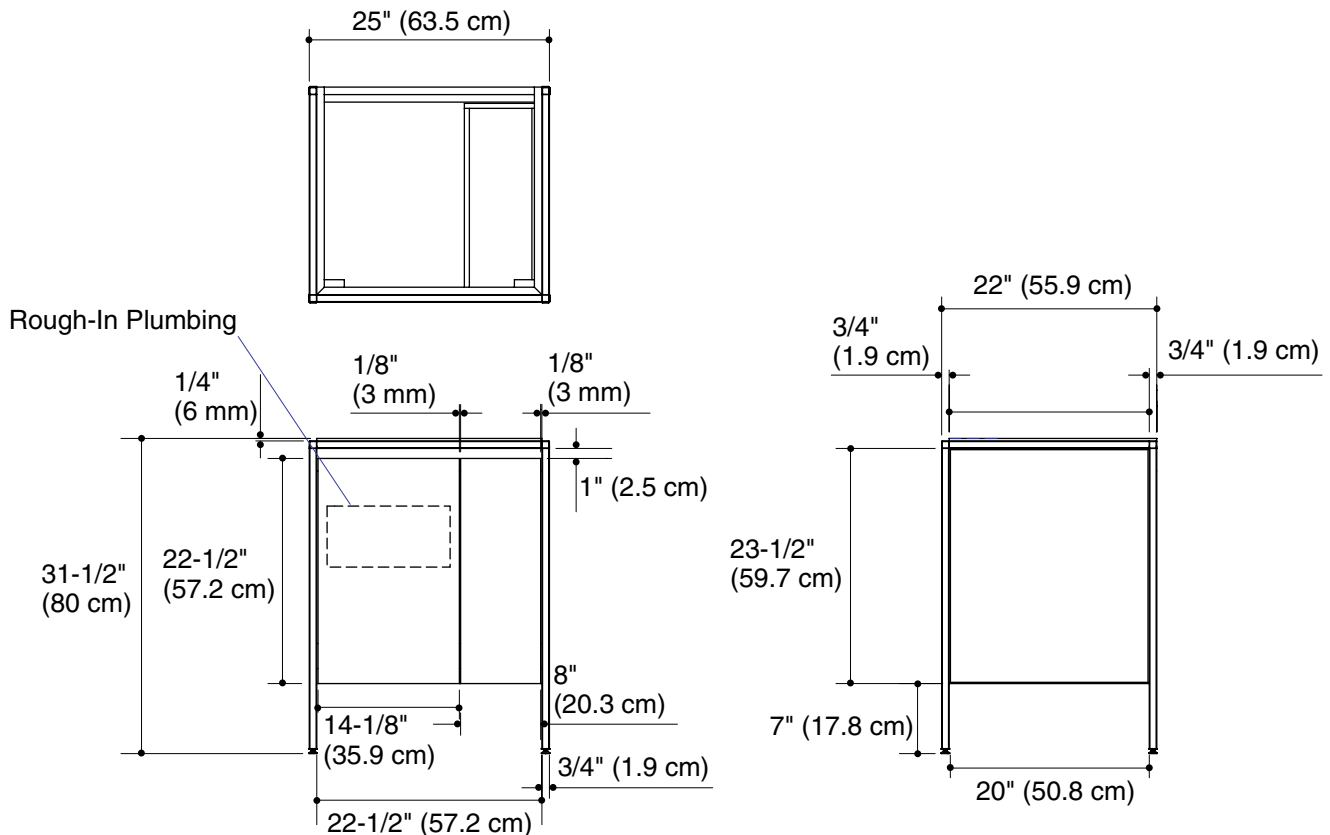


**WARNING: Risk of property damage.** Select 250 lbs (113.4 kg) load bearing lag bolts with a length that can safely clear any obstacles in the wall. Calculate the proper length of the lag bolts by adding the following: 1-1/2" (3.8 cm) bracing + wall board thickness + bracket thickness.

**NOTICE: If installing a lavatory:** The plumbing must be roughed into the plumbing cutout area of the vanity. Refer to the lavatory roughing-in and the vanity roughing-in for proper placement. The water supply and drain lines must be installed before installing the vanity.

**NOTE:** The K-2956 Persuade lavatory is recommended for this vanity. Do not select an undercounter Caxton® model for this vanity, as it is not designed for this vanity.

Install this product according to the installation guide.



Product Diagram