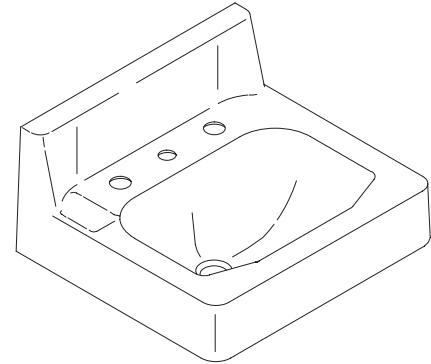


WALL-MOUNT LAVATORY

K-2812, K-2867, K-2868

ADA



FEATURES

- 20" (50.8cm) x 18" (45.7cm)
- Cast iron
- Wall-mount
- 8" (20.3cm) centers (K-2868), 4" (10.2cm) centers (K-2867), or single-hole (K-2812) drilling
- With overflow
- ADA compliant
- Lugs for chair carrier
- Optional soap dispenser hole on left (-L) or right (-R)
- 11-1/2" (29.2cm) thru bolt holes (-B)

CODES/STANDARDS APPLICABLE

Specified model meets or exceeds the following:

- ADA
- ASME/ANSI A112.19.2M
- CABO/ANSI A117.1
- IAPMO/UPC
- CSA International B45
- State of Massachusetts

HOLE OPTIONS

- L Soap dispenser hole on left
- R Soap dispenser hole on right
- B 11-1/2" (29.2cm) thru bolt holes

COLORS/FINISHES

- 0 White
- Other Refer to Fixtures Price Book for additional colors

Accessories:

- CP Polished Chrome
- Other Refer to Faucets Price Book for additional finishes

SPECIFIED MODEL:

| Model | Description | Hole Options | | | Colors | |
|--------|------------------------------|--------------------------|--------------------------|--------------------------|--------------------------|--------------------------|
| | | -L | -R | -B | 0 White | Other |
| K-2812 | Single-hole lavatory | <input type="checkbox"/> | <input type="checkbox"/> | <input type="checkbox"/> | <input type="checkbox"/> | <input type="checkbox"/> |
| K-2867 | 4" (10.2cm) centers lavatory | <input type="checkbox"/> | <input type="checkbox"/> | <input type="checkbox"/> | <input type="checkbox"/> | <input type="checkbox"/> |
| K-2868 | 8" (20.3cm) centers lavatory | <input type="checkbox"/> | <input type="checkbox"/> | <input type="checkbox"/> | <input type="checkbox"/> | <input type="checkbox"/> |

Recommended Accessories

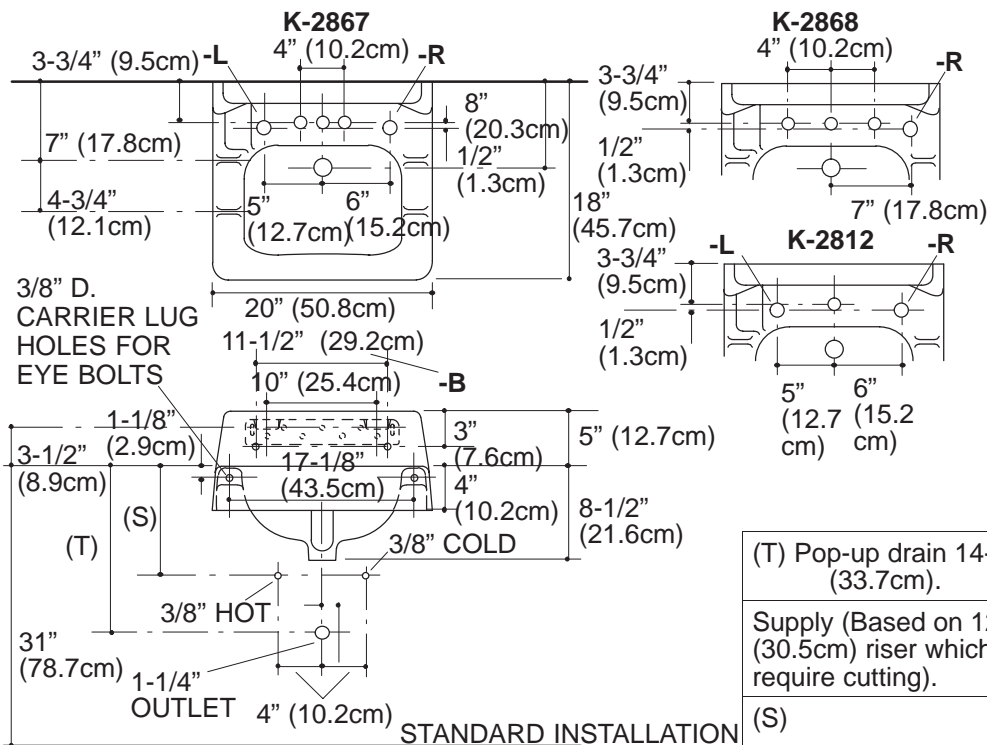
| | | | |
|--------|------|-----------------------------|-------------------------------------|
| K-8998 | Trap | <input type="checkbox"/> CP | <input type="checkbox"/> Other_____ |
|--------|------|-----------------------------|-------------------------------------|

PRODUCT SPECIFICATION:

The wall-mount lavatory with back, shall be 20" (50.8cm) in length, and 18" (45.7cm) in width. Lavatory shall be made of cast iron. Lavatory shall have 8" (20.3cm) centers (K-2868), 4" (10.2cm) centers (K-2867), or single-hole (K-2812) drilling. Lavatory shall have overflow. Lavatory shall be ADA compliant. Lavatory shall have lugs for chair carrier. Lavatory shall have soap dispenser hole on left (-L) or right (-R). Lavatory shall have 11-1/2" (29.2cm) thru bolt holes (-B). Lavatory shall be Kohler Model K-_____-_____-_____.

PRODUCT INFORMATION

| | | | |
|---|------------------------|-----------------------------------|----------------------|
| ADA compliant. | | | |
| Fixture*: | | basin area | water depth |
| Lavatory | | 15" (38.1cm) x 10" (25.4cm) | 5" (12.7cm) |
| Drain hole | 1-11/16" D. (4.3cm) | | |
| * Approximate measurements for comparison only. | | | |
| Holes | K-2868 | K-2867 | K-2812 |
| Spout | 1-1/8" D. (2.9cm) | 1-1/8" D. (2.9cm) | 1-3/8" D. (3.5cm) |
| Faucet | 1-3/8" D. (3.5cm) | 1-3/16" D. (3cm) | |
| Soap dispenser | | | 1-1/4" D. (3.2cm) |
| Included Components: | | | |
| Hanger | | | 64503 |



| | | |
|---|------------------|--------------|
| (T) Pop-up drain 14-1/8" (35.9cm), grid drain 13-1/4" (33.7cm). | | |
| Supply (Based on 12" (30.5cm) riser which may require cutting). | K-2867 K-2812 | K-2868 |
| (S) | 10" (25.4cm) | 14" (35.6cm) |

.95<116

PRODUCT DIAGRAM