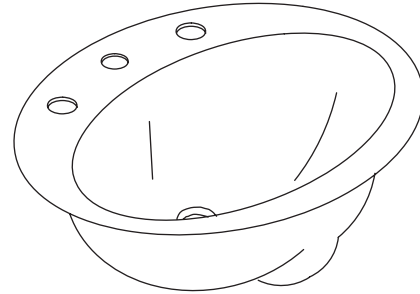


COUNTERTOP LAVATORY K-2905

ADA

Features

- KOHLER cast iron
- With overflow
- Optional soap dispenser hole on left (-L) or right (-R)
- 8" (20.3 cm) centers (-8), 4" (10.2 cm) centers (-4), or single-hole (-1)
- ADA compliant when installed in a 21" (53.3 cm) minimum depth countertop.
- 19-1/4" (48.9 cm) x 16-1/4" (41.3 cm)



Codes/Standards Applicable

Specified model meets or exceeds the following:

- ADA
- ASME A112.19.2
- IAPMO/UPC
- Listed in State of Massachusetts
- CSA B45

Colors/Finishes

- 0: White
- Other: Refer to Price Book for additional colors/finishes

Accessories:

- CP: Polished Chrome

Specified Model

Model	Description	Colors/Finishes	
K-2905-1	Single hole lavatory less soap dispenser hole	<input type="checkbox"/> 0 White	<input type="checkbox"/> Other_____
K-2905-1L	Single hole lavatory with soap dispenser hole on left	<input type="checkbox"/> 0 White	<input type="checkbox"/> Other_____
K-2905-1R	Single hole lavatory with soap dispenser hole on right	<input type="checkbox"/> 0 White	<input type="checkbox"/> Other_____
K-2905-4	4" (10.2 cm) centers lavatory less soap dispenser hole	<input type="checkbox"/> 0 White	<input type="checkbox"/> Other_____
K-2905-4L	4" (10.2 cm) centers lavatory with soap dispenser hole on left	<input type="checkbox"/> 0 White	<input type="checkbox"/> Other_____
K-2905-4R	4" (10.2 cm) centers lavatory with soap dispenser hole on right	<input type="checkbox"/> 0 White	<input type="checkbox"/> Other_____
K-2905-8	8" (20.3 cm) centers lavatory less soap dispenser hole	<input type="checkbox"/> 0 White	<input type="checkbox"/> Other_____
K-2905-8L	8" (20.3 cm) centers lavatory with soap dispenser hole on left	<input type="checkbox"/> 0 White	<input type="checkbox"/> Other_____
K-2905-8R	8" (20.3 cm) centers lavatory with soap dispenser hole on right	<input type="checkbox"/> 0 White	<input type="checkbox"/> Other_____
Recommended Accessory			
K-8998	P-trap	<input type="checkbox"/> CP	<input type="checkbox"/> Other_____

Product Specification

The countertop lavatory shall be 19-1/4" (48.9 cm) in length, and 16-1/4" (41.3 cm) in width. Lavatory shall be made of cast iron. Lavatory shall have 8" (20.3 cm) centers (K-2905-8), 4" (10.2 cm) centers (K-2905-4), or single-hole (K-2905-1) drilling. Lavatory shall have overflow. Lavatory shall be ADA compliant when installed in a 21" (53.3 cm) minimum depth countertop. Lavatory shall have optional soap dispenser hole on left (-L) or right (-R). Lavatory shall be Kohler Model K-2905-_____-_____.

FARMINGTON™

Technical Information

ADA compliant		
Mexico products have an M after the first sequence of numbers (such as K-12345 M)		
Fixture:*	Basin Area	Water Depth
Lavatory	16" (40.6 cm) x 11" (27.9 cm)	5" (12.7 cm)
Drain Hole	1-11/16" (4.3 cm) D.	
* Approximate measurements for comparison only.		

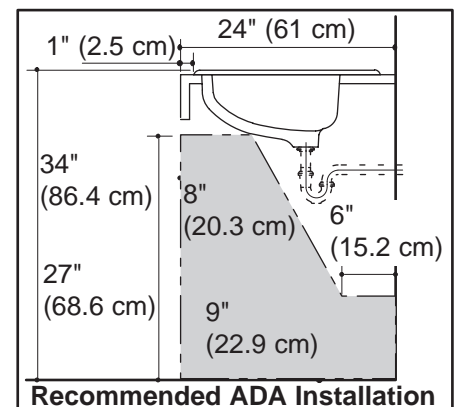
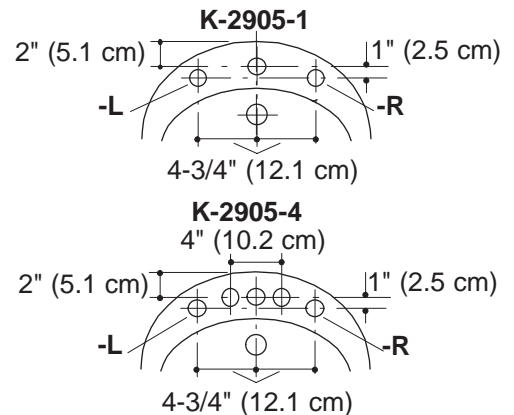
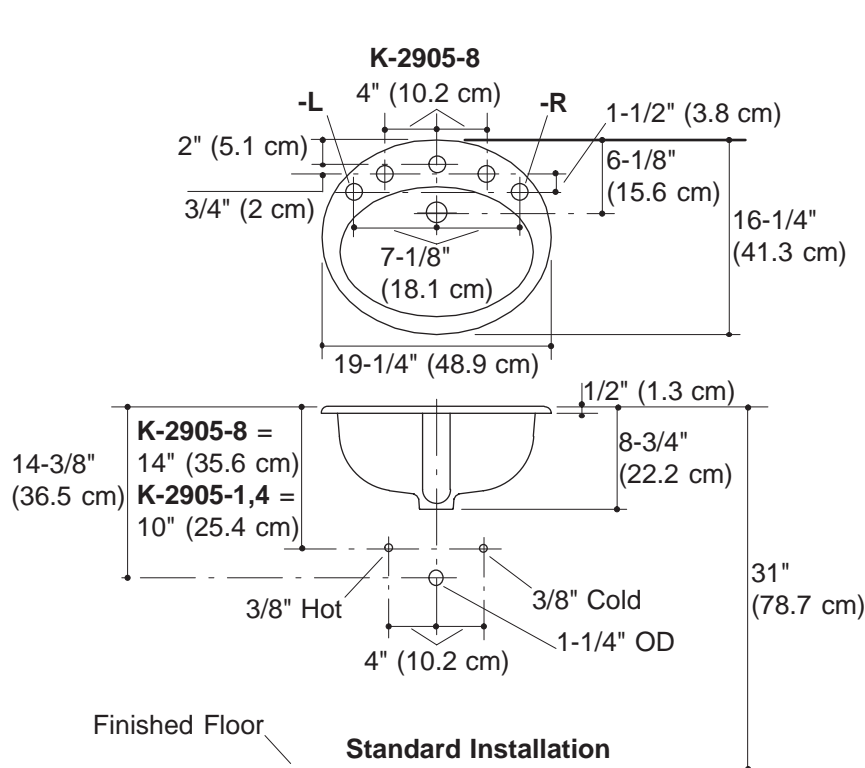
Holes	K-2905-1	K-2905-4	K-2905-8
Spout	1-3/8" (3.5 cm) D.	1-1/8" (2.9 cm) D.	1-1/8" (2.9 cm) D.
Faucet		1-3/16" (3.3 cm) D.	1-3/8" (3.5 cm) D.
Soap Dispenser	1-1/4" (3.2 cm) D.		

Included Components:	
Overflow ferrule	84896
Cut-out template	1002973-7

Installation Notes

Install this product according to the installation guide.

NOTICE: Countertop manufacturer or cutter **must** use the cutout template provided with the product, or a current one provided by Kohler Co. (call 1-800-43-FOCUS). Kohler Co. is not responsible for cutout errors when the incorrect cutout template is used.



Product Diagram