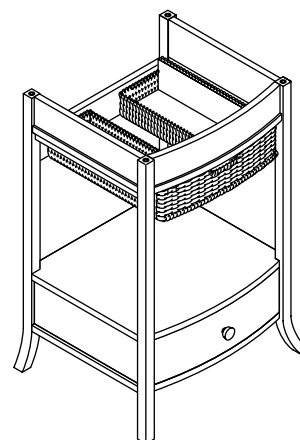


Features

- Select hard maple, both solids and veneers
- Catalyzed polyurethane finish
- Full-extension bottom drawer
- Three-quarter extension basket with epoxy slide
- Intended for use with Archer vitreous china lavatory [K-2358]
- 23" (58.4 cm) x 18-3/4" (47.6 cm) x 32-13/16" (83.3 cm)



Codes/Standards Applicable

Specified model meets or exceeds the following:

- None applicable

Colors/Finishes

- F2: Black Forest

Specified Model

Model	Description	Colors/Finishes
K-2449	Vanity	<input type="checkbox"/> F2

Required Lavatories			
K-2358-8	Archer lavatory with overflow – 8" (20.3 cm) centers	<input type="checkbox"/> 0	<input type="checkbox"/> Other
K-2358-4	Archer lavatory with overflow – 4" (10.2 cm) centers	<input type="checkbox"/> 0	<input type="checkbox"/> Other
K-2358-1	Archer lavatory with overflow – single hole	<input type="checkbox"/> 0	<input type="checkbox"/> Other

Product Specification

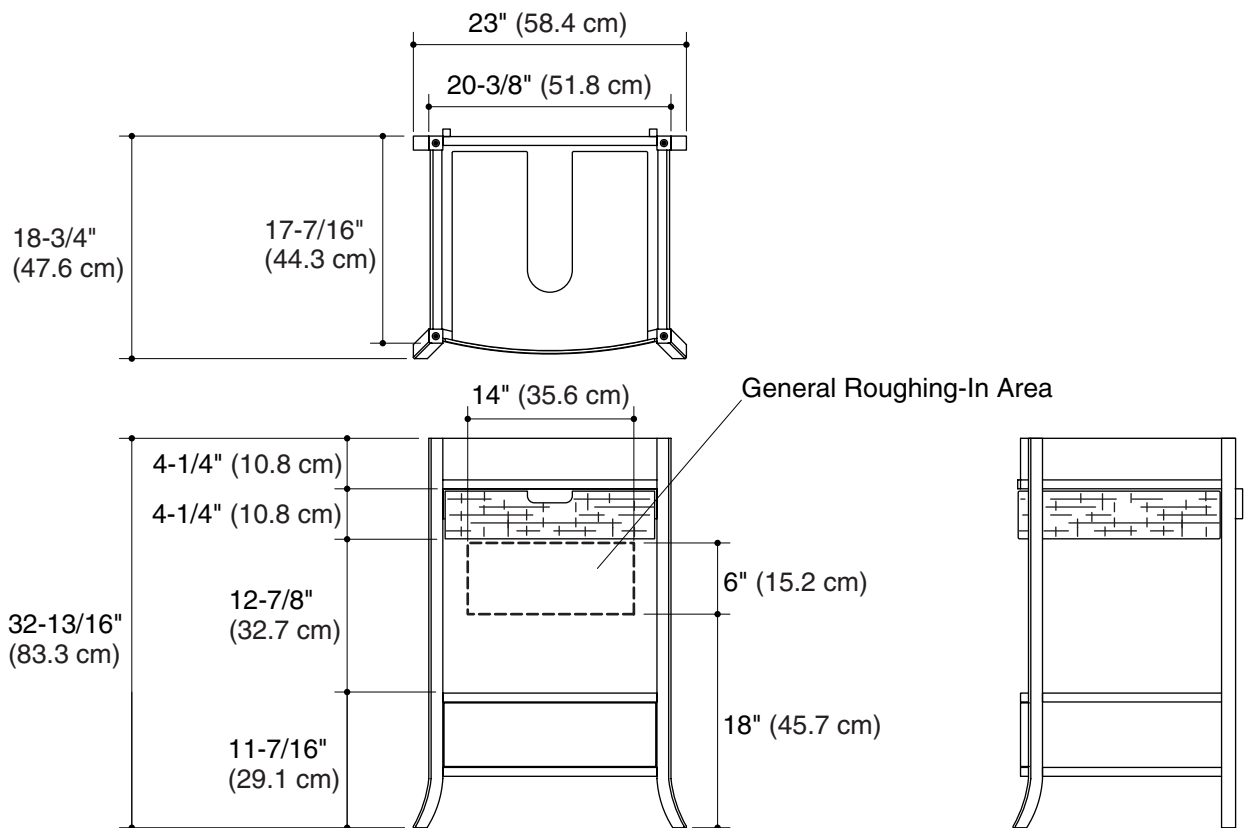
The vanity shall be 23" (58.4 cm) wide, 18-3/4" (47.6 cm) deep, and 32-13/16" (83.3 cm) high. Vanity shall be made of select hard maple, both solids and veneers, with a catalyzed polyurethane finish. Vanity shall feature a full-extension bottom drawer and three-quarter extension basket with epoxy slide. Vanity shall be intended for use with Archer vitreous china lavatory [K-2358]. Vanity shall be Kohler Model K-2449-_____.

ARCHER™

Installation Notes

Install this product according to the installation guide.

Decorative cabinet hardware is supplied. Refer to the Kohler bath accessories line for additional decorative cabinet hardware to complement your vanity.



Product Diagram