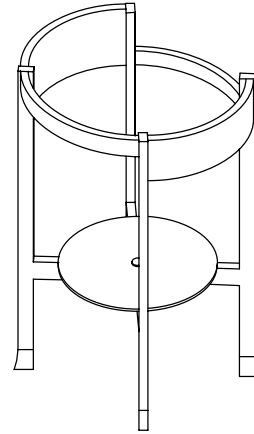


FEATURES

- 23-3/8" x 22" x 33-1/8"
- Solid select hard maple and veneers
- Designed for Iron Works lavatory
- Installed at 34" comfort height (with lavatory installed)
- Includes a round glass shelf



CODES/STANDARDS APPLICABLE

Specified model meets or exceeds the following:

- None applicable

COLORS/FINISHES

- F1 Sunwash
- F2 Black Forest

Accessories:

- SP Satin Chrome/Polished Chrome

SPECIFIED MODEL:

Model	Description	Table Colors/Finishes	
K-3116	Table	<input type="checkbox"/> F1	<input type="checkbox"/> F2

Required Lavatory:			
Model	Description	Colors/Finishes	
K-2822-8	8" centers, Iron Works™	<input type="checkbox"/> 0 White	<input type="checkbox"/> Other_____
K-2822-4	4" centers, Iron Works™	<input type="checkbox"/> 0 White	<input type="checkbox"/> Other_____
K-2822-1	Single-hole, Iron Works™	<input type="checkbox"/> 0 White	<input type="checkbox"/> Other_____

Optional accessory:		
K-3118	Towel Bar	<input type="checkbox"/> SP

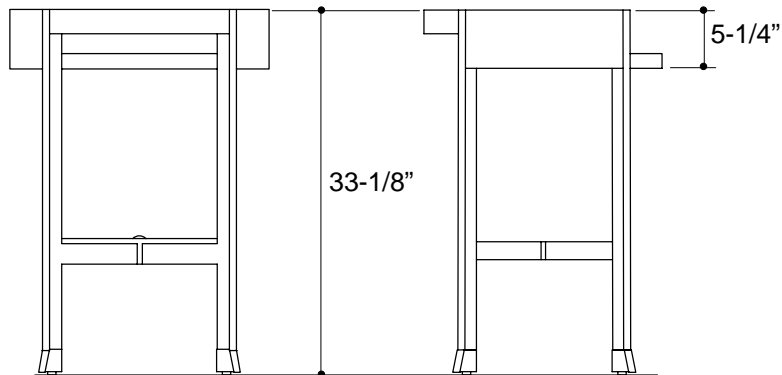
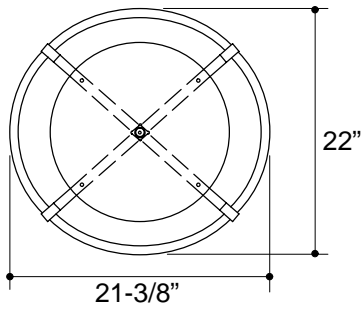
PRODUCT SPECIFICATION:

The table shall be 23-3/8" in length, 22" in width, and 33-1/8" in height. Table shall be made of solid select hard maple and veneers. Table shall be made for Iron Works lavatory. Table shall be installed at 34" comfort height (with lavatory installed). Table shall include a round glass shelf. Table shall be Kohler Model K-3116-_____.

IRON WORKS TELLIEUR™

PRODUCT INFORMATION

Included Components:	
Adhesive sealant	81489



1.25>316

PRODUCT DIAGRAM