

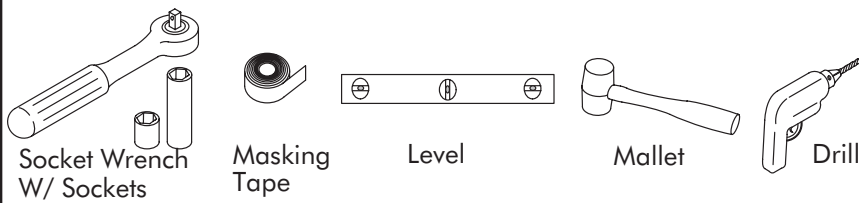
INSTALLATION

G U I D E

TELLIEUR™
TABLE
FOR
IRON WORKS
LAVATORY

THE BOLD LOOK
OF **KOHLER**®

RECOMMENDED TOOLS AND MATERIALS



BEFORE YOU BEGIN

Shut off the main water supply.

Observe local plumbing and building codes.

Make sure that 1/8" and 3/8" drill bits are available for use with the power drill.

The wall that is chosen for installation of the Tellieur Table and Cast Iron Lavatory must undergo a detailed construction procedure. This procedure must be completed before Tellieur Table assembly. **Instructions for the lavatory installation are provided in a separate document with the lavatory.**

New Home Construction: The mounting for the Cast Iron Lavatory requires customized lumber and hardware parts. The instructions that are provided for this procedure should be given to the builder when bathroom construction is about to begin. The lavatory mounting must be constructed and in place before the lavatory can be properly attached to the wall.

Existing Home Construction: The contractor should be advised that the existing wall section must be torn out in order to construct the customized mounting of lumber and hardware parts. The instructions that are provided for this procedure should be given to the builder when bathroom construction is about to begin. The lavatory mounting must be constructed and in place before the lavatory can be properly attached to the wall.

NOTE: The following assembly instructions *must* be carried out before installation of the Tellier Table.

TABLE CONSTRUCTION

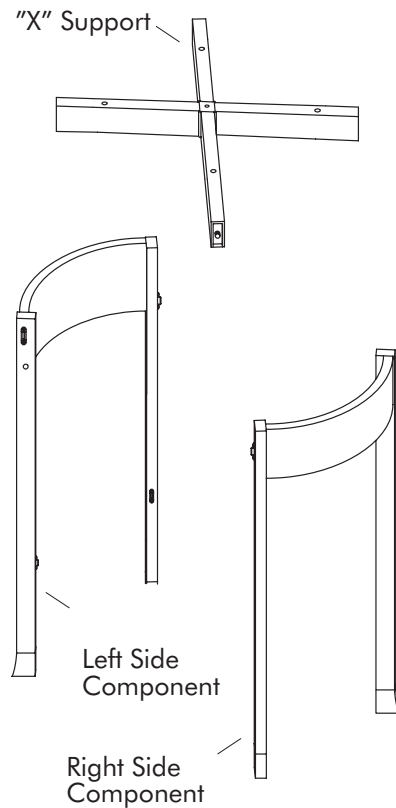
Unpack components from the shipping carton and inspect all parts for damage.

Make sure all of the parts are on hand before assembly begins.

Locate the wood and glass assemblies that look like an "X", (the "X" support). Separate the wood support from the glass shelf. Reserve the glass shelf and button screw for later use.

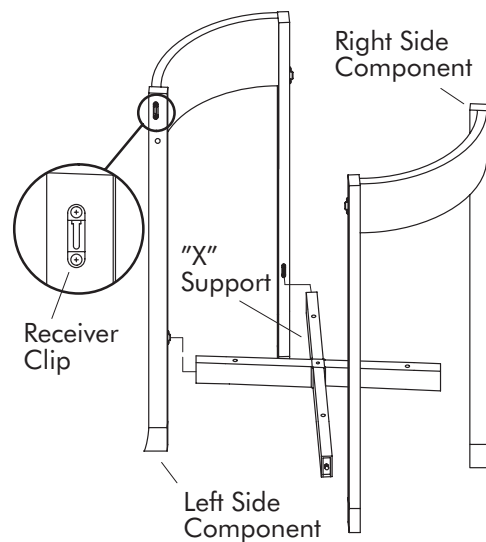
Locate the left and right side components.

Hold up the left side component.



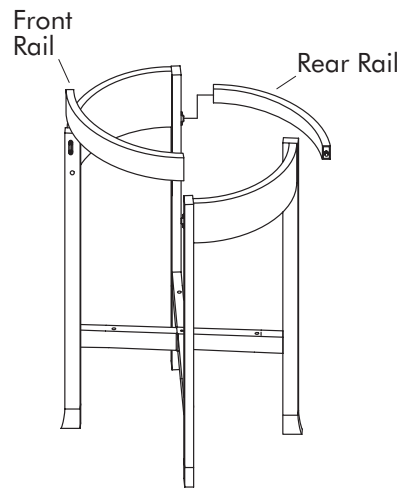
With the four bumpers of the "X" support facing upward, align the two pins on the end of the "X" support with the receiver clips on the legs of the left side component.

Insert the two pins and press down firmly. Repeat steps for the right side component.



Slide the front rail (wide) over the receiver clips located at the top of the assembly.

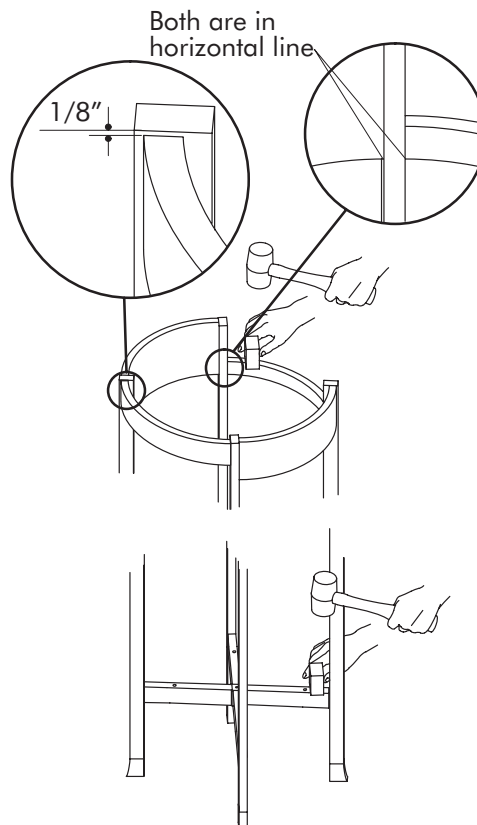
Slide the rear rail (narrow) over the receiver clips located near the top of the assembly.



Use a rubber mallet and a wooden block wrapped in cloth to alternately tap the rail components and "X" support connections into place.

When properly installed, the Front Rail should be $1/8$ " below the top of the assembly leg.

The Rear Rail should be flush with the bottom of the assembly apron as shown.



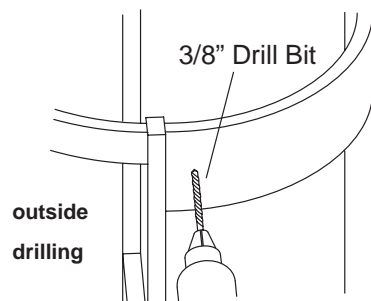
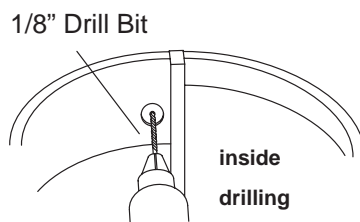
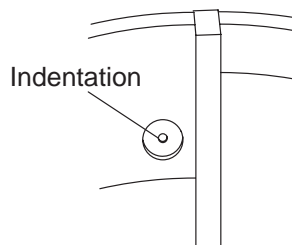
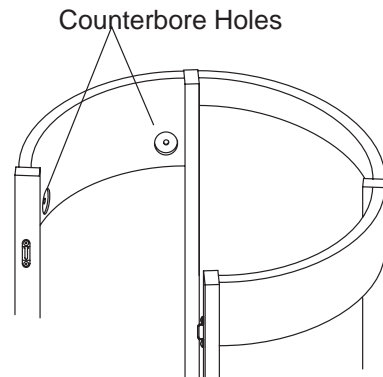
DRILLING PREPARATION FOR TOWEL BARS. (OPTIONAL)

Locate the counter bore holes on the inside of the wood stand. Notice the indentation located in the center of the counterbore hole.

From the inside of the wood stand, drill a 1/8" hole through the center of the counterbore hole. Remove 1/8" drill bit from the drill and replace with the 3/8" drill bit.

From the outside of the wood stand, drill a hole through the existing pilot hole.

Do this for each hole where a towel bar is to be installed.



TOWEL BAR INSTALLATION

Unscrew the hex nuts and washers from both towel bars.

Insert one end of the towel bar into the hole on the side of the wood stand.

Put a washer and hex nut onto the end of the towel bar.

Carefully flex the towel bar to insert the other end into the next hole.

Put a washer and hex nut on that end of the bar.

Using a socket wrench, tighten both hex nuts.

Repeat steps for installation of the other towel bar.

NOTE: Make sure the plumbing shut-off valves are located between the rear legs of the table stand. Position the plumbing as high as possible not to interfere with the round glass shelf of the table stand or P-trap.

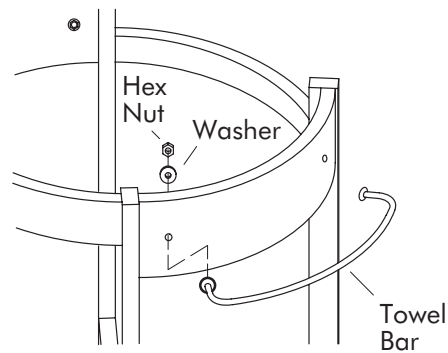


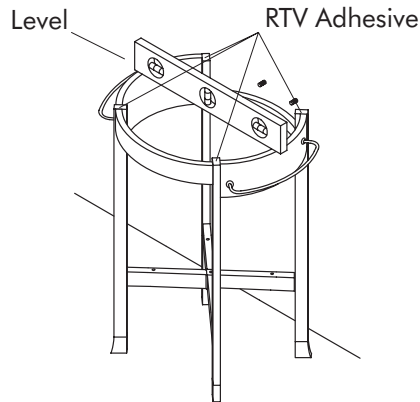
TABLE POSITIONING

Position the Tellieur Table in the spot where it will be mounted to the wall.

NOTE: Before proceeding make sure that the lavatory mounting is properly constructed and in place.

Place a level across the top of the table stand. Rotate levelers until the table is horizontal.

Place a small amount of RTV adhesive on the top of the four legs that protrude 1/8" above the curved wooden aprons.



LAVATORY INSTALLATION

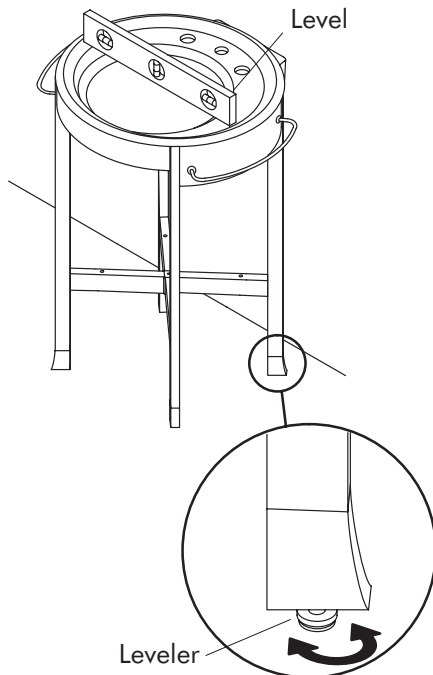
Set the lavatory into the wooden frame; resting on the four legs. Position the lavatory flange onto the threaded rods protruding from the wall.

Rotate two 3/8" nuts onto the threaded rods. They should remain loose at this time.

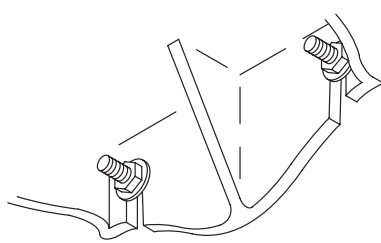
Place a level across the top of the lavatory.

Rotate the levelers until the level indicates that the table stand is horizontal.

Adjust the front or back legs to level the table stand as needed.



Tighten the two 3/8" screws to secure the lavatory to the wall.
Make all the plumbing connections (water and P-trap)

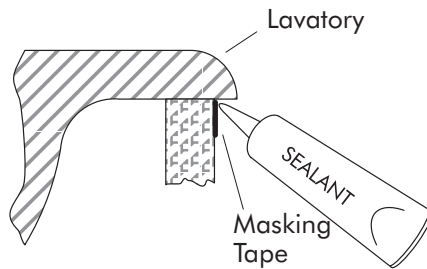
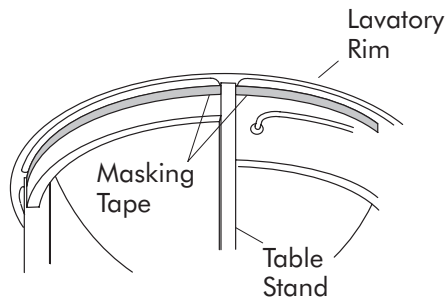


ADHESIVE APPLICATION

Apply masking tape 1/16" below the upper apron of the wood stand all the way around the table stand.

Apply RTV adhesive around the lavatory above the piece of tape applied in the previous step.

NOTE: Remove masking tape as soon as possible to prevent permanent sticking.

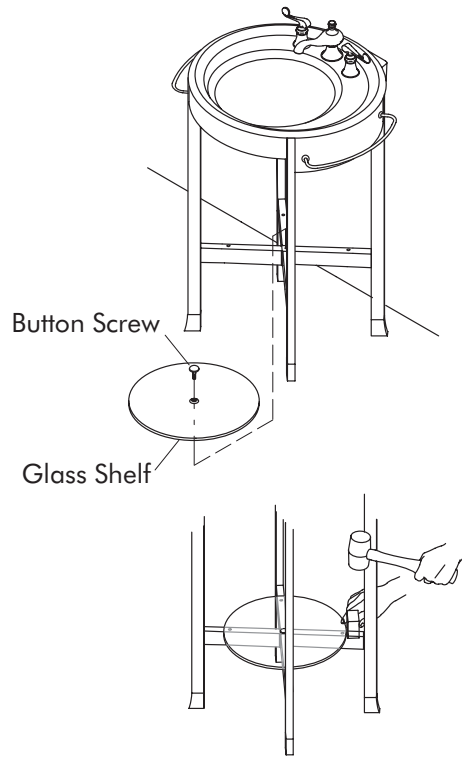


Smooth the adhesive joint with a round object.

Remove the tape from the table stand. When the faucets and plumbing are installed, attach the glass shelf using the button screw.

If the shelf is unsteady, tap the rail components of the "X" support as shown below.

Let the application stand for 24 hours before using.



CALL US FOR HELP

Questions? Problems? First review the installation instructions to ensure correct installation. For additional assistance, call our Customer Service Department for direct help. You may also contact us at our web site listed below.

In the U.S.A., call 1-800-4-KOHLER
In Mexico, call 001-877-680-1310
In Canada, call 1-800-964-5590

THE BOLD LOOK
OF **KOHLER**®

www.kohlerco.com