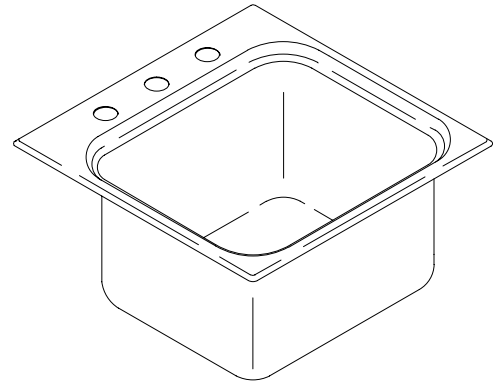


FEATURES

- 19" x 19"
- 18 gauge stainless steel
- Self-rimming
- Single compartment
- 3-hole (K-3260-3), or single-hole (K-3260-1) faucet punching
- Includes installation hardware



CODES/STANDARDS APPLICABLE

Specified model meets or exceeds the following:

- IAPMO/UPC
- State of Massachusetts

COLORS/FINISHES

- NA None Applicable

Accessories:

- CP Polished Chrome
- Other Refer to Price Book for additional finishes

SPECIFIED MODEL:

Model	Description	Colors/Finishes	
K-3260-3	3-hole sink	<input type="checkbox"/> NA	
K-3260-1	Single-hole sink	<input type="checkbox"/> NA	
Optional Accessories			
K-8801	Duostrainer sink strainer	<input type="checkbox"/> CP	<input type="checkbox"/> Other_____

PRODUCT SPECIFICATION:

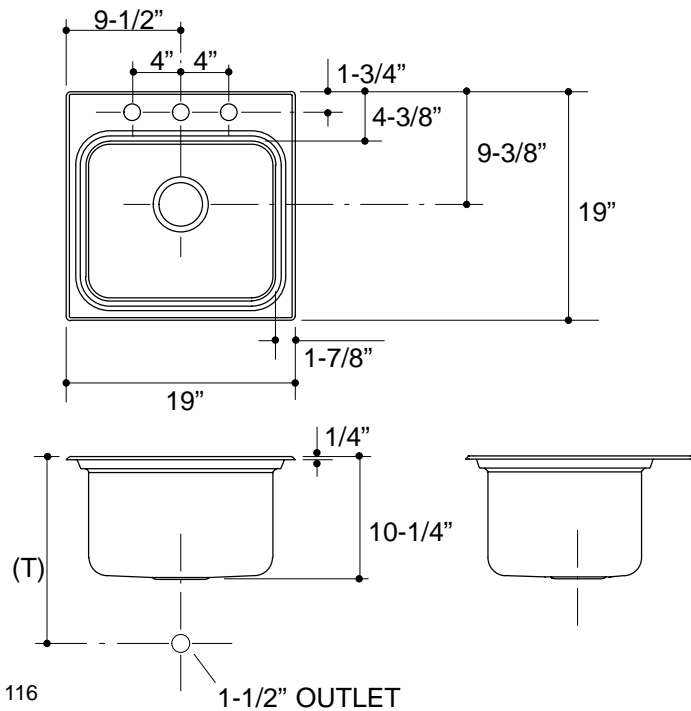
The self-rimming utility sink shall be 19" in length, and 19" in width. Sink shall be made of 18 gauge stainless steel. Sink shall be single compartment. Sink shall be 3-hole (K-3260-3), or single-hole (K-3260-1) faucet punched. Sink shall include installation hardware. Sink shall be Kohler Model K-3260-_____-_____.

BALLAD

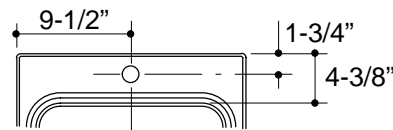
PRODUCT INFORMATION

Fixture*:		basin area	water depth
Sink		15" x 13"	10"
Outlet	3-5/8" D.		
Faucet holes	1-7/16" D.		
* Approximate measurements for comparison only.			
Included Components:			
Fastener pack		90208	

K-3260-3



K-3260-1



Roughing-In Notes

Fixture dimensions are nominal and conform to tolerances in ASME/ANSI Standard A112.19.3M.

(T) Drain typically 15-1/2".

Cutout 18-1/2" x 18-1/2" with 1/2" radius corners.

PRODUCT DIAGRAM