

UNDERCOUNTER SINK K-3156

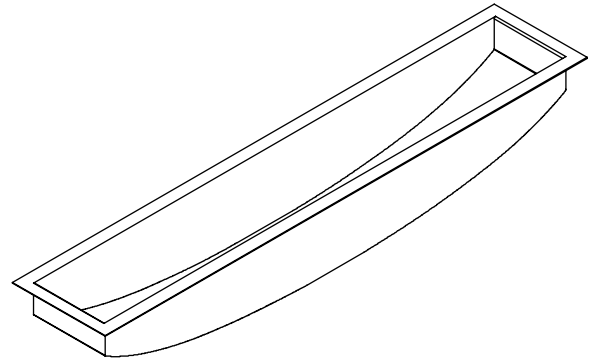
Features

- 16 gauge stainless steel
- Undercounter
- Single compartment
- Includes installation hardware
- Includes wire basket and rack
- 41" (104.1 cm) x 6-1/4" (15.9 cm)

Codes/Standards Applicable

Specified model meets or exceeds the following:

- ASME A112.19.3
- IAPMO/UPC
- CSA B45



Colors/Finishes

- NA: None applicable

Accessories:

- CP: Polished Chrome
- ST: Stainless Steel
- NA: None applicable
- Other: Refer to Price Book for additional colors/finishes

Specified Model

Model	Description	Colors/Finishes	
K-3156 (Ships as K-3188)	Undercounter sink	<input type="checkbox"/> NA	
Included Accessories			
K-3127	Wire basket	<input type="checkbox"/> ST	
K-3137	25" (63.5 cm) wire rack	<input type="checkbox"/> ST	
Optional Accessories			
K-2989	Countertop cutting board	<input type="checkbox"/> NA	
K-3136	Additional 15" (38.1 cm) wire rack	<input type="checkbox"/> ST	
K-8801	Duostrainer® sink strainer	<input type="checkbox"/> CP	<input type="checkbox"/> Other_____

Product Specification

The undercounter sink shall be 41" (104.1 cm) in length and 6-1/4" (15.9 cm) in width. Sink shall be made of 16 gauge stainless steel. Sink shall be single compartment. Sink shall include installation hardware. Sink shall include wire basket and rack. Sink shall be Kohler Model K-3156.

UNDERTONE™

Technical Information

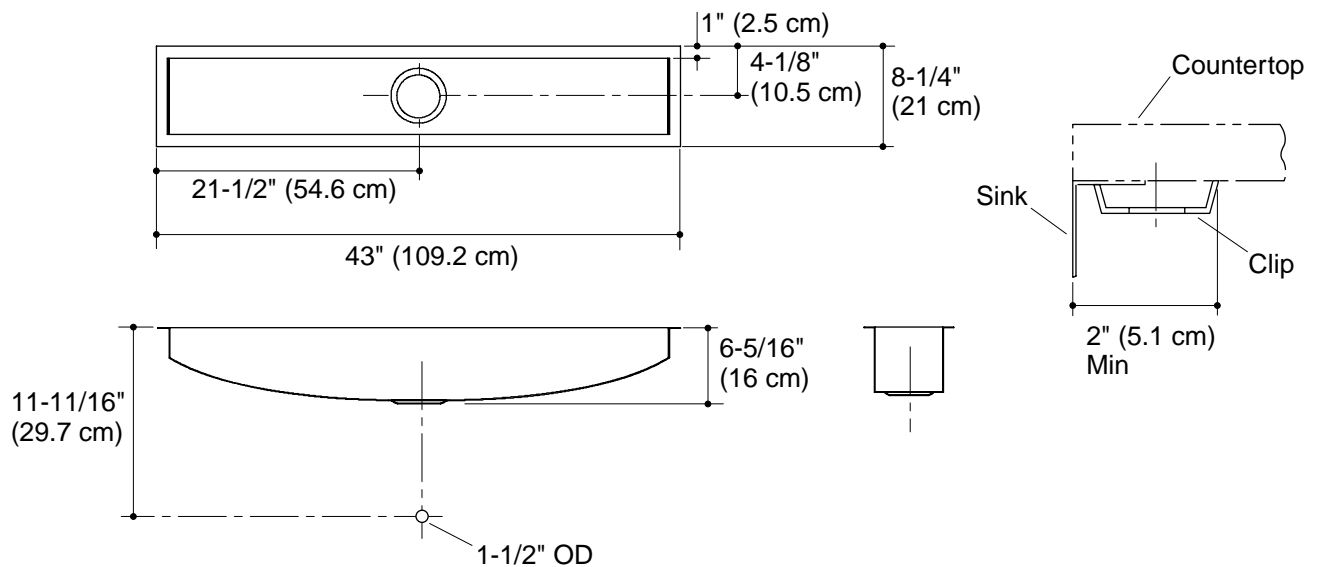
Fixture*:	
Basin area	41" (104.1 cm) x 6-1/4" (15.9 cm)
Water depth	5-15/16" (15.1 cm)
Drain hole	3-5/8" (9.2 cm) D.
*Approximate measurements for comparison only.	

Included components:	
Hardware kit	91915
Cut-out template	1022024-7

Installation Notes

Install this product according to the installation guide.

Allow a minimum of 2" (5.1 cm) clearance around the sink rim for clip attachment.



Product Diagram