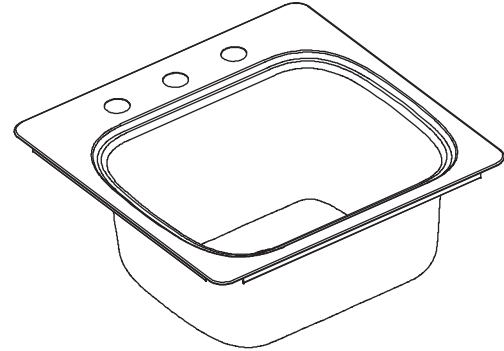


Features

- 18-gauge stainless steel
- Top-mount
- Single bowl
- Includes installation hardware
- 3-hole (-3), 2-hole (-2), or single-hole (-1)
- 20" (508 mm) x 20" (508 mm)

TOP-MOUNT BAR SINK K-3382



Codes/Standards Applicable

Specified model meets or exceeds the following:

- ASME A112.19.3/CSA B45.4

Colors/Finishes

- NA: None applicable

Accessories

- CP: Polished Chrome
- ST: Stainless Steel
- NA: None applicable
- Other: Refer to Price Book for additional colors/finishes

Specified Model

Model	Description	Colors/Finishes
K-3382-3	Top-mount bar sink – 3-hole	<input type="checkbox"/> NA
K-3382-2	Top-mount bar sink – 2-hole	<input type="checkbox"/> NA
K-3382-1	Top-mount bar sink – single-hole	<input type="checkbox"/> NA

Optional Accessories		
K-3128	Hardwood cutting board	<input type="checkbox"/> NA
K-3134	Stainless steel bottom bowl rack	<input type="checkbox"/> ST
K-8801	Duostrainer® sink strainer	<input type="checkbox"/> CP <input type="checkbox"/> Other _____
K-8813	Stainless steel sink strainer with tailpiece	<input type="checkbox"/> CP
K-8814	Stainless steel sink strainer, less tailpiece	<input type="checkbox"/> CP
1177161	Hardware kit for countertop with 2-1/2" (64 mm) thickness or less	<input type="checkbox"/> NA

Product Specification

The top-mount bar sink shall be made of 18-gauge stainless steel. Sink shall be 20" (508 mm) in length and 20" (508 mm) in width. Sink shall feature single bowl. Sink shall be 3-hole (-3), 2-hole (-2), or single-hole (-1). Sink shall include installation hardware. Sink shall be Kohler Model K-3382-_____-NA.

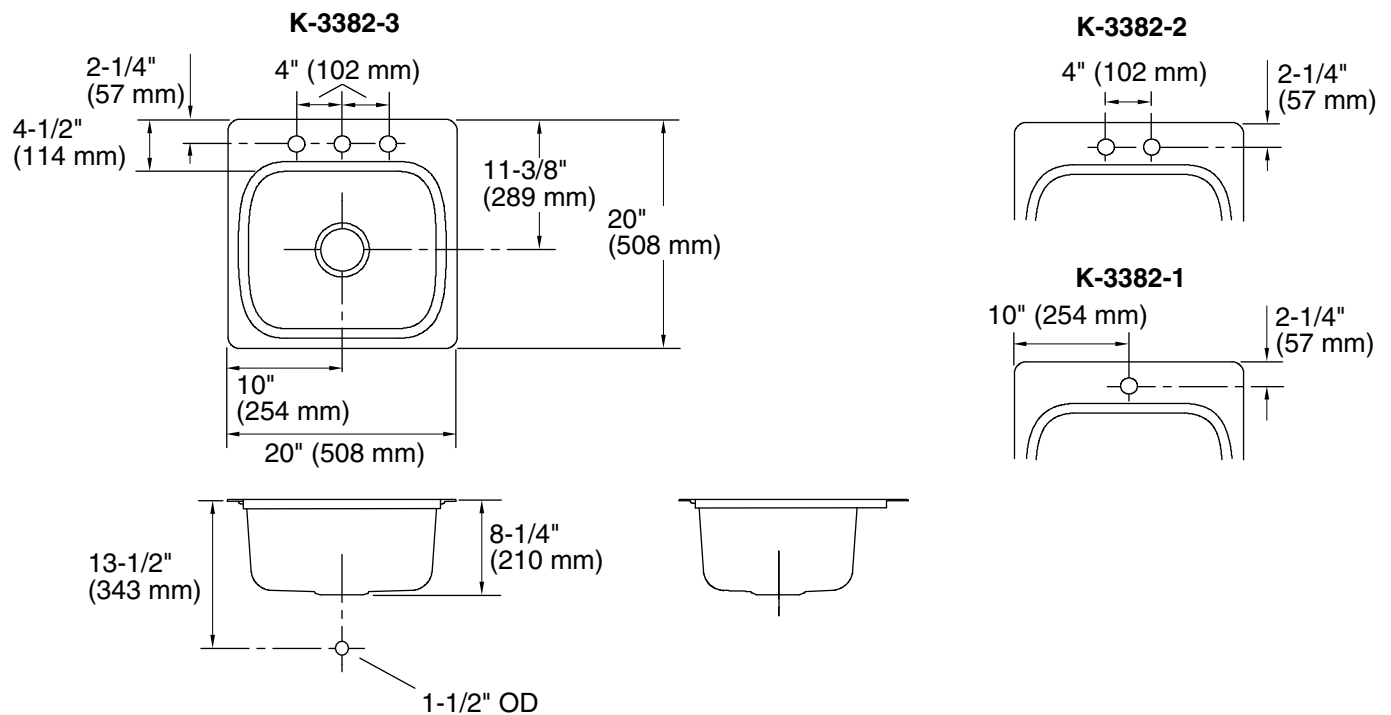
Technical Information

Fixture*:	
Bowl area	16-1/2" (419 mm) x 13-3/4" (349 mm)
Water depth	8" (203 mm)
Drain hole	Ø 3-5/8" (92 mm)
Faucet holes	Ø 1-7/16" (37 mm)
*Approximate measurements for comparison only.	
Included components:	
Hardware kit – top-mount	1177160

Installation Notes

Install this product according to the installation guide.

Cut-out is 19-1/2" (495 mm) x 19-1/2" (495 mm) with 3/4" (19 mm) radius corners.



Product Diagram