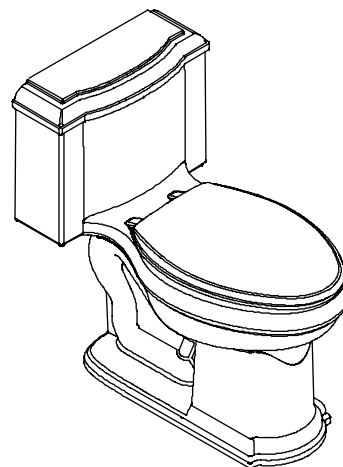


### COMFORT HEIGHT™ TOILET K-3488

ADA

#### Features

- Vitreous china
- Elongated bowl
- 2" (5.1 cm) glazed trapway
- Includes seat and cover
- Ingenium® flushing system
- 1.6 gpf (6 lpf)
- 12" (30.5 cm) rough-in
- Less supply
- 16-1/4" (41.3 cm) high bowl is ADA compliant when an open front seat is installed
- One-piece, compact
- 27-3/4" (70.5 cm) x 17-1/8" (43.5 cm) x 28-1/4" (71.8 cm)



#### Codes/Standards Applicable

Specified model meets or exceeds the following:

- ASME A112.19.2
- Energy Policy Act of 1992
- CSA International
- CSA B45.0
- CSA B45.1
- ADA

#### Colors/Finishes

- 0: White
- Other: Refer to Price Book for additional colors/finishes

#### Accessories:

- 0: White
- CP: Polished Chrome
- PB: Polished Brass
- Other: Refer to Price Book for additional colors/finishes

#### Specified Model

Model	Description	Colors/Finishes		
K-3488	Elongated bowl toilet with tank – right-hand polished chrome trip lever	<input type="checkbox"/> 0	<input type="checkbox"/> Other_____	
<b>Recommended Accessories</b>				
K-7637	3/8" NPT angle supply with four-arm handle stop and annealed vertical tube	<input type="checkbox"/> CP	<input type="checkbox"/> PB	<input type="checkbox"/> Other_____
<b>Optional Accessories</b>				
K-4650	Lustra™ elongated open front toilet seat – for ADA compliant installation	<input type="checkbox"/> 0		<input type="checkbox"/> Other_____
K-9462	Trip lever, non-CP		<input type="checkbox"/> PB	<input type="checkbox"/> Other_____

#### Product Specification:

The one-piece, compact toilet with elongated bowl shall be 27-3/4" (70.5 cm) x 17-1/8" (43.5 cm) x 28-1/4" (71.8 cm). Toilet shall be 12" (30.5 cm) rough-in. Toilet shall be made of vitreous china. Toilet shall be 1.6 gpf (6 lpf) with Ingenium flushing system. Toilet shall have 2" (5.1 cm) glazed trapway. Toilet shall include a seat, and cover. Toilet shall feature a 16-1/8" (41 cm) high bowl which is ADA compliant when an open front seat is installed. Toilet shall be less supply. Toilet shall be Kohler Model K-3488-\_\_\_\_\_.

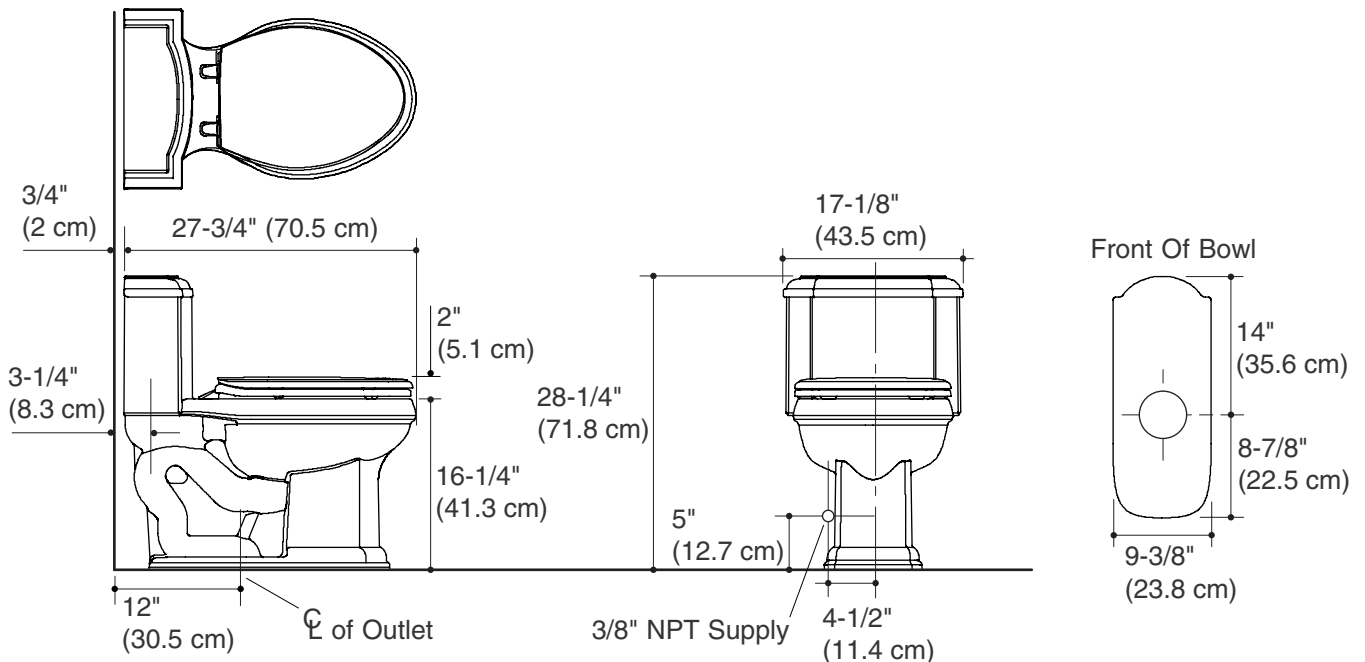
# DEVONSHIRE®

## Technical Information

Fixture:	
Configuration	one-piece, compact elongated
Water per flush	1.6 gal (6 L)
Passageway	2" (5.1 cm)
Water area	10-3/4" (27.3 cm) x 9" (22.9 cm)
Water depth from rim	6" (15.2 cm)
Seat post hole centers	5-1/2" (14 cm)
Included components:	
Closed front seat and cover	K-4733
Tank cover	1021921
Trip lever	K-9462
Bolt cap accessory pack	52048
Tank accessory pack	52265

## Installation Notes

Install this product according to the installation guide.



## Product Diagram