

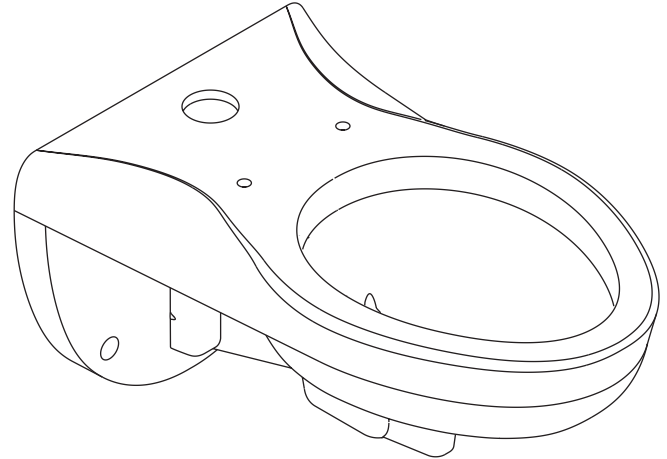
Features

- Vitreous china
- Elongated bowl
- Siphon jet
- Wall-mount
- With bedpan lugs (-L)
- 1-1/2" top spud
- 1.28 gpf (4.8 lpf)
- 10-1/2" (26.7 cm) x 9" (22.9 cm) water area
- 26-1/2" (67.3 cm) x 16-1/2" (41.9 cm) x 13-1/4" (33.7 cm)

BOWL K-4325

ADA

TAS



Codes/Standards Applicable

Specified model meets or exceeds the following:

- ADA
- TAS
- ICC/ANSI A117.1
- ASME A112.19.2/CSA B45.1
- Energy Policy Act of 1992

Colors/Finishes

- 0: White
- Other: Refer to Price Book for additional colors/finishes

Accessories

- 0: White
- CP: Polished Chrome
- Other: Refer to Price Book for additional colors/finishes

Specified Model

Model	Description	Colors/Finishes	
K-4325	Elongated bowl	<input type="checkbox"/> 0	<input type="checkbox"/> Other_____
K-4325-L	Elongated bowl with bedpan lugs	<input type="checkbox"/> 0	<input type="checkbox"/> Other_____

Recommended Accessories			
K-10956	1.28 gpf (4.8 lpf) Touchless™ DC toilet flushometer	<input type="checkbox"/> CP	
K-4731-C	Stronghold® open-front elongated seat	<input type="checkbox"/> 0	<input type="checkbox"/> Other_____
K-4731-SC	Stronghold® open-front elongated seat with integrated handle	<input type="checkbox"/> 0	<input type="checkbox"/> Other_____
K-4731-GC	Stronghold® Quiet-Close™ open-front elongated seat	<input type="checkbox"/> 0	<input type="checkbox"/> Other_____

Product Specification

The elongated bowl shall be made of vitreous china. Bowl shall be 26-1/2" (67.3 cm) in length, 16-1/2" (41.9 cm) in width, and 13-1/4" (33.7 cm) in height. The bowl shall be wall-mount with a 1-1/2" top spud. Bowl shall have siphon jet. Bowl shall have 20% water savings over standard 1.6 (6 lpf) models. Bowl shall have bedpan lugs (-L). Bowl shall be 1.28 gpf (4.8 lpf). Bowl shall have 10-1/2" (26.7 cm) x 9" (22.9 cm) water area. Bowl shall be Kohler Model K-4325-_____.

Technical Information

Fixture:	
Configuration	top spud, elongated
Water per flush	1.28 gal (4.85 L)*
Spud size	1-1/2"
Passageway	2-1/8" (5.4 cm)
Water area	10-1/2" (26.7 cm) x 9" (22.9 cm)
Water depth from rim	5-1/4" (13.3 cm)
Seat post hole centers	5-1/2" (14 cm)
* Designed to flush with 1.28 gal (4.8 L) of water when installed with a 1.28 gal (4.8 L) flush valve.	
Included components:	
Spud	18357
Flush valve requirements: Refer to manufacturer and local codes.	

Installation Notes

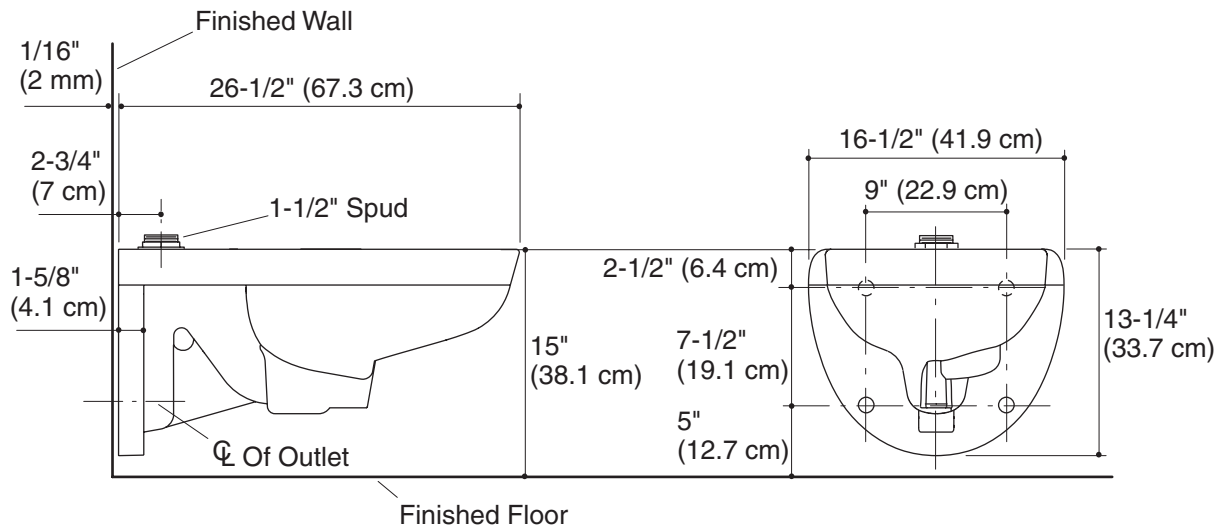
Install this product according to the installation guide.

Will comply with the American Disabilities Act (ADA) when installed per the requirements of the Accessibility Guidelines, Section 604 Water Closets, of the Act. The Model Plumbing Codes require the installation of elongated open-front toilet seats in public bathrooms.

For TAS compliance the required seating height with the toilet seat installed is:

Adults – 17" (43.2 cm) to 19" (48.3 cm)

Children (Elementary Grade Levels 6 through 8 or 9) – 15" (38.1 cm) to 17" (43.2 cm)



Product Diagram