

Features

- Vitreous china.
- Elongated bowl.
- Siphon jet.
- Wall-mount.
- 1-1/2" top spud.
- 1.28 gpf (4.8 lpf) or 1.6 gpf (6 lpf) depending on flushometer specified.
- 10-1/2" (267 mm) x 9" (229 mm) water area.
- 26-1/2" (673 mm) x 16-1/2" (419 mm) x 13-1/4" (337 mm).
- Will replace K-4330 and K-4330-L bowls.

Recommended Accessories

- K- 4731-C Commercial Heavy-duty Toilet Seat
- K- 4731-SC Commercial Heavy-duty Toilet Seat
- K- 4731-GC Commercial Heavy-duty Toilet Seat
- K- 10673 WAVE DC 0.5 GPF Urinal Flushometer
- K- 10956 Tripoint™ DC 1.28 GPF WC Flushometer
- K- 13517 Manual 1.28 GPF WC Flushometer
- K- 10674 Wave DC 1.6 GPF WC Flushometer
- K- 10957 Tripoint™ DC 1.6 GPF WC Flushometer
- K- 13516 Manual 1.6 GPF WC Flushometer

Components

Additional included component/s: Spud.



ADA CSA B651

Codes/Standards





ASME A112.19.2/CSA B45.1
DOE - Energy Policy Act 1992
ADA
ICC/ANSI A117.1
CSA B651

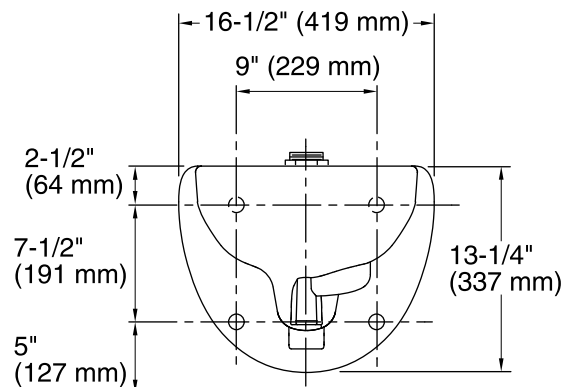
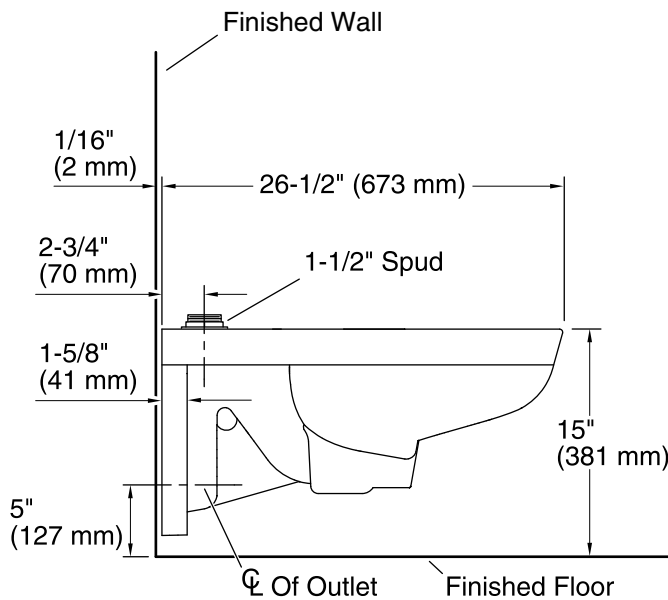
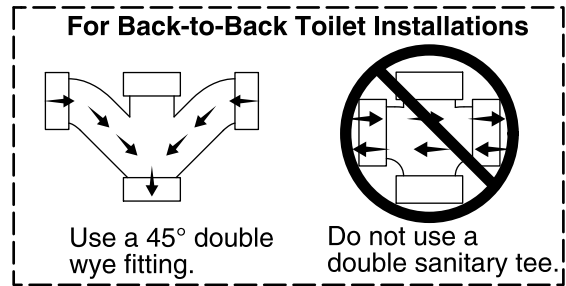
KOHLER® One-Year Limited Warranty

See website for detailed warranty information.

Available Color/Finishes

Color tiles intended for reference only.

Color	Code	Description
	0	White
	96	Biscuit
	47	Almond
	7	Black Black™



Technical Information

All product dimensions are nominal.

Bowl shape:	Elongated front
Spud size:	1-1/2", Inlet, Top
Trap passageway:	2-1/8" (54 mm)
Water surface size:	10-1/2" x 9" (267 mm x 229 mm)
Rim to water surface:	5-1/4" (133 mm)
Seat-mounting holes:	5-1/2" (140 mm)

Fixture Supply Requirements

Min static pressure:	35 psi (241.3 kPa)
Max static pressure:	80 psi (551.6 kPa)
Min flow rate:	25 gpm (94.6 lpm)

Notes

Install this product according to the installation guide.

Refer to manufacturer's instructions and local codes for flushometer requirements.

For back-to-back toilet installations: Use only a 45° double wye fitting.

ADA, CSA B651 compliant when installed to the specific requirements of these regulations.

The Model Plumbing Codes require the installation of elongated open-front toilet seats on public bathrooms.