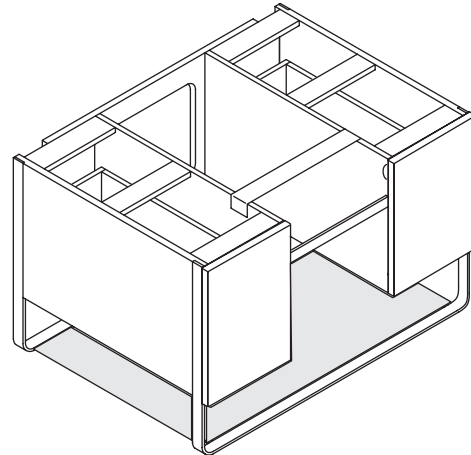


#### Features

- Engineered wenge and bird's-eye maple veneers
- Durable catalyzed polyurethane finish
- Moisture resistant ultra low emission E0 cabinet construction
- Two full-extension slow-close drawers with removable cosmetic trays
- Wall-mount installation
- Includes wall-mount brackets
- 30" (76.2 cm) x 21-3/8" (54.3 cm) x 19" (48.3 cm)



#### Codes/Standards Applicable

Specified model meets or exceeds the following:

- None applicable

#### Colors/Finishes

- F59: Ostrich
- F60: Cape

#### Accessories

- 0: White
- CP: Polished Chrome
- Other: Refer to Price Book for additional colors/finishes

#### Specified Model

Model	Description	Colors/Finishes	
K-2517	Vanity – wall-mount	<input type="checkbox"/> F59	<input type="checkbox"/> F60
<b>Recommended Accessories</b>			
K-2955	One-piece surface with integrated lavatory	<input type="checkbox"/> 0	<input type="checkbox"/> Other ____
K-2963	Mirrored cabinet	<input type="checkbox"/> CP	
<b>Optional Accessory</b>			
1059560	Touch-up marker	<input type="checkbox"/> F59	<input type="checkbox"/> F60

#### Product Specification

The vanity shall be made of engineered wenge and bird's-eye maple veneers with a durable catalyzed polyurethane finish. Product shall be 30" (76.2 cm) in width, 21-3/8" (54.3 cm) in depth, and 19" (48.3 cm) in height. Product shall feature moisture resistant ultra low emission E0 cabinet construction and two full-extension slow-close drawers with removable cosmetic trays. Product shall be for wall-mount installation. Product shall include wall-mount brackets. Vanity shall be Kohler Model K-2517-\_\_\_\_\_.

# TRAVERSE™

## Technical Information

Included components:	
Bracket, left	1089189
Bracket, right	1082755

## Installation Notes



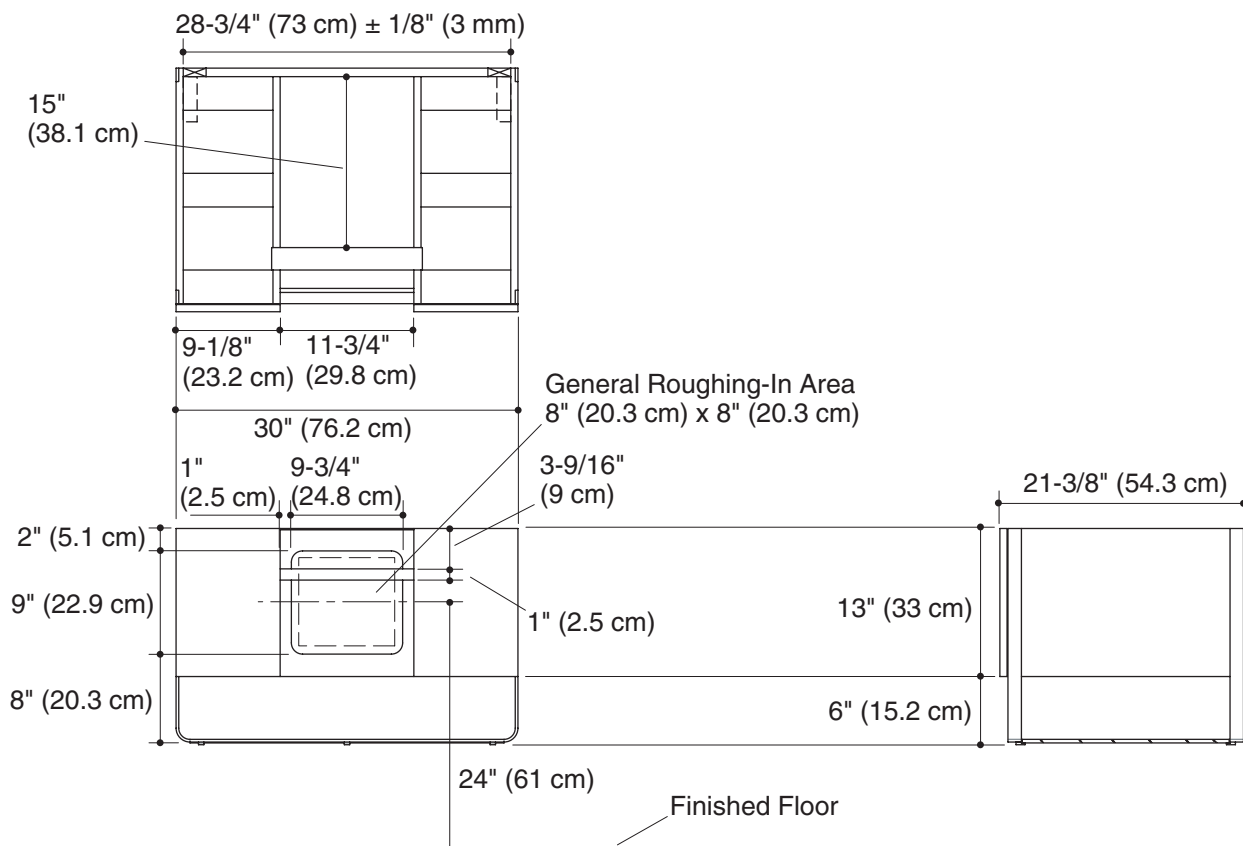
**WARNING: Risk of property damage.** Do not modify the vanity in any way. Doing so will compromise the structural stability of the vanity.

**NOTICE: If a lavatory/vessel will be installed:** The plumbing must be roughed into the plumbing cutout area of the vanity. Refer to the lavatory/vessel roughing-in and the vanity roughing-in for proper placement. The water supply and drain lines must be installed before installing the vanity.

**NOTICE:** Select lag bolts according to your finished wall thickness and rated with a minimum of 300 lbs (136.08 kg) load bearing.

Install this product according to the installation guide.

Refer to the installation guide for the recommended mounting height.



**Product Diagram**