

Features

- 18" x 16" (45.7 cm x 40.6 cm)
- KOHLER cast iron
- Without overflow
- Above-the-counter or self-rimming
- ADA compliant (self-rimming only)
- Iron Bell™ (K-2804), Vessels™ Iron Bell™ (K-2804-P5), or Iron Etchings™ Design on Vessels Iron Bell (K-14225) lavatory
- Optional wall-mount bracket (K-9655)

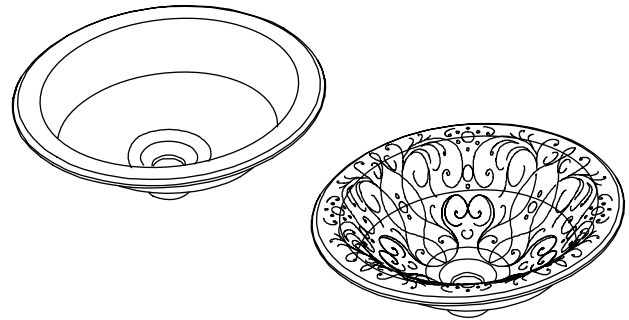
LAVATORY
K-2804
 ALSO K-14225

ADA

Codes/Standards Applicable

Specified model meets or exceeds the following:

- ASME A112.19.1
- IAPMO/UPC
- CSA B45
- Listed in State of Massachusetts



Colors/Finishes

- 0: White
- Other: Refer to Price Book for additional colors/finishes

Accessories:

- CP: Polished Chrome
- Other: Refer to Price Book for additional colors/finishes
- NA: None applicable

Specified Model

Model	Description	Colors/Finishes	
K-2804	Iron Bell	<input type="checkbox"/> 0 White	<input type="checkbox"/> Other_____
K-2804-P5	Vessels Iron Bell	<input type="checkbox"/> 0 White	<input type="checkbox"/> Other_____
K-14225	Iron Etchings Design on Vessels Iron Bell	<input type="checkbox"/> 0 White	
Recommended Accessories			
K-9018	P-trap	<input type="checkbox"/> CP	<input type="checkbox"/> Other_____
Optional Accessories			
K-9655	Vessels wall-mount bracket for use with K-2804-P5 or K-14225	<input type="checkbox"/> NA	

Product Specification

The Iron Bell lavatory shall be 18" x 16" (45.7 cm x 40.6 cm). Lavatory shall be made of cast iron. Lavatory shall be either Iron Bell (K-2804), Vessels Iron Bell (K-2804-P5), or Iron Etchings Design on Vessels Iron Bell (K-14225). Lavatory shall be without overflow. Lavatory shall be both above-the-counter or self-rimming. Lavatory shall have optional wall-mount bracket (K-9655). Lavatory shall be ADA compliant, self-rimming only. Kohler Model K-____-____-_____.

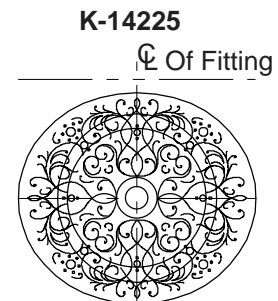
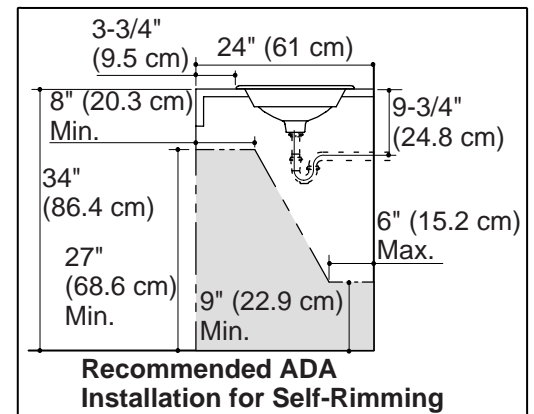
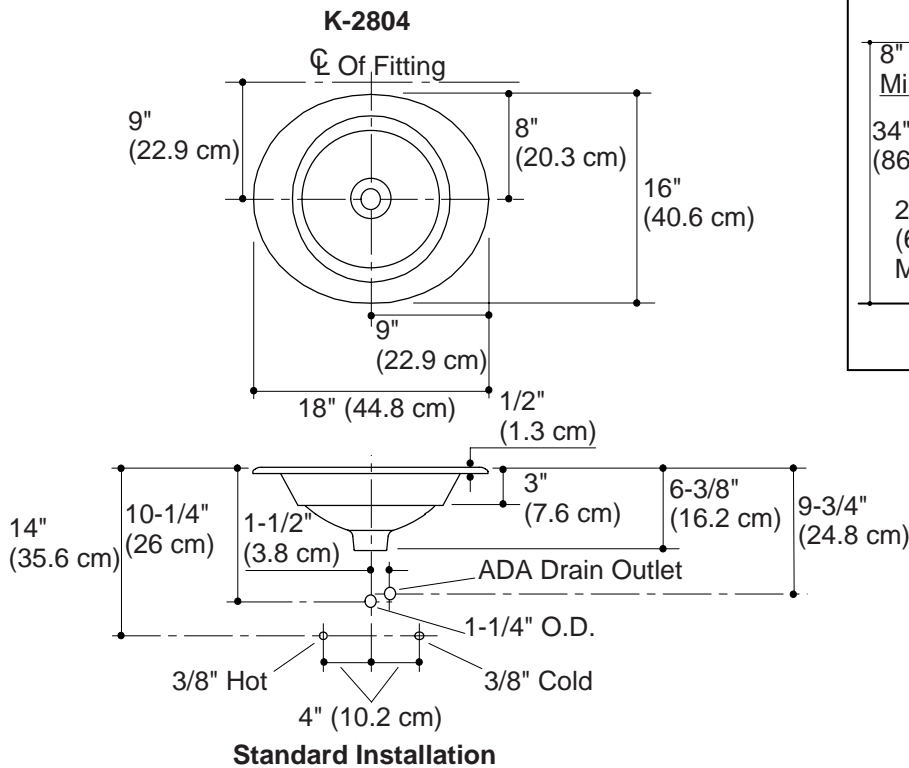
IRON BELL™

Technical Information

ADA compliant, self-rimming only		
Fixture:*	basin area	water depth
Lavatory	13" x 12" (33 cm x 30.5 cm)	4-3/8" (11.1 cm)
Drain hole	1-3/4" (4.4 cm) D.	
* Approximate measurements for comparison only.		
Included Components:		
Cut-out template	115887-7	

Installation Notes

Install this product according to the installation guide.
Product does not have an overflow.



Product Diagram