

Product Information

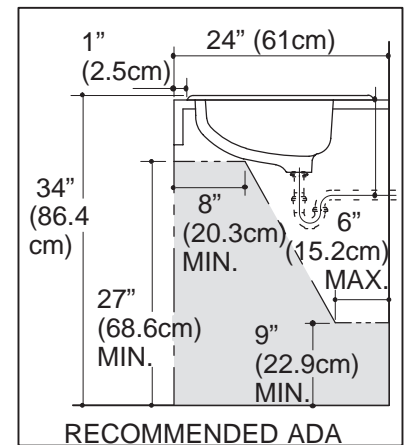
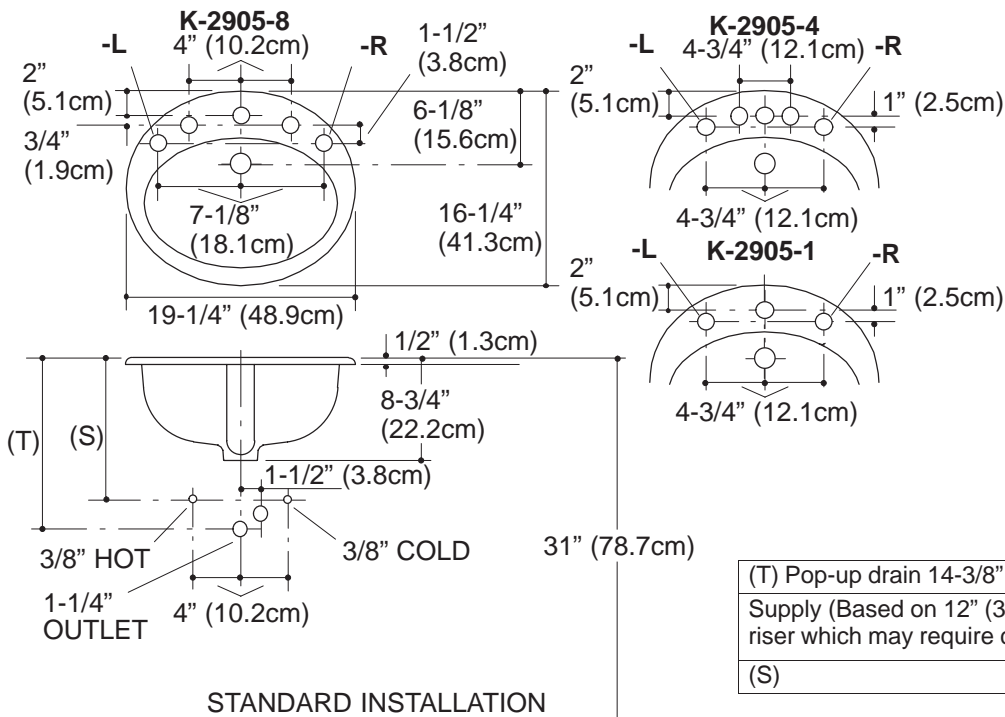
ADA compliant.			
Fixture*:		basin area	water depth
Lavatory		16" (40.6cm) x 11" (27.9cm)	5" (12.7cm)
Drain hole	1-11/16" D. (4.3cm)		
* Approximate measurements for comparison only.			
Holes	K-2905-8	K-2905-4	K-2905-1
Spout	1-1/8" D. (2.9cm)	1-1/8" D. (2.9cm)	1-3/8" D. (3.5cm)
Faucet	1-3/8" D. (3.5cm)	1-3/16" D. (3cm)	
Soap dispenser			1-1/4" (3.2cm)
Included Components:			
Overflow ferrule			84896
Cutout template			1002973-7

Installation Notes

Install this product according to the installation guide.

Fixture dimensions are nominal and conform to tolerances in ASME Standard A112.19.1M.

NOTICE: Countertop manufacturer or cutter **must** use the cut-out template provided with the product, or a current one provided by Kohler Co. (call 1-800-43-FOCUS). Kohler Co. is not responsible for cut-out errors when the incorrect cut-out template is used.



(T) Pop-up drain 14-3/8" (36.5cm), grid drain 13-1/2" (34.3cm).		
Supply (Based on 12" (30.5cm) riser which may require cutting).	K-2905-4	K-2905-8
(S)	10" (25.4cm)	14" (35.6cm)