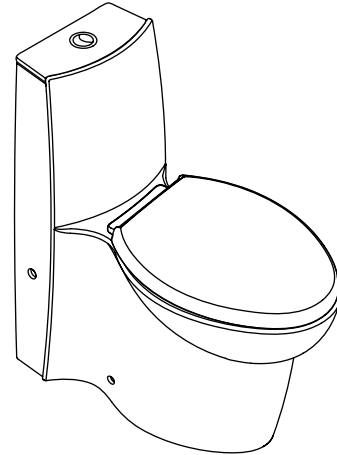


Features

- Vitreous china
- Required minimum 12" (30.5 cm) rough-in
- One-piece
- Elongated bowl
- Dual flush flushing system
- High efficiency 1.6 gpf (6 lpf) or 0.8 gpf (3 lpf)
- 2-1/8" (5.4 cm) fully glazed trapway
- Skirted bowl design
- Includes polished chrome top-mount flush actuator
- Includes Saile seat and cover [K-4748]
- Less supply
- 28-1/2" (72.4 cm) x 14-1/4" (36.2 cm) x 28-3/4" (73 cm)



Codes/Standards Applicable

Specified model meets or exceeds the following:

- ASME A112.19.2
- ASME A112.19.14
- IAPMO/cUPC
- CSA B45
- Energy Policy Act of 1992

Colors/Finishes

- 0: White
- Other: Refer to Price Book for additional colors/finishes

Accessories

- CP: Polished Chrome
- G: Brushed Chrome
- Other: Refer to Price Book for additional colors/finishes

Specified Model

Model	Description	Colors/Finishes	
K-3564	One-piece toilet – elongated bowl	<input type="checkbox"/> 0	<input type="checkbox"/> Other_____
Recommended Accessories			
K-7637	Angle supply with stop – 3/8" NPT connection	<input type="checkbox"/> CP	<input type="checkbox"/> Other_____
K-9384	Dual flush actuator	<input type="checkbox"/> G	

Product Specification

The one-piece toilet with elongated bowl shall be made of vitreous china. Toilet shall be 28-1/2" (72.4 cm) in length, 14-1/4" (36.2 cm) in width, and 28-3/4" (73 cm) in height. Toilet shall feature a required minimum 12" (30.5 cm) rough-in and 2-1/8" (5.4 cm) fully glazed trapway. Toilet shall feature a dual flush flushing system. Toilet shall be high efficiency with 1.6 gpf (6 lpf) or 0.8 gpf (3 lpf). Toilet shall feature a skirted bowl design. Toilet shall include a polished chrome top-mount flush actuator. Toilet shall include a Saile seat and cover [K-4748]. Toilet shall be less supply. Toilet shall be Kohler Model K-3564-_____.

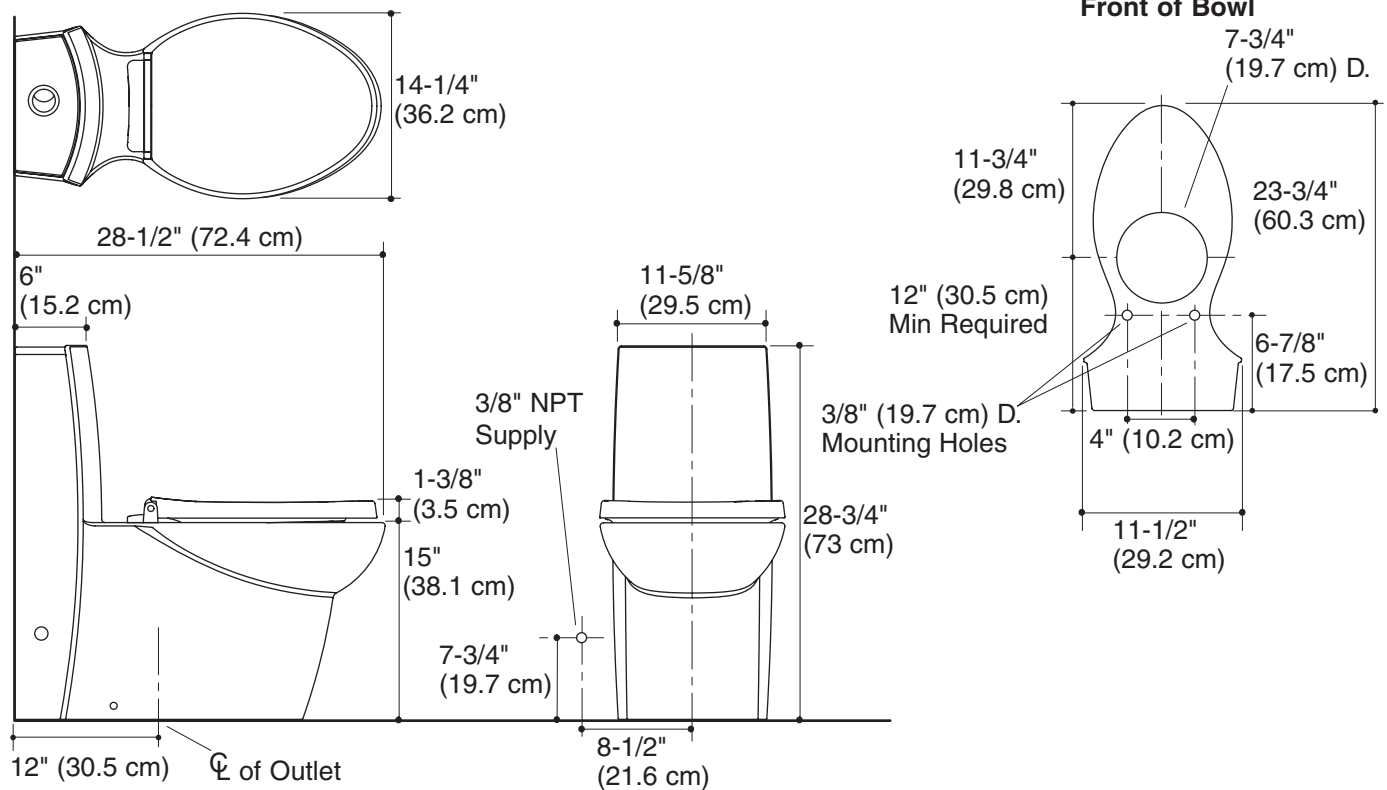
Technical Information

Fixture:	
Configuration	one-piece, elongated
Water per full flush	1.6 gal (6 L)
Water per half flush	0.8 gal (3 L)
Passageway	2-1/8" (5.4 cm)
Water area	4-1/8" (10.5 cm) x 5-1/8" (13 cm)
Seat post hole centers	5-1/2" (14 cm)

Included components:	
Seat	K-4748
Tank cover	1081363
Dual flush push button	1072961-CP

Installation Notes

Install this product according to the installation guide.



Product Diagram