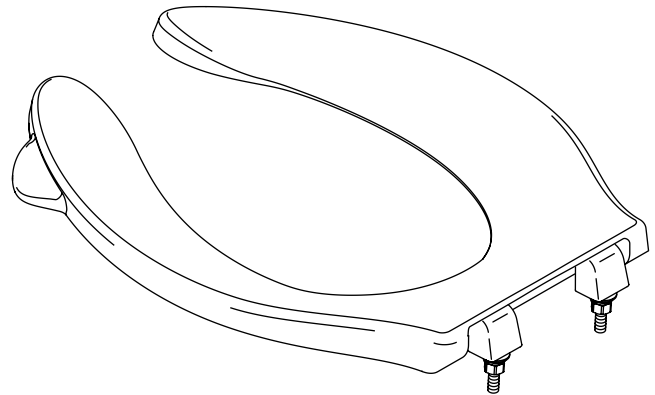


COMMERCIAL TOILET SEAT K-4731

ADA

Features

- Solid polypropylene plastic
- Elongated open-front
- Ergonomic contour adds additional comfort
- Integrated handle allows user to easily raise and lower the ring
- Stainless steel hinge arms and hardware
- Less cover
- ADA compliant when installed with an ADA compliant toilet
- Anti-microbial agent inhibits growth of odor-causing bacteria, mold, and mildew [-CA, -GA, -SA]
- Check hinge stops seat from leaning back and applying pressure on tank/flushometer [-C, -CA]
- Self-sustaining check hinge prevents slamming with check hinge functionality [-SC, -SA]
- Quiet-Close™ check hinge will slowly close with check hinge functionality [-GC, -GA]



Codes/Standards Applicable

Specified model meets or exceeds the following:

- ADA
- ANSI Z124.5

Colors/Finishes

- 0: White
- 7: Black Black™
- Other: Refer to Price Book for additional colors/finishes

Specified Model

Model	Description	Colors/Finishes		
K-4731-C	Elongated open-front seat – check hinge	<input type="checkbox"/> 0	<input type="checkbox"/> 7	<input type="checkbox"/> Other_____
K-4731-CA	Elongated open-front seat – check hinge and anti-microbial agent	<input type="checkbox"/> 0		
K-4731-GC	Elongated open-front seat – Quiet-Close™ check hinge	<input type="checkbox"/> 0	<input type="checkbox"/> 7	<input type="checkbox"/> Other_____
K-4731-GA	Elongated open-front seat – Quiet-Close™ check hinge and anti-microbial agent	<input type="checkbox"/> 0		
K-4731-SC	Elongated open-front seat – self-sustaining check hinge	<input type="checkbox"/> 0	<input type="checkbox"/> 7	<input type="checkbox"/> Other_____
K-4731-SA	Elongated open-front seat – self-sustaining check hinge and anti-microbial agent	<input type="checkbox"/> 0		

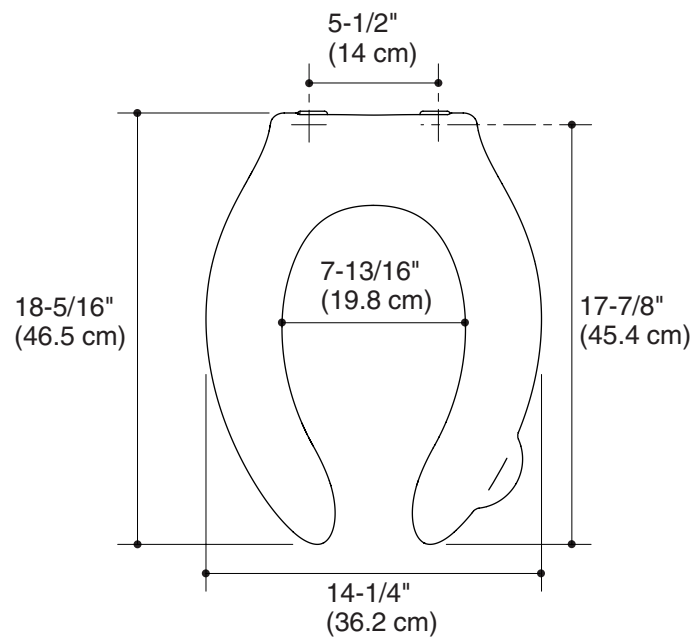
Product Specification

The elongated open-front toilet seat shall be made of solid polypropylene plastic. Product shall be less cover. Product shall have stainless steel hinge arms and hardware. Product shall feature an ergonomic contour which adds additional comfort. Product shall feature an integrated handle which allows the user to easily raise and lower the ring. Product shall feature an anti-microbial agent which inhibits growth of odor-causing bacteria, mold, and mildew [-CA, -GA, -SA]. Product shall feature a check hinge which stops the seat from leaning back and applying pressure on the tank/flushometer [-C, -CA]. Product shall feature a self-sustaining check hinge which prevents slamming with check hinge functionality [-SC, -SA]. Product shall feature a Quiet-Close™ check hinge which will slowly close with check hinge functionality [-GC, -GA]. Product shall be ADA compliant when installed with an ADA compliant toilet. Toilet seat shall be Kohler Model K-4731-____-____.

STRONGHOLD®

Installation Notes

Install this product according to the installation guide.



Product Diagram