

**WALL-MOUNT LAVATORY FAUCET
K-6269**

Features

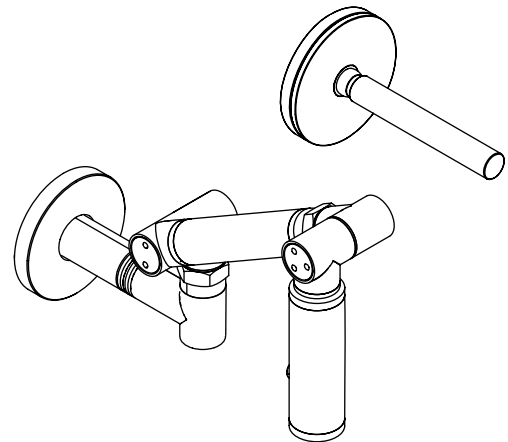
- Metal and carbon fiber construction
- Articulating spout
- One-piece, self-contained ceramic disc valve allows both volume and temperature control
- Wall-mount installation
- 1.5 gpm (5.7 lpm) maximum flow rate
- 2" (5.1 cm) diameter valve with remote lever handle
- 1-1/2" (3.8 cm) to 6" (15.2 cm) spout reach



Codes/Standards Applicable

Specified model meets or exceeds the following:

- ADA
- ASME A112.18.1/CSA B125.1
- ICC/ANSI A117.1
- NSF 61
- Energy Policy Act of 1992
- EPA WaterSense®



Colors/Finishes

- CP: Polished Chrome
- Other: Refer to Price Book for additional colors/finishes

Specified Model

Model	Description	Colors/Finishes	
K-6269-C11	Wall-mount lavatory faucet with silver tube	<input type="checkbox"/> CP	<input type="checkbox"/> Other _____
K-6269-C12	Wall-mount lavatory faucet with black tube	<input type="checkbox"/> CP	<input type="checkbox"/> Other _____

Product Specification

The wall-mount lavatory faucet shall be made of metal and carbon fiber construction. Product shall have a maximum flow rate of 1.5 gallons (5.7 L) per minute with an articulating spout. Product shall feature a one-piece, self-contained ceramic disc valve, which allows both volume and temperature control. Product shall feature a 2" (5.1 cm) diameter valve with remote lever handle and a 1-1/2" (3.8 cm) to 6" (15.2 cm) spout reach. Product shall be for a wall-mount installation. Faucet shall be Kohler Model K-6269-____.

KARBON®

Installation Notes



WARNING: Risk of property damage. For exterior wall installations, ensure proper wall insulation to prevent frozen pipes.

NOTICE: Do not locate the faucet in close proximity to a direct heat source or use the faucet as a pot filler. Exposure to excessive heat will damage the integral sprayhead and spout joints and may cause severe discoloration to the carbon fiber tubing.

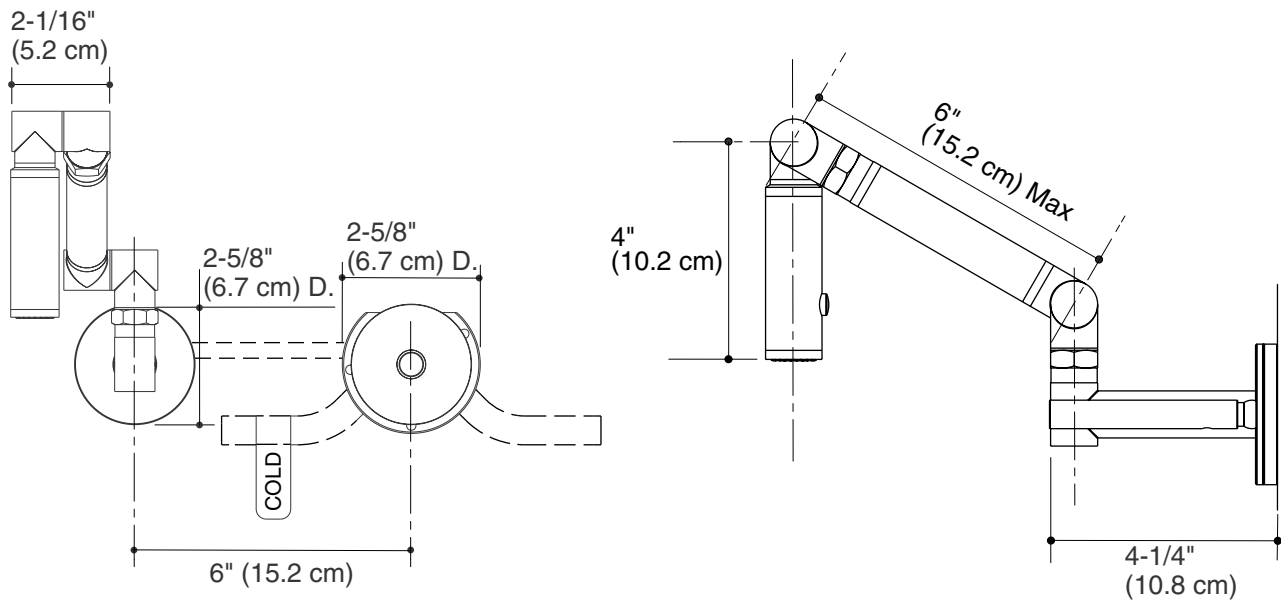
Special framing and support considerations are required to mount the wall-mount valve.



WARNING: Risk of property damage. Before finishing the wall, ensure the supply lines are connected to the mixer valve with the **cold** supply line plumbed on the **left** and the **hot** supply line plumbed on the **right**. Doing so will avoid replacing the finished wall due to error.

Install this product according to the installation guide.

One 2-1/8" (5.4 cm) diameter cutout hole is required for the valve. One 1" (2.5 cm) diameter cutout hole is required for the spout.



Product Diagram