

UNDERCOUNTER SINK K-6662

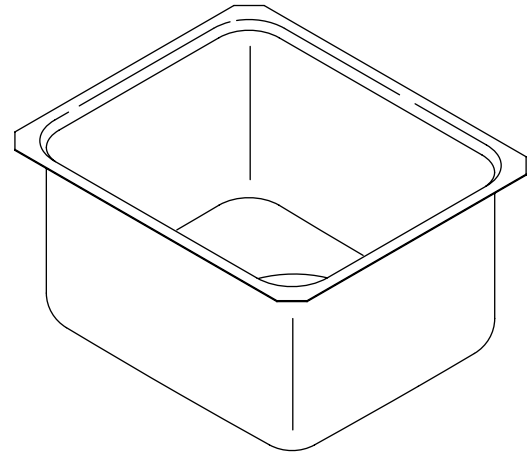
Features

- 18-gauge stainless steel
- Undercounter
- Single compartment
- Includes installation hardware
- 15-1/4" (38.7 cm) x 12-3/4" (32.4 cm)

Codes/Standards Applicable

Specified model meets or exceeds the following:

- ASME A112.19.3
- IAPMO/UPC



Colors/Finishes

- NA: None applicable

Accessories

- 0: White
- CP: Polished Chrome
- NA: None applicable
- Other: Refer to Price Book for additional colors/finishes

Specified Model

Model	Description	Colors/Finishes	
K-6662	Undercounter sink	<input type="checkbox"/> NA	
Optional Accessories			
K-8801	Duostrainer® sink strainer	<input type="checkbox"/> CP	<input type="checkbox"/> Other_____
K-8813	Stainless steel sink strainer	<input type="checkbox"/> CP	
K-8814	Stainless steel sink strainer	<input type="checkbox"/> CP	

Product Specification

The undercounter sink shall be 15-1/4" (38.7 cm) in length and 12-3/4" (32.4 cm) in width. Sink shall be made of 18-gauge stainless steel. Sink shall be single compartment and shall include installation hardware. Sink shall be Kohler Model K-6662.

UNDERTONE®

Technical Information

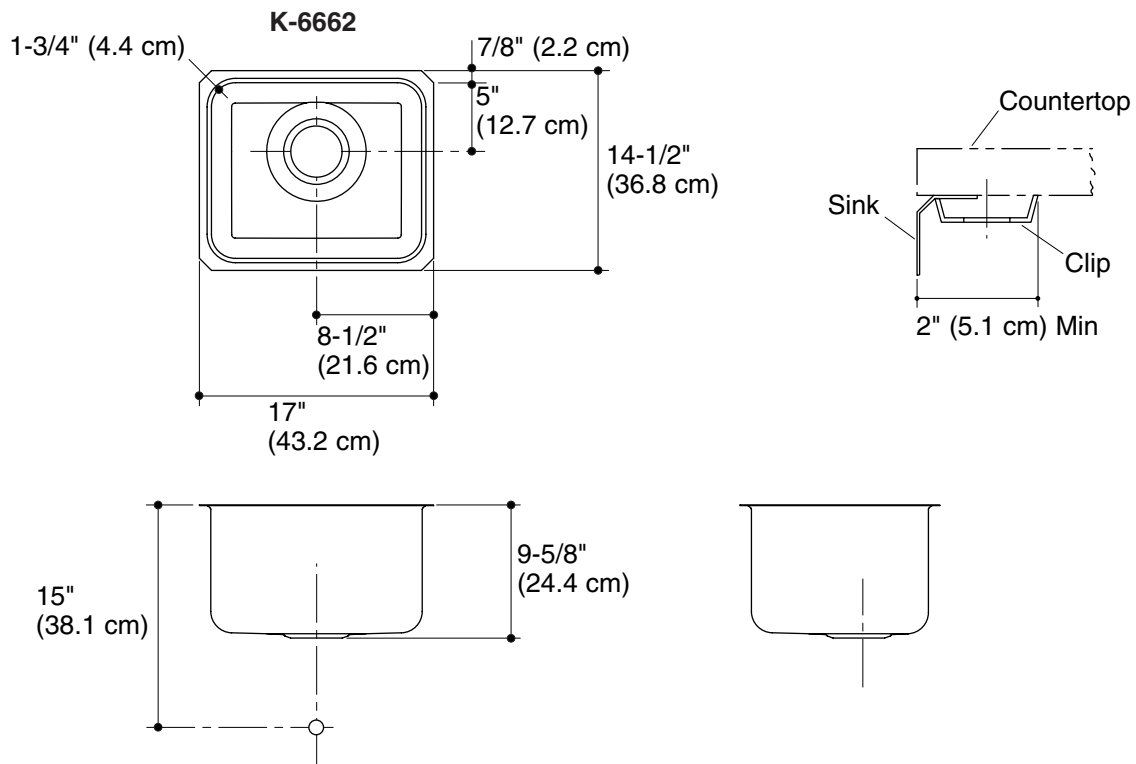
Fixture*:	
Basin area	15-1/4" (38.7 cm) x 12-3/4" (32.4 cm)
Water depth	9-1/4" (23.5 cm)
Drain hole	3-5/8" (9.2 cm) D.
* Approximate measurements for comparison only.	

Included components:	
Hardware kit	91915
Cut-out template	1079117-7

Installation Notes

Install this product according to the installation guide.

Allow a minimum of 2" (5.1 cm) clearance around the sink rim for clip attachment.



Product Diagram