

### Features

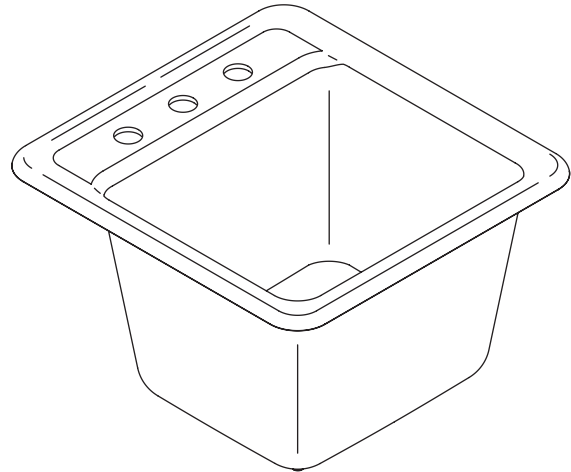
- KOHLER cast iron
- Acid-resistant enamel finish
- Single compartment
- 23" (58.4 cm) undermount sink kit included
- Undercounter
- 1-hole (-1U), 2-hole (-2U), or 3-hole (-3U)
- 21" (53.3 cm) x 22" (55.9 cm)

### Codes/Standards Applicable

Specified model meets or exceeds the following:

- IAPMO/UPC
- ASME A112.19.1

## UNDERCOUNTER UTILITY SINK K-6655



### Colors/Finishes

- 0: White
- Other: Refer to Price Book for additional colors/finishes

### Accessories

- CP: Polished Chrome

### Specified Model

| Model                          | Description                | Colors/Finishes             |                                      |
|--------------------------------|----------------------------|-----------------------------|--------------------------------------|
| K-6655-1U                      | 1-hole sink                | <input type="checkbox"/> 0  | <input type="checkbox"/> Other _____ |
| K-6655-2U                      | 2-hole sink                | <input type="checkbox"/> 0  | <input type="checkbox"/> Other _____ |
| K-6655-3U                      | 3-hole sink                | <input type="checkbox"/> 0  | <input type="checkbox"/> Other _____ |
| <b>Recommended Accessories</b> |                            |                             |                                      |
| K-9000                         | P-Trap                     | <input type="checkbox"/> CP |                                      |
| <b>Optional Accessories</b>    |                            |                             |                                      |
| K-8801                         | Duostrainer® sink strainer | <input type="checkbox"/> CP |                                      |

### Product Specification

The undercounter utility sink shall be 21" (53.3 cm) in length and 22" (55.9 cm) in width. Sink shall be made of cast iron with acid-resistant enamel finish. Sink shall be single compartment. Sink shall be 1-hole (-1), 2-hole (-2), or 3-hole (-3). Sink shall include 23" (58.4 cm) undermount sink kit. Sink shall be Kohler Model K-6655-\_\_\_\_\_-\_\_\_\_\_-\_\_\_\_\_.

# PARK FALLS™

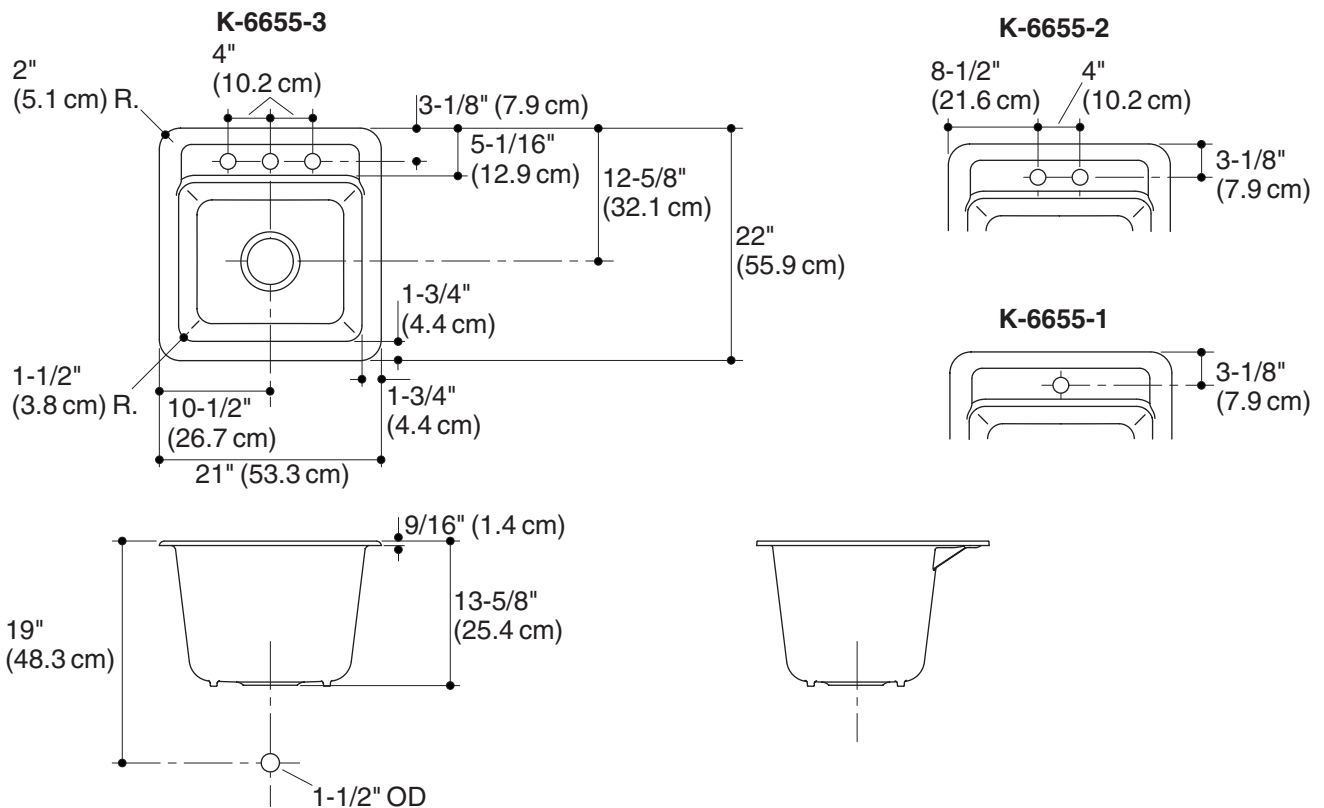
## Technical Information

|   |                                       |
|---|---------------------------------------|
| Fixture*:                                       |                                       |
| Basin area                                      | 17-1/2" (44.5 cm) x 15-1/4" (38.7 cm) |
| Water depth                                     | 12-1/2" (31.8 cm)                     |
| Drain holes                                     | 3-5/8" (9.2 cm) D.                    |
| Faucet holes                                    | 2-3/8" (6 cm) D.                      |
| * Approximate measurements for comparison only. |                                       |

|                                   |           |
|-----------------------------------|-----------|
| Included components:              |           |
| Cut-out template                  | 1079985-7 |
| 23" (58.4 cm) undermount sink kit | 1054375   |

## Installation Notes

Install this product according to the installation guide.



## Product Diagram