

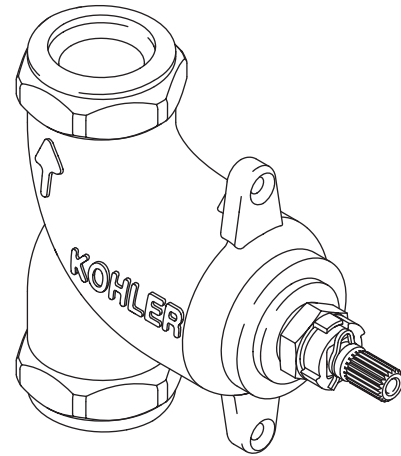
Features

- Brass construction
- Wall-mount
- Brass valve body
- 1/2" or 3/4" quarter-turn washerless ceramic disc valve
- 1/2" or 3/4" NPT connections
- Single-handle control
- Intended for use with Kohler® thermostatic mixer valving

Codes/Standards Applicable

Specified model meets or exceeds the following:

- ASME A112.18.1
- CSA B125
- IAPMO/UPC



Colors/Finishes

- NA: None applicable

Specified Model

Model	Description	Colors/Finishes
K-671-K	3/4" volume control valve	<input type="checkbox"/> NA
K-681-K	1/2" volume control valve	<input type="checkbox"/> NA

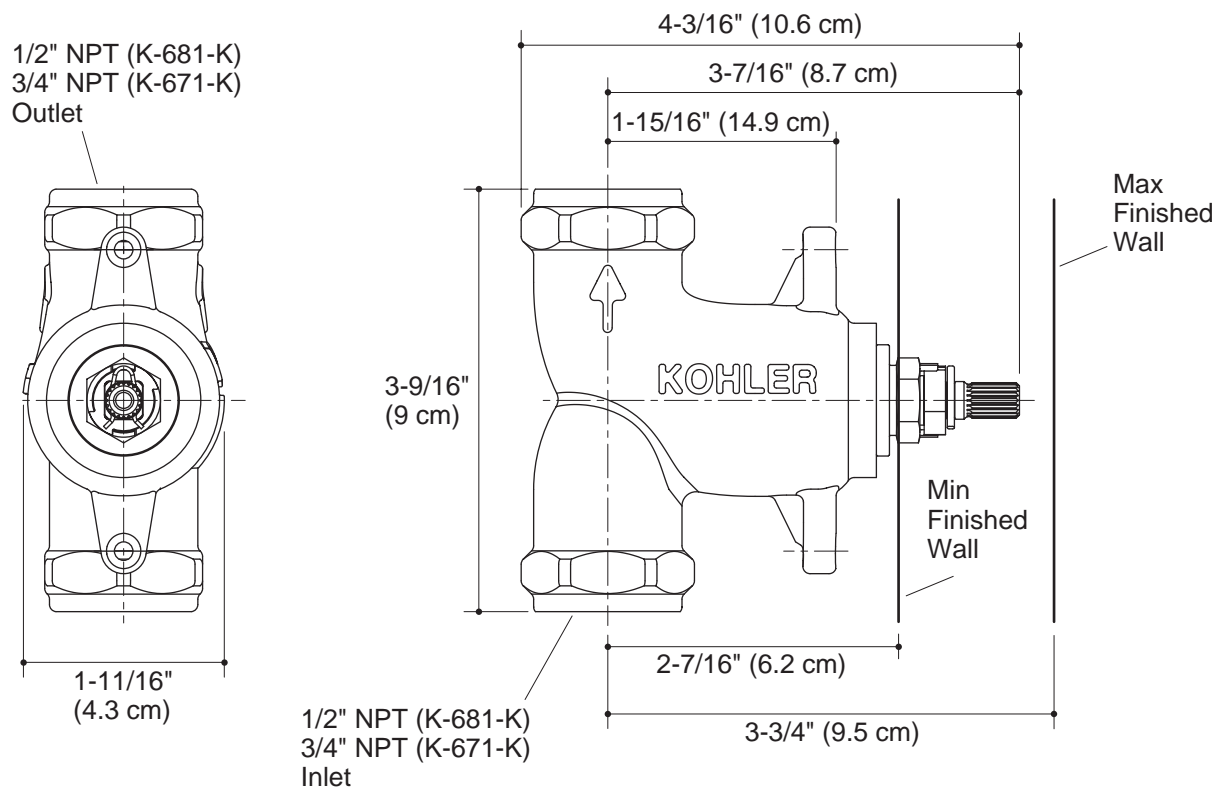
Product Specification

Single-handle wall-mount volume control valve shall be of brass construction. Product shall feature a 1/2" or 3/4" quarter-turn washerless ceramic disc valve, assuring positive handle stop positioning. Product shall be available with 1/2" or 3/4" NPT connections. Product shall feature a brass valve body. Product is intended for use with Kohler thermostatic mixer valving. Product shall be Kohler Model K-____-K-NA.

MASTERSHOWER™

Installation Notes

Install this product according to the installation guide.



Product Diagram